

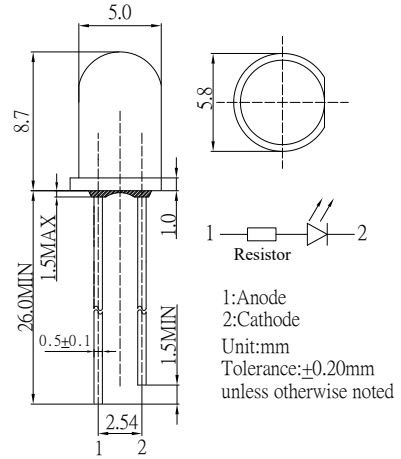
■ Features

- High Luminous LEDs
- 5mm Round Standard Directivity
- UV Resistant Epoxy
- Integral Current Limiting Resistor
- TTL Compatible (Requires No External Current Limiter With 12 Volt Supply)
- Cost Effective (Saves Space and Resistor Cost)
- Color Diffused / White Diffused (W, M only)

■ Applications

- Status Indicators
- Other Lighting

■ Outline Dimension

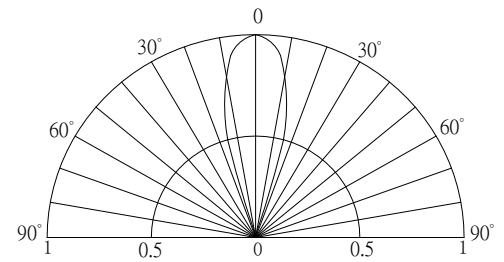


■ Absolute Maximum Rating

(Ta=25°C)

Item	Symbol	Value	Unit
DC Forward Voltage	V _F	15	V
Reverse Voltage	V _R	5	V
Power Dissipation	P _D	225	mW
Operating Temperature	Topr	-30 ~ +85	°C
Storage Temperature	Tstg	-30 ~ +85	°C
Lead Soldering Temperature	Tsol	260°C/5sec	-

■ Directivity



■ Electrical -Optical Characteristics (Ta=25°C)

Part Number	Emitting Color			I _F (mA)			I _v (mcd)*			λD(nm)*			2θ1/2(deg)
				Min	Typ.	Max.	Min.	Typ.	Max.	Min.	Typ.	Max.	Typ.
				V _F =12V			V _F =12V						
OSW5DK5A32A-12V	White	W		-	10	15	1560	2180	-	X=0.27, Y=0.28			30
OSM5DK5A32A-12V	Warm White	M	■	-	10	15	1120	1560	-	X=0.45, Y=0.41			30
OSB5SA5A34A-12V	Blue	B	■	-	10	15	500	750	-	465	470	475	30
OSG5DA5A34A-12V	Pure Green	PG	■	-	10	15	1120	1560	-	520	525	530	30
OSG8HA5A34A-12V	Yellow Green	YG	■	-	10	15	150	220	-	565	570	575	30
OSY5JA5A34A-12V	Yellow	Y	■	-	10	15	220	330	-	585	590	595	30
OSO5JA5A34A-12V	Orange	O	■	-	10	15	220	330	-	600	605	610	30
OSR5JA5A34A-12V	Red	R	■	-	10	15	220	330	-	620	625	630	30

*1 Tolerance of measurements of chromaticity coordinates is ±10%

*2 Tolerance of measurements of dominant wavelength is ±1nm

*3 Tolerance of measurements of luminous intensity is ±15%

*4 Tolerance of measurements of forward voltage is ±0.1V