

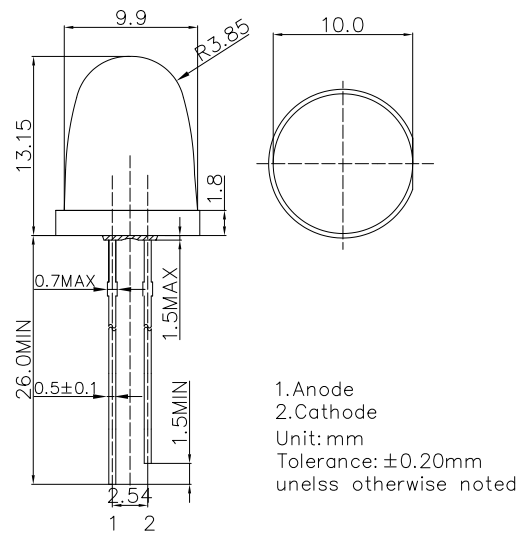
**■ Features**

- High Lumen LEDs
- 10mm Bullet Standard Directivity
- UV Resistant Epoxy
- Water Clear Type

**■ Applications**

- Advertising Board
- Horticulture Application
- Beauty Product

**■ Outline Dimension**

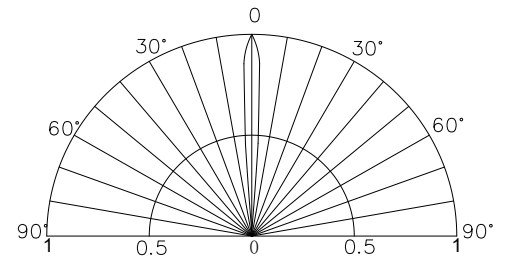


**■ Absolute Maximum Rating**

(Ta=25°C)

Item	Symbol	Value		Unit
		W/B/PG	Y/O/R	
DC Forward Current	I <sub>F</sub>	30	30	mA
Pulse Forward Current#	I <sub>FP</sub>	100	100	mA
Reverse Voltage	V <sub>R</sub>	5	5	V
Power Dissipation	P <sub>D</sub>	102	78	mW
Operating Temperature	T <sub>opr</sub>	-30 ~ +85		°C
Storage Temperature	T <sub>stg</sub>	-40 ~ +100		°C
Lead Soldering Temperature	T <sub>sol</sub>	260°C/5sec		-

**■ Directivity**



#Pulse width Max.10ms Duty ratio max 1/10

**■ Electrical -Optical Characteristics**

(Ta=25°C)

Part Number	Emitting Color			V <sub>F</sub> (V)*			I <sub>R</sub> (μA)	Φ <sub>v</sub> (LM)*			I <sub>v</sub> (mcd)*			Wd(nm)*/CCT(K)*			2θ1/2(deg)	
				Min.	Typ.	Max.		Max.	Min.	Typ.	Max.	Min.	Typ.	Max.	Min.	Typ.		Max.
				I <sub>F</sub> =30mA				V <sub>R</sub> =5V	I <sub>F</sub> =30mA									
OSW44PA201A	Pure White	W		-	2.9	3.4	10	8.5	10	-	100000	120000	-	5500-8500K(X:0.31,Y:0.33)			8	
OSM54PA201A	Warm White	M	■	-	2.9	3.4	10	8.5	10	-	100000	120000	-	2700-3200K(X:0.44,Y:0.41)			8	
OSB56PA201A	Blue	B	■	-	2.9	3.4	10	2.5	3.0	-	43000	50000	-	465	470	475	8	
OSG5GPA201A	Pure Green	PG	■	-	2.9	3.4	10	9	10	-	120000	140000	-	520	525	530	8	
OS5YKPA201A	Yellow	Y	■	-	2.1	2.6	10	3.5	4.5	-	85000	100000	-	585	590	595	8	
OS5OKPA201A	Orange	O	■	-	2.1	2.6	10	3.5	4.5	-	85000	100000	-	600	605	610	8	
OS5RKPA201A	Red	R	■	-	2.1	2.6	10	3.5	4.5	-	85000	100000	-	620	625	630	8	

\*1 Tolerance of measurements of chromaticity coordinate is ±10%

\*2 Tolerance of measurements of dominant wavelength is ±1nm

\*3 Tolerance of measurements of luminous flux is ±15%

\*4 Tolerance of measurements of forward voltage is ±0.1V