

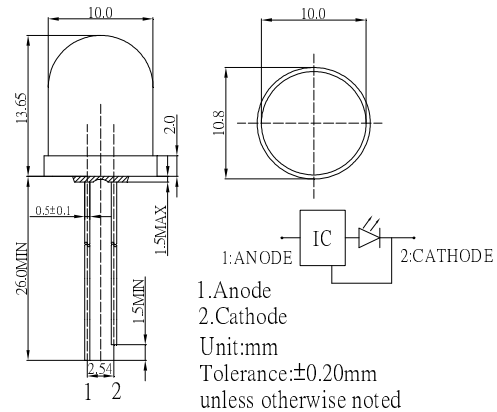
### ■Features

- High Luminous Flux
- 10mm Round Standard Directivity
- Superior UV Resistance
- 1.8Hz 1/2 Duty Cycle Flashing Type
- Water Clear Type

### ■Applications

- Electronic Signs And Signals
- Small Area Illuminations
- Back Lighting
- Other Lighting

### ■Outline Dimension

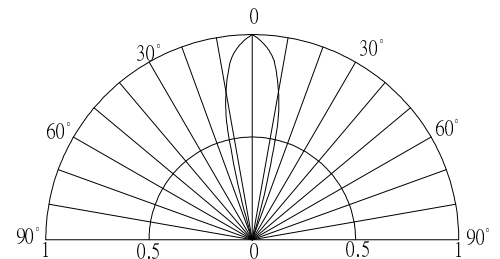


### ■Absolute Maximum Rating

(Ta=25°C)

Item	Symbol	Value	Unit
Power Supply	Voltage	5	V
Duty Cycle	Duty	1/2	-
Operating Temperature	Topr	-30 ~ +85	°C
Storage Temperature	Tstg	-40~ +100	°C
Lead Soldering Temperature	Tsol	260°C/5sec	-

### ■Directivity



### ■Electrical -Optical Characteristics (Ta=25°C)

Part Number	Color		VF (V)*			Iv(mcd)*			λD(nm)/CCT(K)*			Fled (Hz)*	2θ1/2(deg)
			Min.	Typ.	Max.	Min.	Typ.	Max.	Min.	Typ.	Max.	Typ.	Typ
			IF =20mA			IF =20mA							
OSW5DSA131A	Cool White	W	3.0	3.5	5.0	7000	8400	-	CCT:8000-18000K			1.8	30
OSM5DSA131A	Warm White	M	3.0	3.5	5.0	7000	8400	-	CCT:2700-3200K				
OSB5SSA131A	Blue	B	3.0	3.5	5.0	2000	2500	-	465	470	475		
OSG5DSA131A	Pure Green	G	3.0	3.5	5.0	7000	8400	-	520	525	530		
OSY5MSA131A	Yellow	Y	3.0	3.5	5.0	5800	6500	-	585	590	595		
OSO5JSA131A	Orange	O	3.0	3.5	5.0	1560	2180	-	600	605	610		
OS5OGSA131A	Orange	O	3.0	3.5	5.0	12000	14400	-	600	605	610		
OSR5MSA131A	Red	R	3.0	3.5	5.0	5800	6500	-	620	625	630		

\*1 Tolerance of measurements of chromaticity coordinates/CCT is ±10%

\*2 Tolerance of measurements of dominant wavelength is ±1nm

\*3 Tolerance of measurements of luminous intensity is ±15%

\*4 Tolerance of measurements of forward voltage is ±0.1V

\*5 Tolerance of measurements of frequency is ±20%

LED & Application Technologies

