



**■Description**

- 100pcs standard 5mm LED are supplied in a storage box
- Easy to use and storage
- Widely applied to DIY projects, school science experiments, car decorations, etc.

**■Features**

- 5mm round standard 30° directivity
- UV resistant epoxy
- Red color
- Color diffused

**■Absolute Maximum Rating (Ta=25°C)**

Item	Symbol	Value	Unit
		Red	
DC Forward Current	I <sub>F</sub>	30	mA
Pulse Forward Current#	I <sub>FP</sub>	100	V
Reverse Voltage	V <sub>R</sub>	5	mW
Power Dissipation	P <sub>D</sub>	72	°C
Operating Temperature	Topr	-30 ~ +85	°C
Storage Temperature	Tstg	-40~ +100	-
Lead Soldering Temperature	Tsol	260°C/5sec	Unit

#Pulse width Max.10ms Duty ratio max 1/10

**■Electrical -Optical Characteristics (Ta=25°C)**

5mm LED	
<b>LED P/N</b>	OSR65134A
Light Color	Red
Lens Color	Red Diffused
Wavelength*1	620-640nm
Luminous Intensity(typ.)*2	420mcd
Forward Voltage*3	1.8-2.4V
Forward Current	20mA
Viewing Angle(typ.)	30°
Quantity(pcs)/Box	100

\*1 Tolerance of measurements of dominant wavelength is ±1nm

\*2 Tolerance of measurements of luminous intensity is ±15%

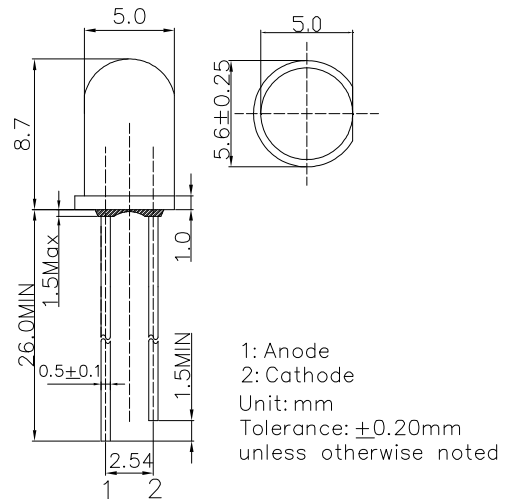
\*3 Tolerance of measurements of forward voltage is ±0.1V

**■Product Picture**

100pcs/Box (Dimensions: 90\*65\*30mm)



**■Outline Dimension**



**■Directivity**

