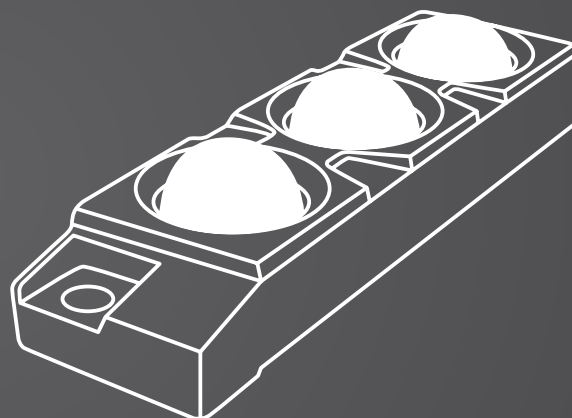


LEDDEX Value Line

LED Module for medium sized signage

- _ Wide lighting angle - 160°
- _ High luminous efficiency - 104 lm/W
- _ CC driver
- _ 3 years warranty
- _ Narrow and slim body
- _ Can be cut between every module

3 YEAR
WARRANTY



LMV-LMID-S-X3

GENERAL INFORMATION

FEATURES

- _ High reliability LEDs
- _ High luminous efficiency - 104 lm/W
- _ Wide lighting angle lens - 160°
- _ Constant current driver (CC)
- _ Can be cut between every module
- _ Attached 3M double-sided adhesive tape

APPLICATIONS

- _ Typically used in medium sized signage
- _ Can depth/returns: 50 - 150 mm
- _ Medium sized light boxes
- _ Narrow letters
- _ Double-sided totems/pylons

VISUAL APPEARANCE



TECHNICAL SPECIFICATIONS

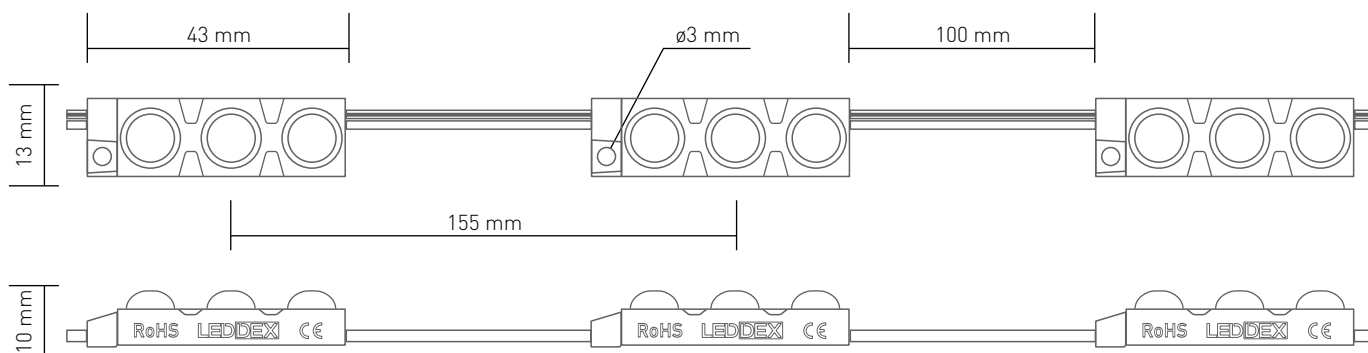
MAIN SPECIFICATIONS

Product code	LMV-LMID-S-W3	LMV-LMID-S-WW3
Available colors	white	warm white
Color temperature, K	7000-8000K	3000-3500K
Power, W	0.72W	0.72W
Typical luminous flux, lm	75 lm	70 lm
LED Type	3014	
Dimensions	43 x 13 x 10 mm	
Protection class	IP65 - fully enclosed body	

OTHER SPECIFICATIONS

Drivers	Constant current (CC), Dimming: available
Working temperature	-30C° ~ +50C°
Cable length	Cable: 100 mm, Between centers: 155 mm
Mounting	Double-sided adhesive tape and mounting hole
Packaging	100 pcs. per bag, 2000 pcs. per outer carton

TECHNICAL DRAWING



LMV-LMID-S-X3

LAYOUT AND SIZE COMPARISON

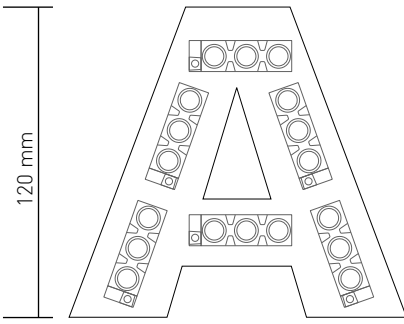
DEPTH RECOMMENDATION

VALUE SERIES LED MODULES

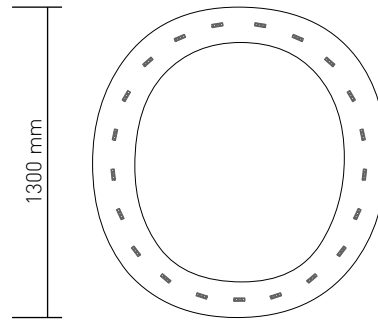
Product	Letter / Lightbox / Projector sign depth, mm																								
	40	50	60	70	80	90	100	110	120	130	140	150	160	170	180	190	200	210	220	230	240	250			
LMV-MINI-X2	◆	◆	◆																						
LMV-LMIN-S-X1	◆	◆	◆	◆	◆																				
LMV-LMID-S-X3		◆	◆	◆	◆	◆	◆	◆	◆	◆	◆	◆	◆	◆											
LMV-LMAX-X3								◆	◆	◆	◆	◆	◆	◆	◆	◆	◆	◆	◆	◆	◆	◆	◆		

LAYOUT EXAMPLE

LMV-LMID-S-X3 LED MODULE



Height: 120 mm
Stroke: 40 mm
Depth: 60 mm
Brightness: ~4200 lx
Typeface: Arial Black



Height: 1200 mm
Stroke: 150 mm
Depth: 100 mm
Brightness: ~1050 lx
Typeface: Helvetica

SIZE COMPARISON

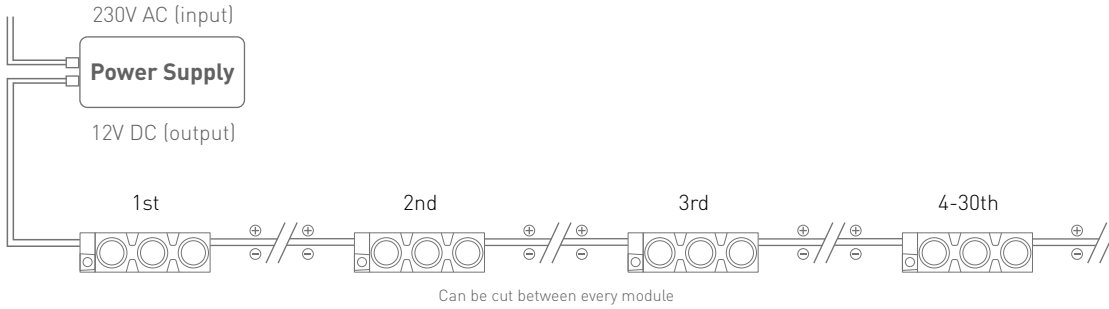
VALUE SERIES LED MODULES

Product	Actual proportions of the LED modules	
LMV-MINI-X2		
LMV-LMIN-S-X1		
LMV-LMID-S-X3		
LMV-LMAX-X3		

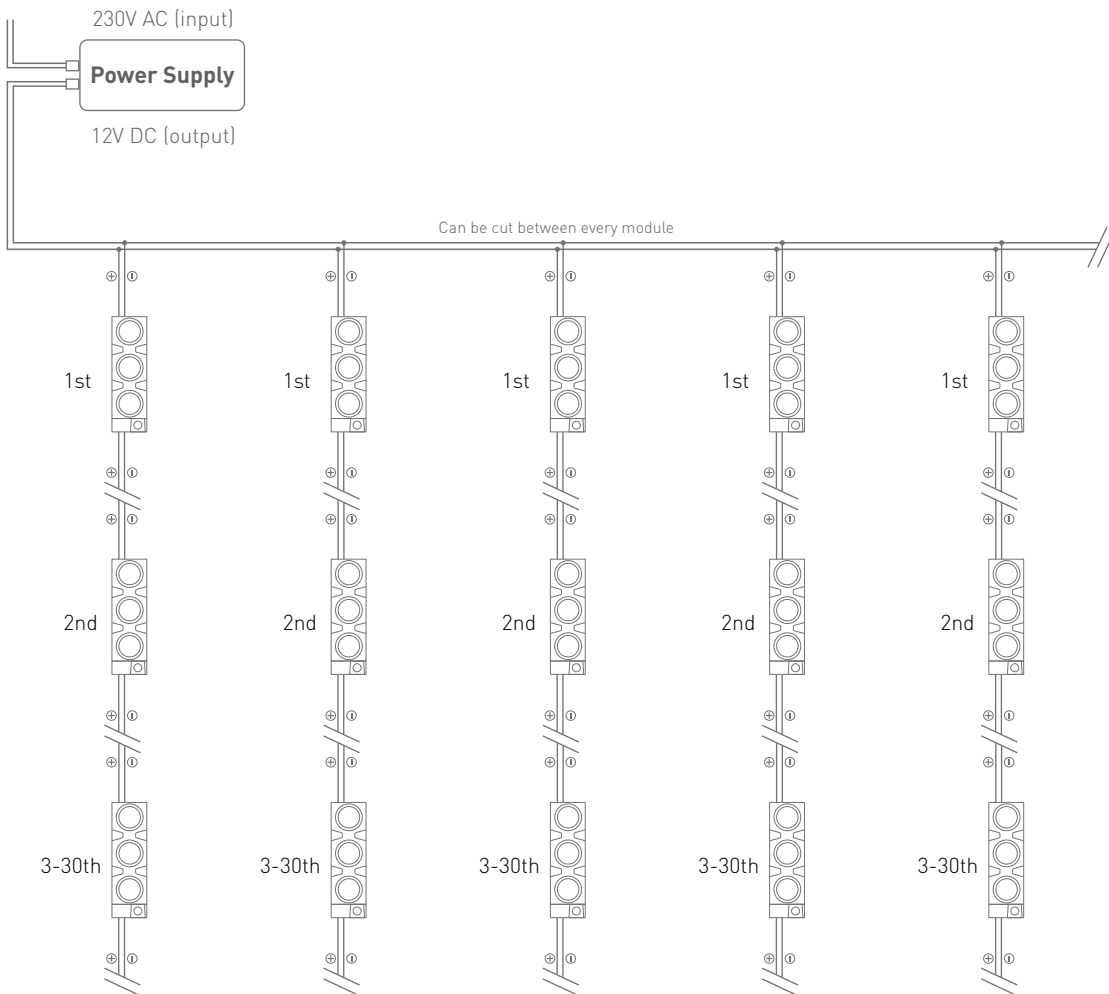
LMV-LMID-S-X3

CONNECTION IN SERIES AND PARALLEL

CONNECTION IN SERIES



CONNECTION IN PARALLEL



LMV-LMID-S-X3

_POWER SUPPLIES AND PACKAGING

POWER SUPPLIES

MAX. NO. OF MODULES PER POWER SUPPLY

Product	LPS-12V18W Power: 18W	LPS-12V60W Power: 60W	LPS-12V100W Power: 102W
LMV-MINI-X2 (0.3W per pc.)	50	167	278
LMV-LMIN-S-X1 (0.36W per pc.)	42	140	233
LMV-LMID-S-X3 (0.72W per pc.)	21	69	117
LMV-LMAX-X3 (1.20W per pc.)	13	42	70

PACKAGING

NO. OF MODULES PER PACKAGE

Product	Plastic bag	Outer carton
LMV-MINI-X2	500	10000
LMV-LMIN-S-X1	180	1980
LMV-LMID-S-X3	100	2000
LMV-LMAX-X3	30	1500

