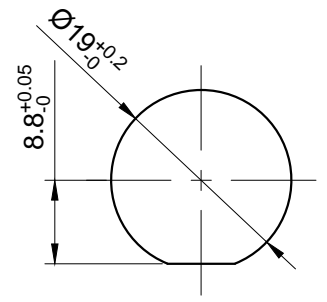
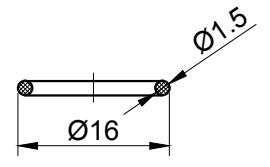


5	FOR 客户名称	6	APPROVED 客户确认签字	7	ATTN 销售负责人

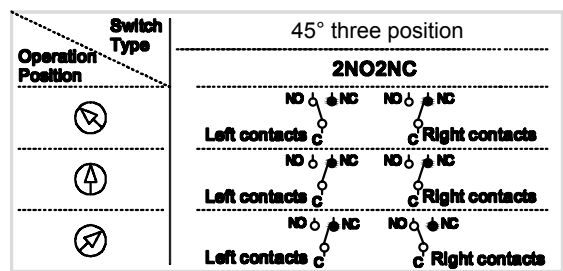


PANEL CUTOUT
MAX.PANEL THICKNESS
10 mm



Seal Ring

Contact Composition



Part Number: LAS1-AGQP-□Y/◆●/S

"□"	Contact structure	"◆"	Operation position	"●"	Operation type
22	2NO 2NC	3	Three Position	1	Maintain
				3	Return

SPECIFICATIONS:

- 1.Switch Rating: AC220V/0.5A, DC110V/0.1A.
- 2.Mechanical Life: ≥200,000cycles.
- 3.Electrical Life: ≥50,000cycles.
- 4.Contact Resistance: ≤50mΩ.
- 5.Insulation Resistance: ≥1,000MΩ.
- 6.Dielectric Strength: 1,500V, RMS 50Hz, 1min.
- 7.Operating Temperature: -25°C~ +55°C(No Freezing).
- 8.Torque: About 0.8Nm max.applied to nut.
- 9.IP Class: IP40,IP65(Maintain can made to order).
- 10.Terminal Type: Pin Terminal(2.8 x 0.5mm).

MATERIALS:

- 1.Contact: Silver alloy.
- 2.Head: Stainless Steel.
- 3.Body: Stainless Steel.
- 4.Base: PBT.

BRAND 品牌	ONPOW	红波按钮制造有限公司 ONPOW PUSH BUTTON MANUFACTURE CO.,LTD.			
THESE DRAWINGS AND SPECIFICATIONS ARE THE PROPERTY OF ONPOW PUSH BUTTON MANUFACTURE CO.,LTD. AND SHALL NOT BE REPRODUCED COPIED OR USED IN ANY MANNER WITHOUT THE PRIOR WRITTEN CONSENT OF ONPOW PUSH BUTTON MANUFACTURE CO.,LTD.		USED 用途	APPD 审核	CH	2020/04/30
		FINISH 处理	CHKD 校对	NCH	2020/04/30
		SCALE 比例	1.2 / 1	UNIT 单位	mm
		DR. 制图	ZPD	2020/04/30	
DIMENSIONS		TOLERANCE		TITLE 名称	
0.00 TO 18.00mm		±0.43mm		GQ Series Anti-vandal push button	
18.01 TO 30.00mm		±0.52mm		DWG NO. 图号	
30.01 TO 50.00mm		±0.62mm		LAS1-AGQP-Y (三位置)	
50.01 TO 80.00mm		±0.74mm		SIZE 图纸	
				A4	
FILE NAME 档案名称		LAS1-AGQ-Y.DWG	SHEET 张	1 / 1	REV. 更改
					1