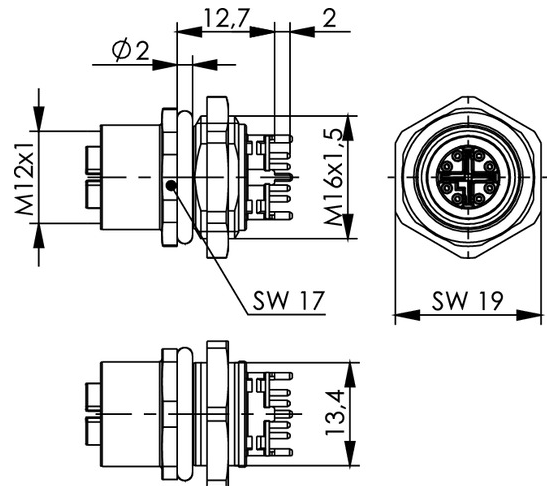


order number: J80020A0122

STX M12x1 BS X-cod. Cat.6_A, BS8X180-1-4THR127FM000



Fig. may differ



Technical Attributes	
Description	STX M12x1 BS X-cod. Cat.6 _A
Short name	BS8X180-1-4THR127FM000
Type	8 pole, X-coded, straight, 1pc. design, screen connection quad, solder connection THR, gap to PCB 12,7 mm, front mounting

Mechanical Characteristics	
Durability (Matings)	≥ 100
Core Diameter	0,9 - 1,6 mm
Cu-Conductor diameter: stranded	0.46 - 0.76 mm (AWG27 - 22/7)
Cu-Conductor diameter: solid	0.51 - 0.64 mm (AWG24 - 22/1)
Insertion force	≤ 30 N
Material: contacts	CuSn
Material: wire pair presorting	PA UL94 V0

Material: shield	German silver
Material: pressure screw	brass nickel-plated
Material: housing	zinc diecast nickel plated / brass nickel plated
Material: contact body	PA
Material: contacts	CuSn
Material: contact finish	Au
Material: seal	FKM; NBR

Electrical Characteristics	
PoE+ acc to IEEE 802.3at	Adequate for Power over Ethernet+
Contact resistance	≤ 5 MΩ
Voltage proof: contact-contact	≥ 500 V, DC
Insulation resistance	≥ 100 MΩ
Voltage proof: contact-shield	≥ 500 V, DC

Standards	
Connectors	IEC 61076-2-109

Shock	50 g
Protection against particulate ingress	IP6X
Protection against water / immersion	IPX7
Ambient temperature	-40° C to +85° C

10 Gigabit Ethernet acc. to IEEE 802.3an	Adequate for 10 Gigabit Ethernet
Category 6 _A	ISO/IEC 11801; DIN EN 50173-1
Class E _A	ISO/IEC 11801; DIN EN 50173-1
Category 6A	ANSI/TIA/EIA-568-C.2