

IT FIT 60/220...240/1A2 CS L

ICUTRONIC IT FIT CS L (SELV) | Linear / Area Constant Current – Non dimmable



Product family features

- Output current up to 1600 mA
- Output power up to 75 W
- Low THD <15% @ full load
- Input voltage: 220 – 240 VAC
- Ambient temp range t_a : -25 to +50 °C
- Wide output voltage range
- Low LF-ripple < 5%
- Very high efficiency up to 87%
- Fixed output (no dimming)
- 5 years guarantee*

Product family benefits

- Flexible with 1 driver offers 4 output currents
- High quality light with very low ripple
- Very high efficiency up to 87%
- Enable slim fixture design with flat 21 mm height metal housing
- Long lasting and high reliability
- SELV driver

Areas of application

- Linear and area lighting
- Office, industrial and shop lighting

Technical data

Electrical data

Nominal input voltage	220...240 V
Mains frequency	50/60 Hz
Input voltage AC	198...264 V
Input voltage DC	not relevant
Current set	DipSwitch
Total harmonic distortion	< 15 %
Power factor λ	0.83C...0.98
Efficiency in full-load	87 % ¹⁾
Device power loss	8.35 W ²⁾
Inrush current	13.6 A ³⁾
Max. ECG no. on circuit breaker 10 A (B)	15
Max. ECG no. on circuit breaker 16 A (B)	23
Surge capability (L/N-Ground)	2 kV
Surge capability (L-N)	1 kV
Nominal output voltage	23...54 V
U-OUT (working voltage)	< 60 V
Nominal output current	900 mA / 1050 mA / 1100 mA / 1200 mA ⁴⁾
Output current tolerance	±7.5 %
Output ripple current (100 Hz)	< 5 %
Output PSTLM	≤1
Output SVM	≤0.4
Nominal output power	20.7...61.2 W
Maximum output power	61.2 W
Galvanic isolation	SELV

1) at 230 V, 50 Hz

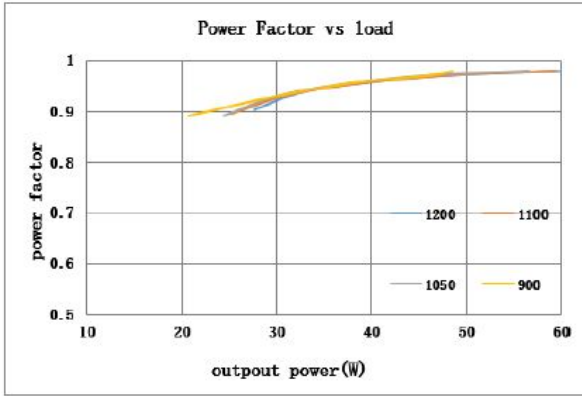
2) At 230 V, Input power 47 W max

3) $t_{width} = 220 \mu s$ typical (measured at 50 % I_{peak})

4) ±5%

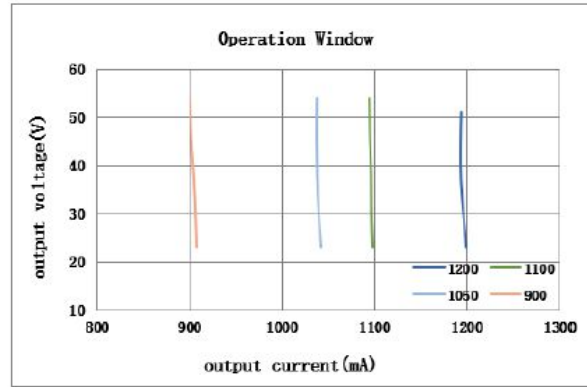
Typical Power Factor v Load

Typical Power factor vs load



Operating Window

Typical Operating window

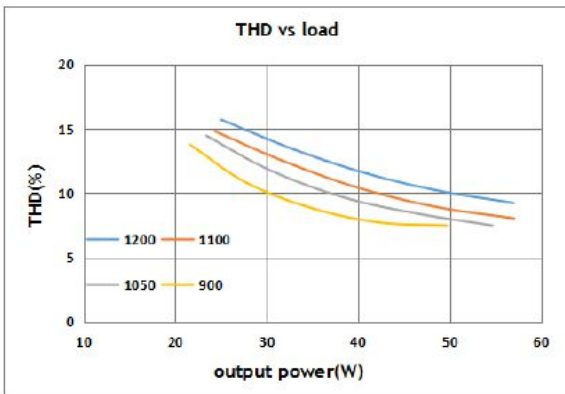


IT FIT 60/220-240/1A2 CS L

IT FIT 60/220-240/1A2 CS L

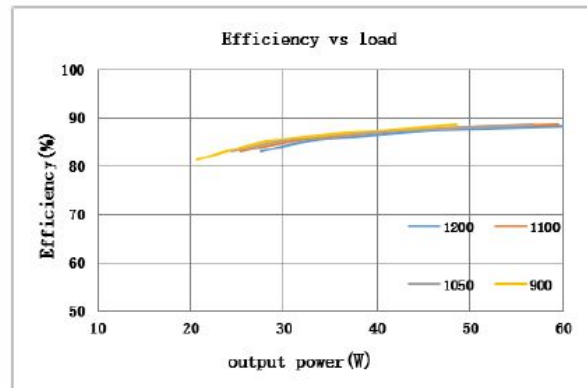
Typical THD v Load

Typical THD vs load



Typical Efficiency v Load 230 V 50 Hz

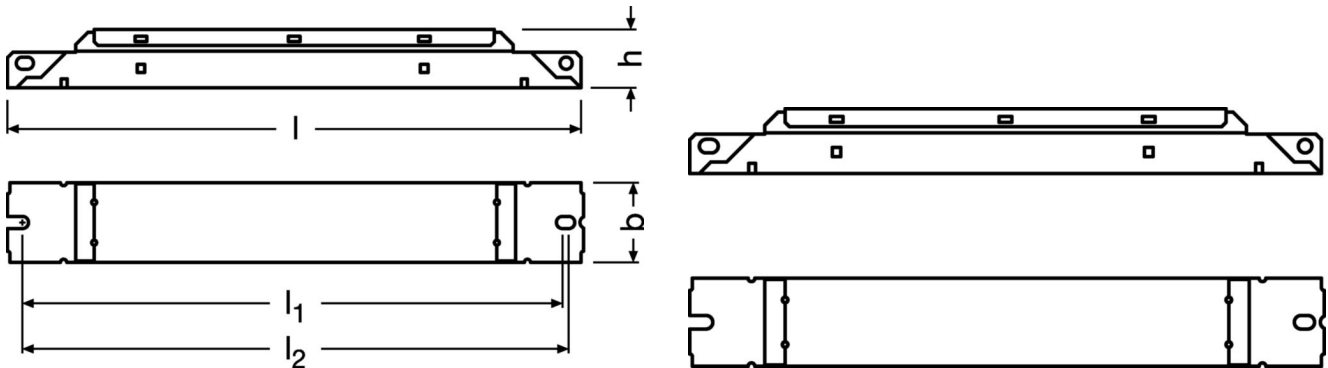
Typical Efficiency vs load



IT FIT 60/220-240/1A2 CS L

IT FIT 60/220-240/1A2 CS L

Dimensions & weight



Length	210.0 mm
Width	30.0 mm
Height	21.0 mm
Mounting hole spacing, length	200.0 mm
Cable cross-section, input side	0.5...1.5 mm ² / 0.75...1.5 mm ² ¹⁾
Cable cross-section, output side	0.5...1.5 mm ² / 0.75...1.5 mm ² ¹⁾
Wire preparation length, input side	7...8 mm
Wire preparation length, output side	7...8 mm
Product weight	139.50 g

1) Solid/ Flexible Leads

Colors & materials

Casing material	Metal
------------------------	-------

Temperatures & operating conditions

Ambient temperature range	-25...+50 °C
Maximum temperature at tc test point	75 °C
Max.housing temperature in case of fault	110 °C
Temperature range at storage	-25...80 °C
Permitted rel. humidity during operation	5...85 % ¹⁾

1) Maximum 56 days/year at 85 %

Lifespan

ECG lifetime	50000 h / 100000 h ¹⁾
---------------------	----------------------------------

1) At T_c = 75°C / 10% failure rate / At T_c = 65°C / 10% failure rate

Additional product data

Encapsulated	No
---------------------	----

Capabilities

Programming interface	Dipswitch
Dimmable	No
Constant lumen function	No
Max. cable length to lamp/LED module	2.0 m ¹⁾
Suitable for fixtures with prot. class	I / II
Type of connection, input side	Push terminal
Type of connection, output side	Push terminal
Number of channels	1
Overheating protection	Automatic reversible
Overload protection	Automatic reversible
Short-circuit protection	Automatic reversible
Intended for no-load operation	No
No-load proof	Yes

1) Output wires must be routed as close as possible to each other

Programming

Programming device	not relevant
Tuner4TRONIC	No

Certificates & standards

Approval marks – approval	CE / ENEC / CCC / RCM / BIS / TISI / EAC / UKCA ¹⁾
Standards	Acc. to IEC 61347-1 / Acc. to IEC 61347-2-13 / Acc. to IEC 62384 / Acc. to IEC 61000-3-2 / Acc. to IEC 61547 / Acc. to IEC 6100-4-5
Type of protection	IP20
Protection class	I,II

1) In preparation

Logistical data

Commodity code	85044083900
----------------	-------------

Environmental information

Information according Art. 33 of EU Regulation (EC) 1907/2006 (REACH)	
Date of Declaration	24-03-2024
Primary Article Identifier	4062172212724
Declaration No. in SCIP database	In work

Download Data

File		
Certificates	PDF	▶IT FIT CS L DEKRA 35 117749 080321
Certificates	PDF	▶IT FIT CS L CB NL 71241 080321
Certificates	PDF	▶IT FIT CS L CB NL 100907 231023
Certificates	PDF	▶IT FIT CS L DEKRA 35 120271 201123
Certificates	PDF	▶IT FIT 40 60 CS L CCC 2020171002003126 201123
Declarations of conformity	PDF	▶IT FIT CS L CE 4205372 161023
Declarations of conformity	PDF	▶IT FIT CS L UK DoC 4281081 040923

Ecodesign regulation information:

Intended for use with LED modules.

The forward voltage of the LED light source shall be within the defined operating window of the control gear in all operating conditions including dimming if applicable.

Separate control gear and light sources must be disposed of at certified disposal companies in accordance with Directive 2012/19/EU (WEEE) in the EU and with Waste Electrical and Electronic Equipment (WEEE) Regulations 2013 in the UK. For this purpose, collection points for recycling centres and take-back systems (CRSO) are available from retailers or private disposal companies, which accept separate control gear and light sources free of charge. In this way, raw materials are conserved and materials are recycled.

Logistical Data

Product code	Product description	Packaging unit (Pieces/Unit)	Dimensions (length x width x height)	Volume	Gross weight
4062172212724	IT FIT 60/220...240/1A2 CS L	Shipping carton box 20 Pieces	237 x 162 x 130 mm	4.99 dm ³	3099.00 g

The mentioned product code describes the smallest quantity unit which can be ordered. One shipping unit can contain one or more single products. When placing an order, for the quantity please enter single or multiples of a shipping unit

References / Links

References / Links

* For more information on the multi-level guarantee and the terms and conditions of the guarantee visit <https://www.inventronics-light.com/multilevel-guarantees>

Disclaimer

Subject to change without notice. Errors and omission excepted. Always make sure to use the most recent release.