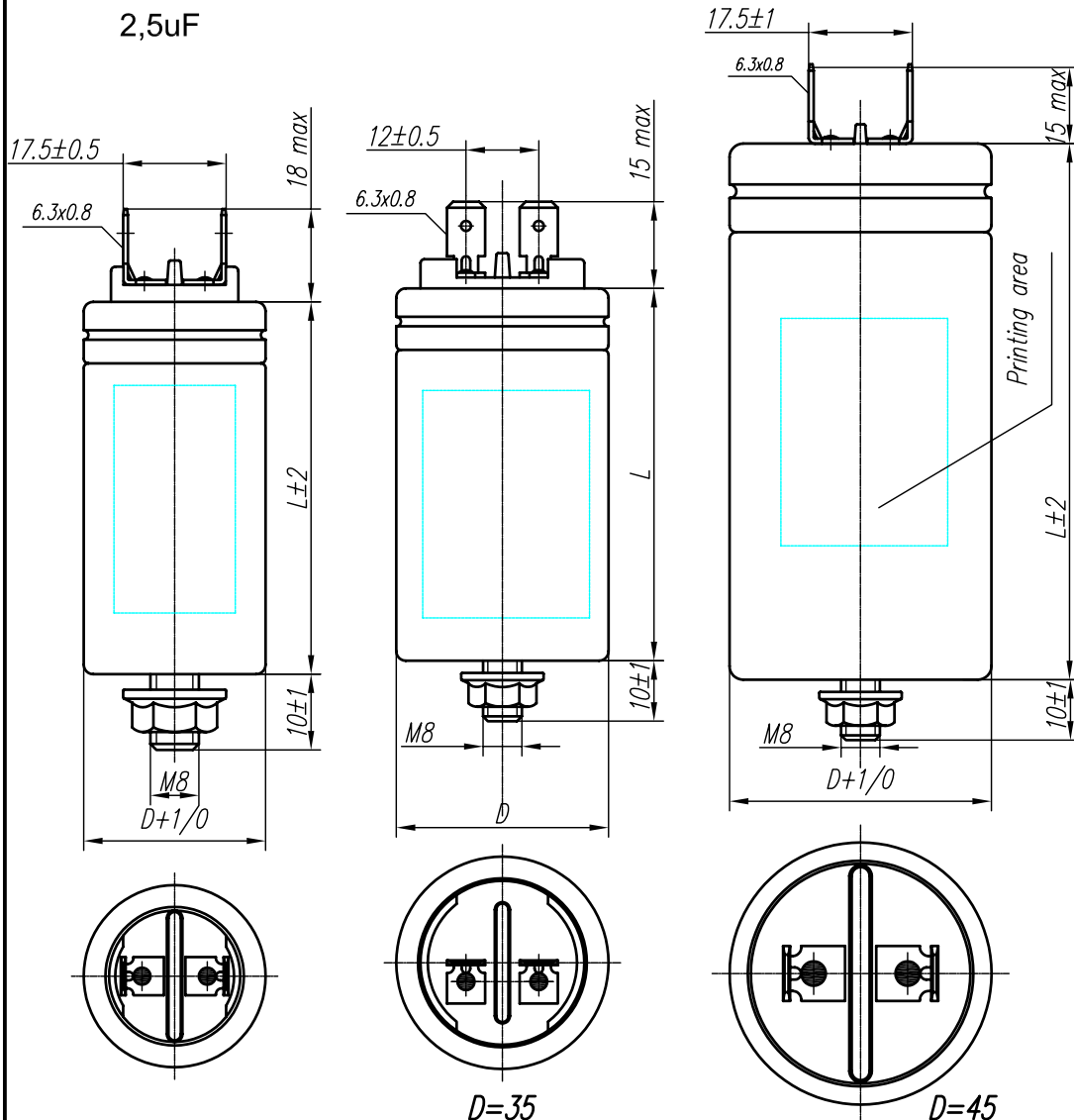


AC METALLIZED POLYPROPYLENE FILM CAPACITORS FOR MOTOR APPLICATIONS



Printing

MIFLEX
MKSP-I18
30µF±5%
400V~ kl.B
450V~ kl.C
50-60Hz
40/85/21 **30**
P2
EN 60252-1
VDE 560-8
H3

Capacitor dimensions

Capacitance	Capacitor dimensions	
	D ₀ ⁺¹	L±2
µF	mm	mm
2,5	25	62
15	35	75
25	45	88
30		
40		

TECHNICAL DATA:

Capacitance :

- Capacitance tolerance:

- Rated voltage U_R:

- Climatic category:

- Tangent of the loss angle:

- Dielectric strength:

between terminals

between terminals connected together and case

- Case:

- Specifications:

- Application class:

- Safety class:

- Protection degree:

- The capacitors meet the requirements of:

- This product fulfils the requirements of the RoHS Directive (2011/65/UE).

- acc. table

- ± 5% ,

- 400V / 450V -50Hz,

- 40/085/21 acc. to EN 60068-1,

- ≤0,0015 / U_R - 50Hz,

- 2 U_R - 2s,

- 2,5kV / 50Hz - 2s,

- aluminium,

- WT-04/MIFLEX/MKSP-I18,

- 400VAC -kl.B (10000h),450VAC -kl.C (3000h),

- P2,

- IP00,

- EN 60252-1, VDE 0560 part 8,

Upon customer's request these capacitors may be delivered without the hexagonal teathed flange nut.

MIFLEX S.A.

ZAKŁADY PODZESPOŁÓW RADIOWYCH
GRUNWALDZKA 3, 99-300 KUTNO, POLAND

Telephone: +48 24 355 11 00

Fax: +48 24 355 11 88

e-mail: miflexsa@miflex.com.pl

Revision date

09.09.2016

Page

10/10