

1

2

3

4

A

A

B

B

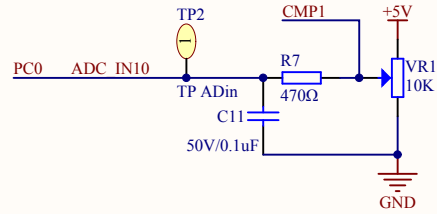
C

C

D

D

### ADC



**Company Name: GigaDevice**

**File Name: ADC**

Revision: 1.0

Data: 2015-11

Author: Xufei

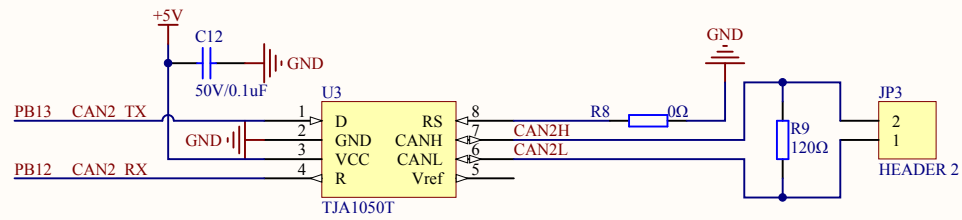
1

2

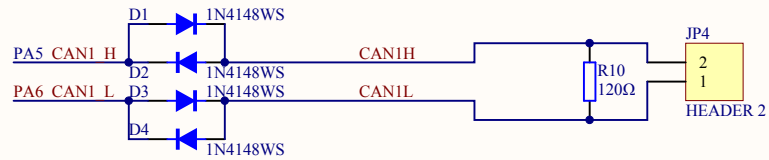
3

4

## CAN



PA5 is an AFIO, please refer to DAC schematic for right config



**Company Name: GigaDevice**

**File Name: CAN**

Revision: 1.0

Data: 2015-11

Author: Xufei

1

2

3

4

A

A

B

B

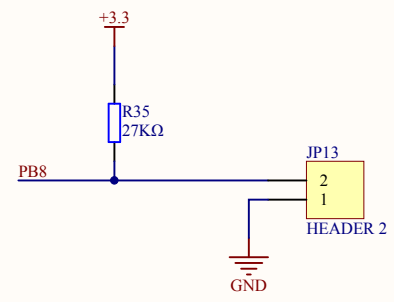
C

C

D

D

### HDMI-CEC



**Company Name: GigaDevice**

**File Name: CEC**

Revision: 1.0

Data: 2015-12

Author: Xufei

1

2

3

4

1

2

3

4

A

A

B

B

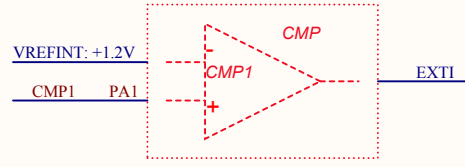
C

C

D

D

### CMP



**Company Name: GigaDevice**

**File Name: CMP**

Revision: 1.0

Data: 2015-11

Author: Xufei

1

2

3

4

1

2

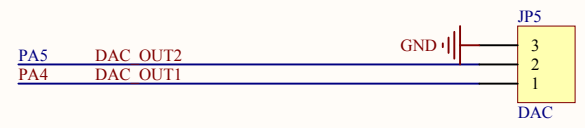
3

4

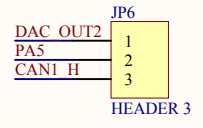
A

A

# DAC



Short JP6(1,2) for DAC function  
Short JP6(2,3) for CAN1 function



B

B

C

C

D

D

**Company Name: GigaDevice**

**File Name: DAC**

Revision: 1.0

Data: 2015-11

Author: Xufei

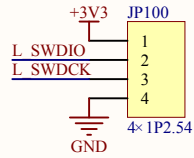
1

2

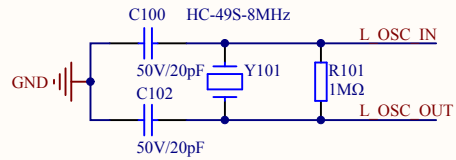
3

4

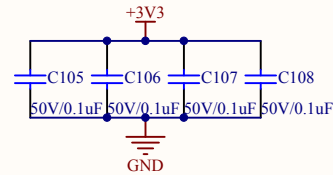
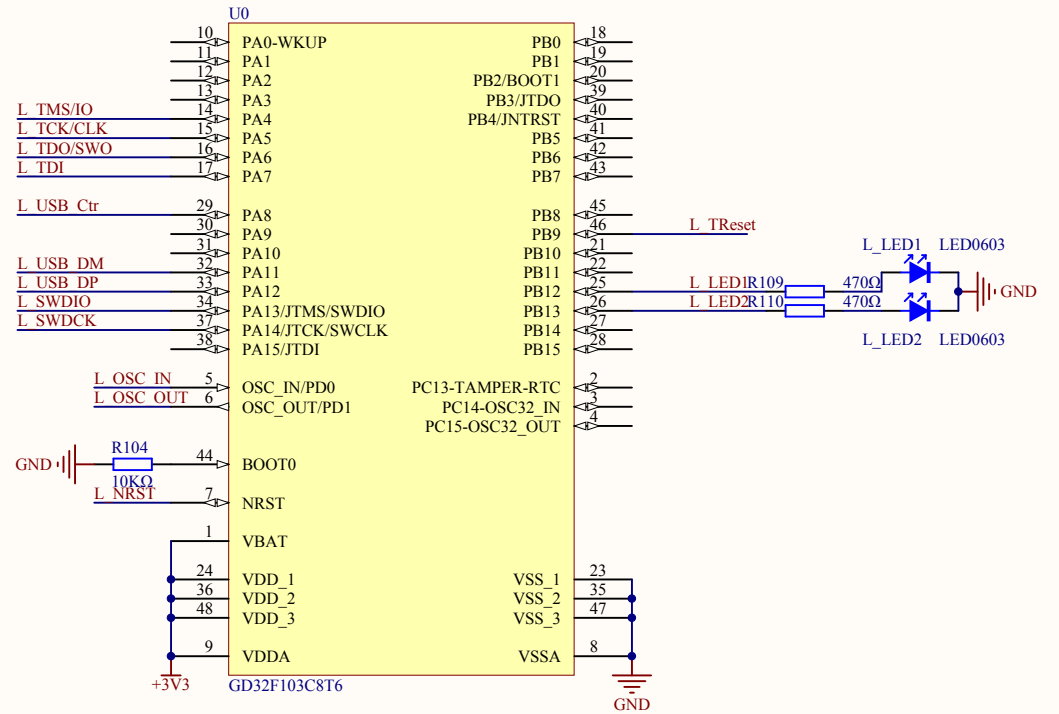
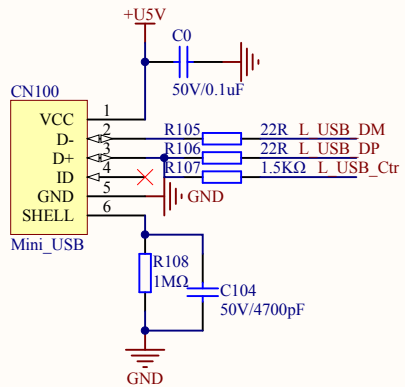
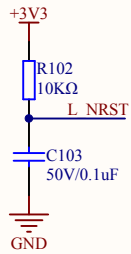
### MCU SWD



### HSE



### Reset



Company Name: GigaDevice

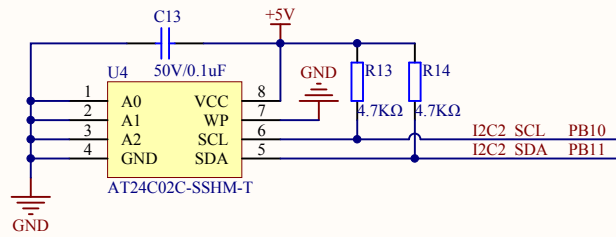
File Name: GDLink

Revision: 1.0

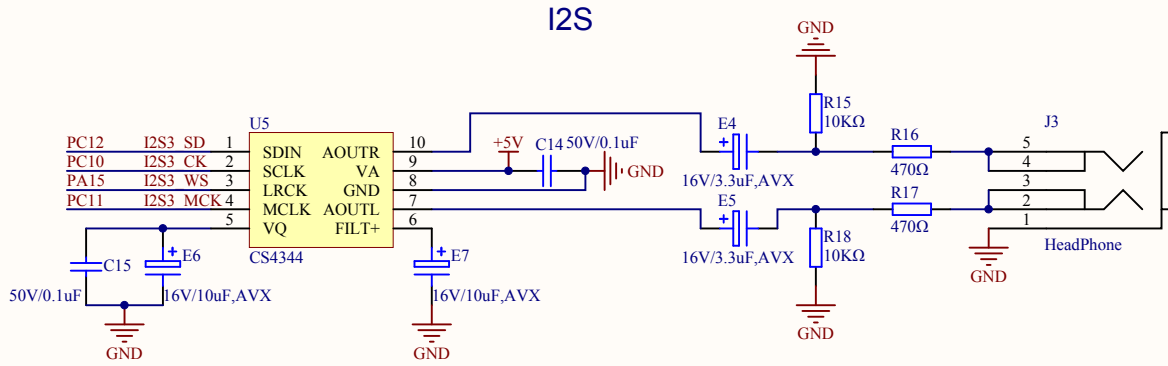
Data: 2015-01-09

Author: XuFei

# I2C



<b>Company Name: GigaDevice</b>		
<b>File Name: I2C</b>		
Revision: 1.0	Data: 2015-11	Author: Xufei



**Company Name: GigaDevice**

**File Name: I2S**

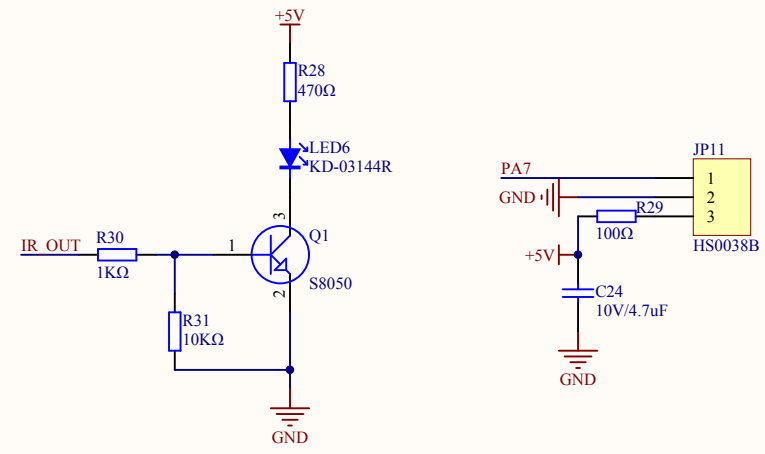
Revision: 1.0

Data: 2015-11

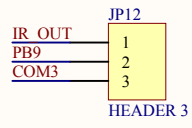
Author: Xufei



# IFRR



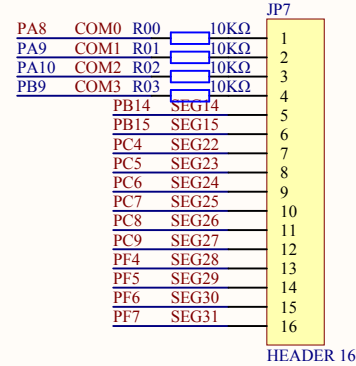
Short JP12(1,2) for IFRR function  
 Short JP12(2,3) for LCD function



<b>Company Name: GigaDevice</b>		
<b>File Name: IFRR</b>		
Revision: 1.0	Data: 2015-11	Author: Xufei

### LCD

PB9 is an AFIO, please refer to IFRR schematic for right config  
PA9,PA10 are AFIOs, please refer to USART schematic for right config



<b>Company Name: GigaDevice</b>		
<b>File Name: LCD</b>		
Revision: 1.0	Data: 2015-11	Author: Xufei

1

2

3

4

A

A

U\_ADC  
ADC.SchDoc



U\_IFRR  
IFRR.SchDoc



U\_SPI  
SPI.SchDoc



U\_CAN  
CAN.SchDoc



U\_LCD  
LCD.SchDoc



U\_TSI  
TSI.SchDoc



B

B

U\_CMP  
CMP.SchDoc



U\_MCU  
MCU.SchDoc



U\_USART  
USART.SchDoc



U\_DAC  
DAC.SchDoc



U\_OPAMP  
OPAMP.SchDoc



U\_USART  
CEC.SchDoc



C

C

U\_I2C  
I2C.SchDoc



U\_Peripherals  
Peripherals.SchDoc



U\_I2S  
I2S.SchDoc



U\_POWER  
POWER.SchDoc



D

D

**Company Name: GigaDevice**

**File Name: MAIN**

Revision: 1.0

Data: 2015-11

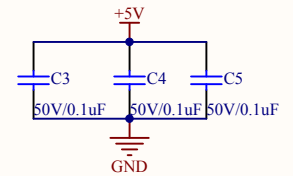
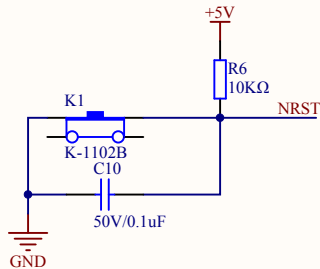
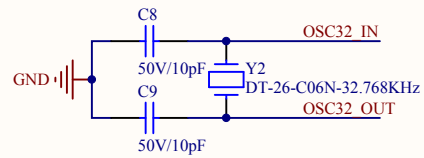
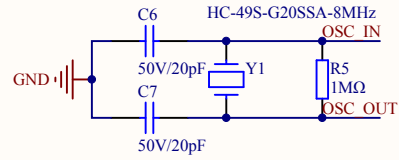
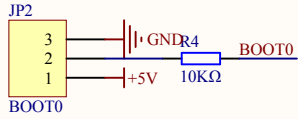
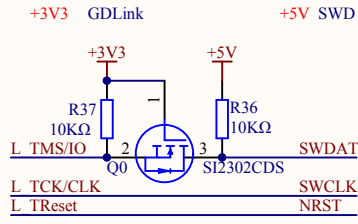
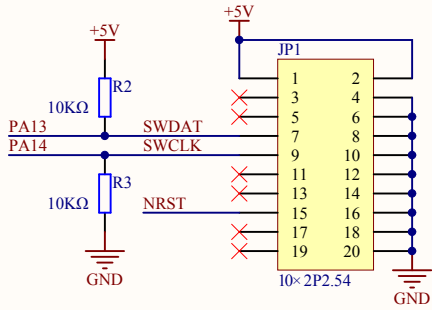
Author: Xufei

1

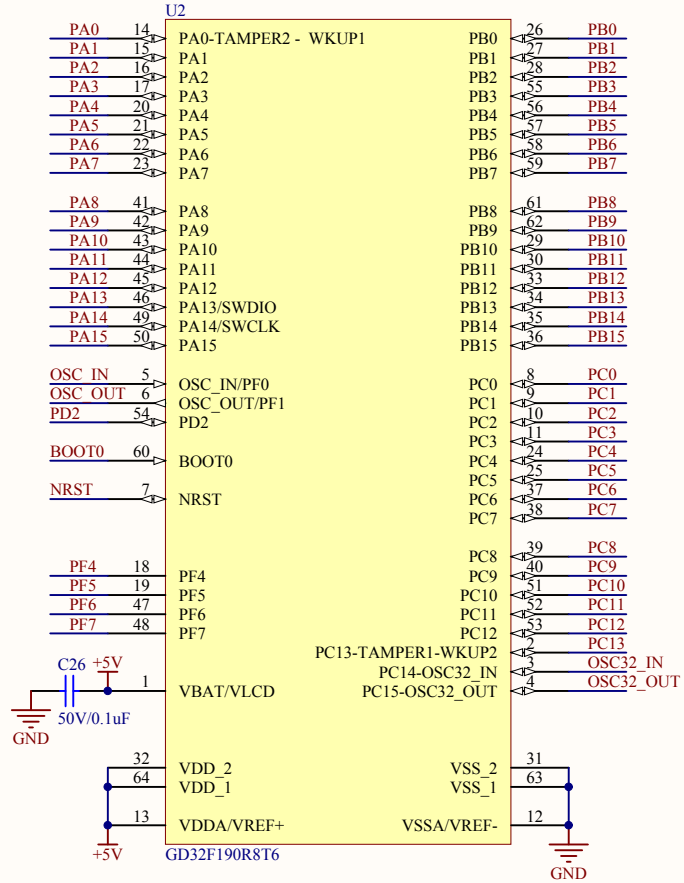
2

3

4



## MCU



**Company Name: GigaDeice**

**File Name: MCU**

Revision: 1.0

Data: 2015-11

Author: Xufei

1

2

3

4

A

A

B

B

C

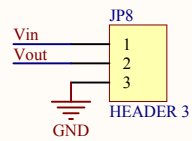
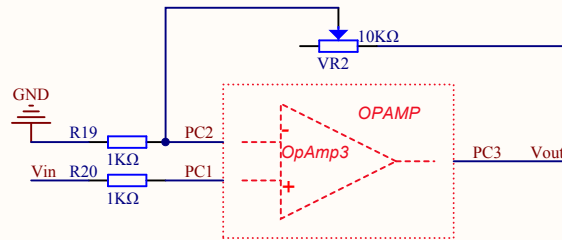
C

D

D

# OPAMP

OPAMP3	VINM	PC2
OPAMP3	VINP	PC1
OPAMP3	VOUT	PC3



<b>Company Name: GigaDevice</b>		
<b>File Name: OPAMP</b>		
Revision: 1.0	Data: 2015-11	Author: Xufei

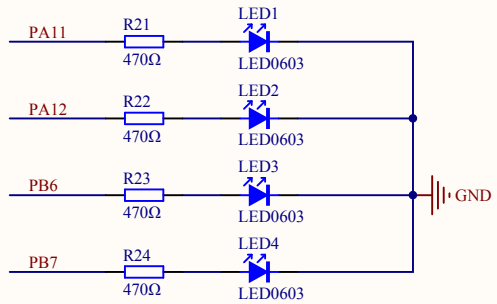
1

2

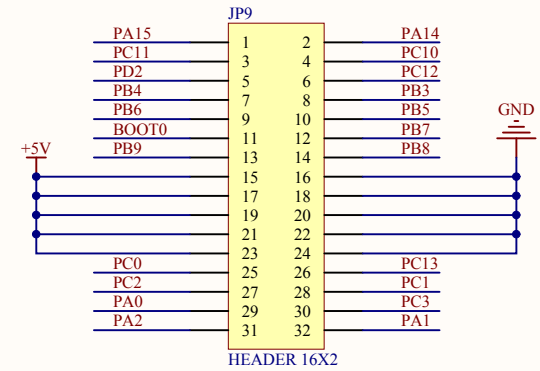
3

4

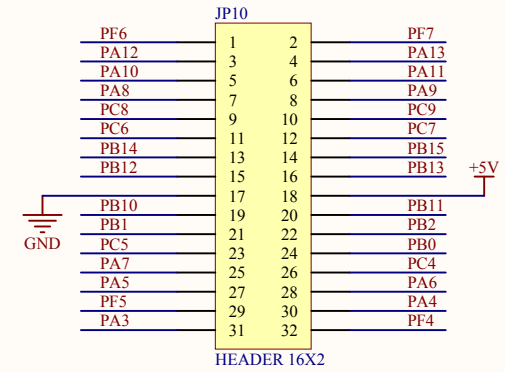
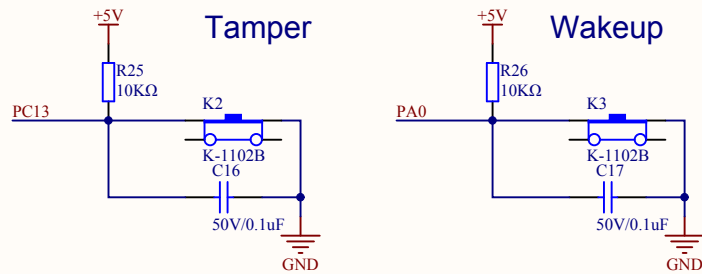
### LED



### Extention

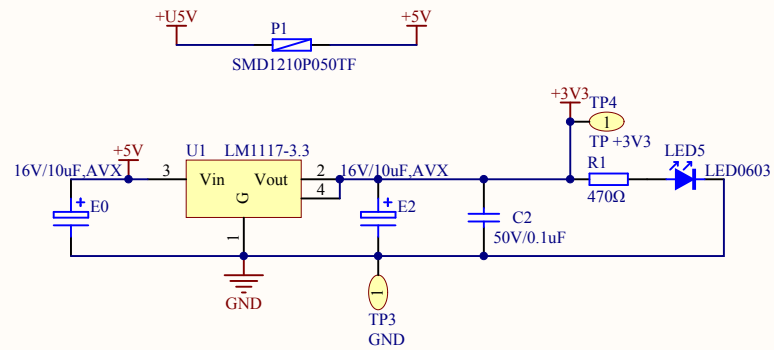


### Button KEY

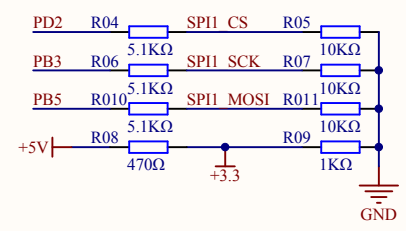
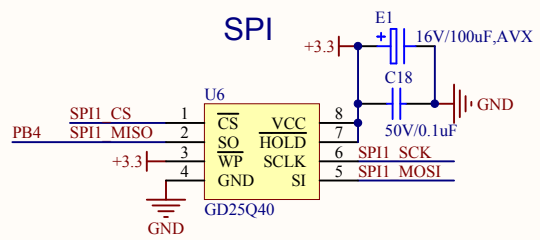


<b>Company Name: GigaDevice</b>		
<b>File Name: Peripherals</b>		
Revision: 1.0	Data: 2015-11	Author: Xufei

# POWER



<b>Company Name: GigaDevice</b>		
<b>File Name: POWER</b>		
Revision: 1.2	Data: 2016-3	Author: Xufei



**Company Name: GigaDevice**

**File Name: SPI**

Revision: 1.0

Data: 2015-11

Author: Xufei



1

2

3

4

A

A

B

B

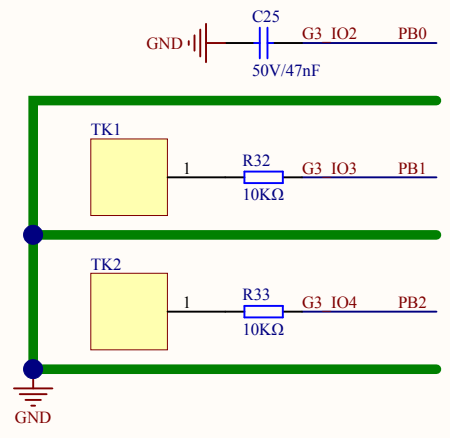
C

C

D

D

### TSI



**Company Name: GigaDevice**

**File Name: TSI**

Revision: 1.0

Data: 2015-11

Author: Xufei

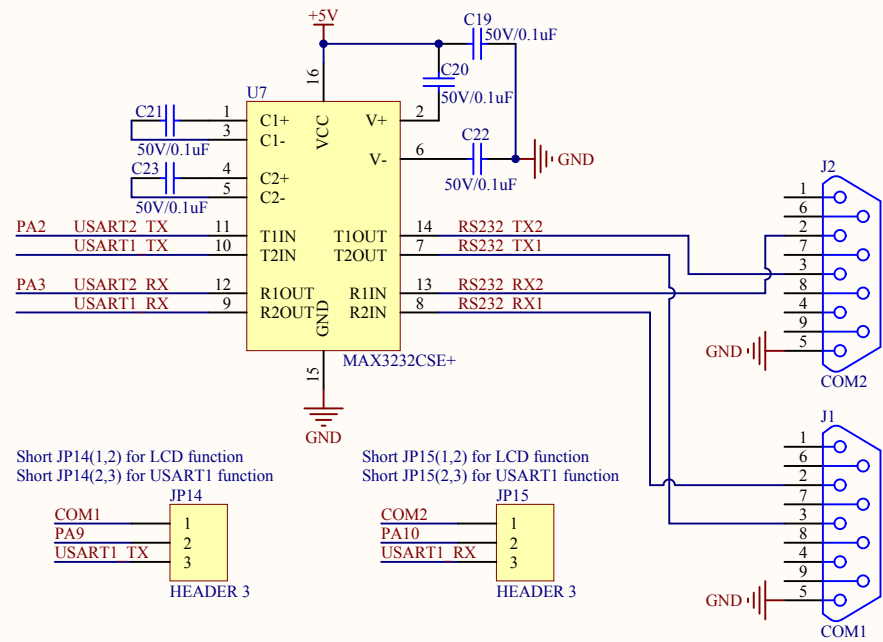
1

2

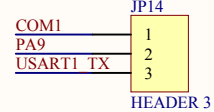
3

4

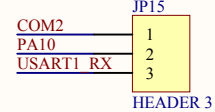
# USART



Short JP14(1,2) for LCD function  
Short JP14(2,3) for USART1 function



Short JP15(1,2) for LCD function  
Short JP15(2,3) for USART1 function



<b>Company Name: GigaDevice</b>		
<b>File Name: USART</b>		
Revision: 1.2	Data: 2016-4	Author: Xufei

