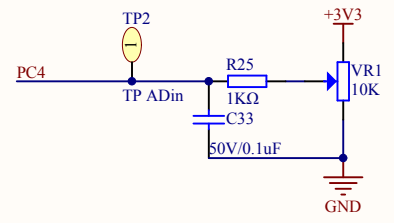


ADC



Company Name: GigaDevice		
File Name: AD		
Revision: 1.0	Data: 2015-01	Author: XuFei

1

2

3

4

A

A

B

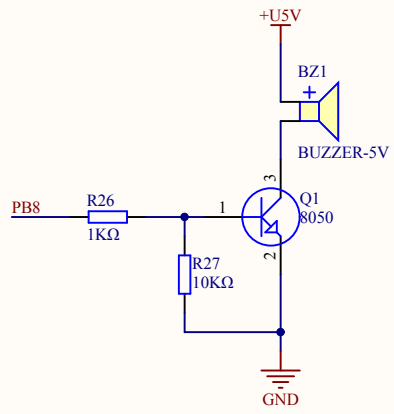
B

C

C

D

D



Company Name: GigaDevice

File Name: Audio

Revision: 1.0

Data: 2015-01

Author: XuFei

1

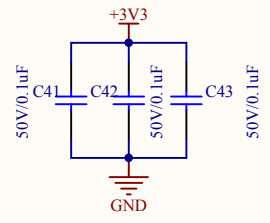
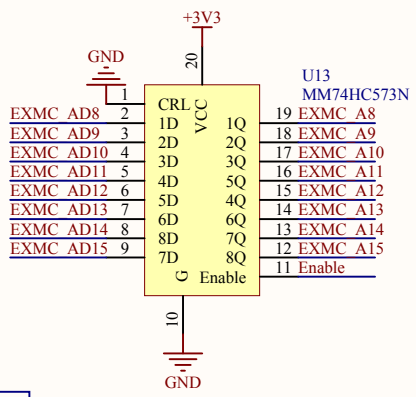
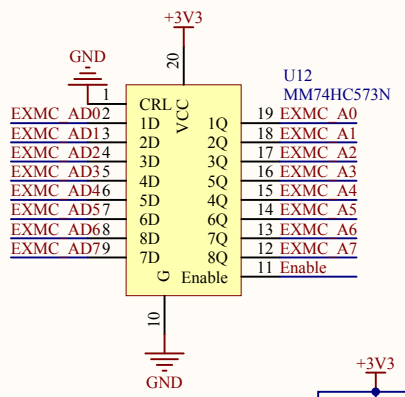
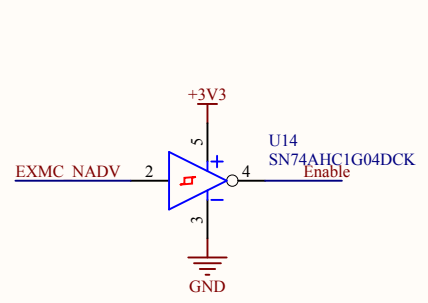
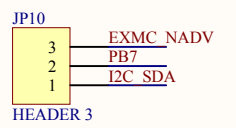
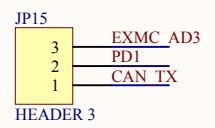
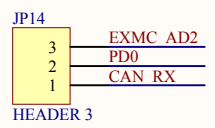
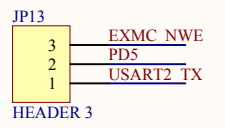
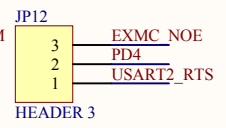
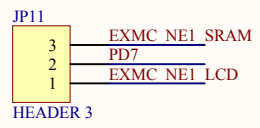
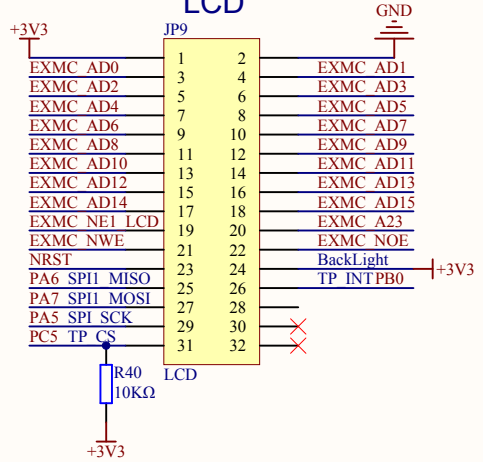
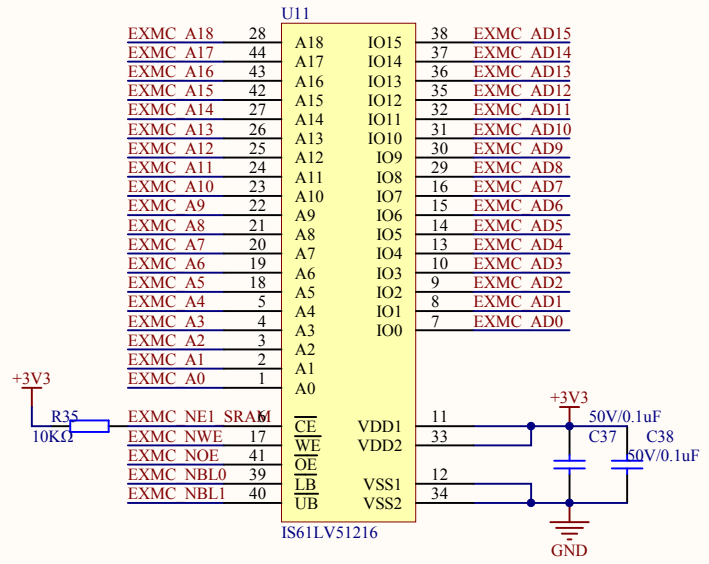
2

3

4

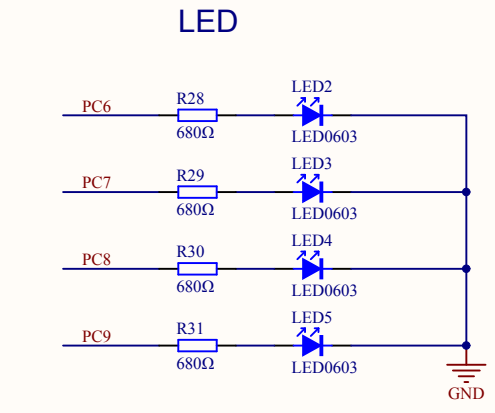
SRAM

LCD

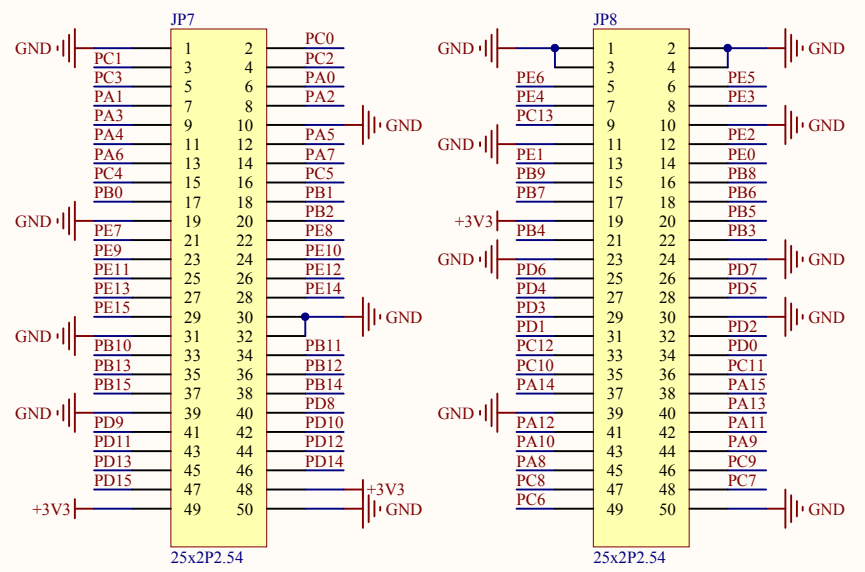


PD14	EXMC AD0	PD11	EXMC A16
PD15	EXMC AD1	PD12	EXMC A17
PE7	EXMC AD4	PD13	EXMC A18
PE8	EXMC AD5	PE2	EXMC A23
PE9	EXMC AD6	PE0	EXMC NBL0
PE10	EXMC AD7	PE1	EXMC NBL1
PE11	EXMC AD8		
PE12	EXMC AD9		
PE13	EXMC AD10		
PE14	EXMC AD11		
PE15	EXMC AD12		
PD8	EXMC AD13		
PD9	EXMC AD14		
PD10	EXMC AD15		

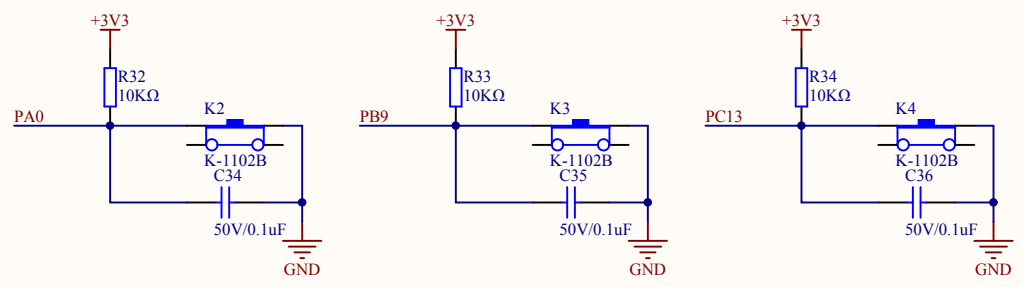
Company Name: GigaDevice		
File Name: EXMC		
Revision: 1.0	Data: 2015-01	Author: XuFei



Extension Pin



KEY



Company Name: GigaDevice

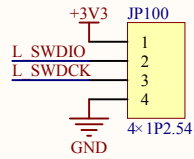
File Name: Extension

Revision: 1.0

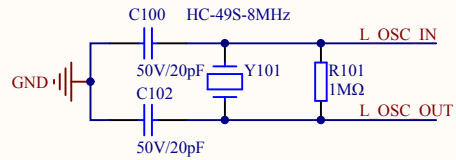
Data: 2015-01

Author: XuFei

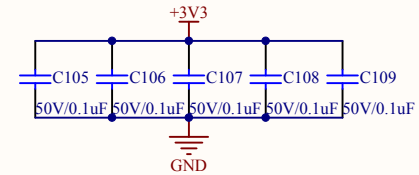
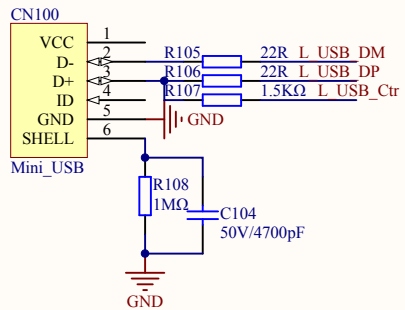
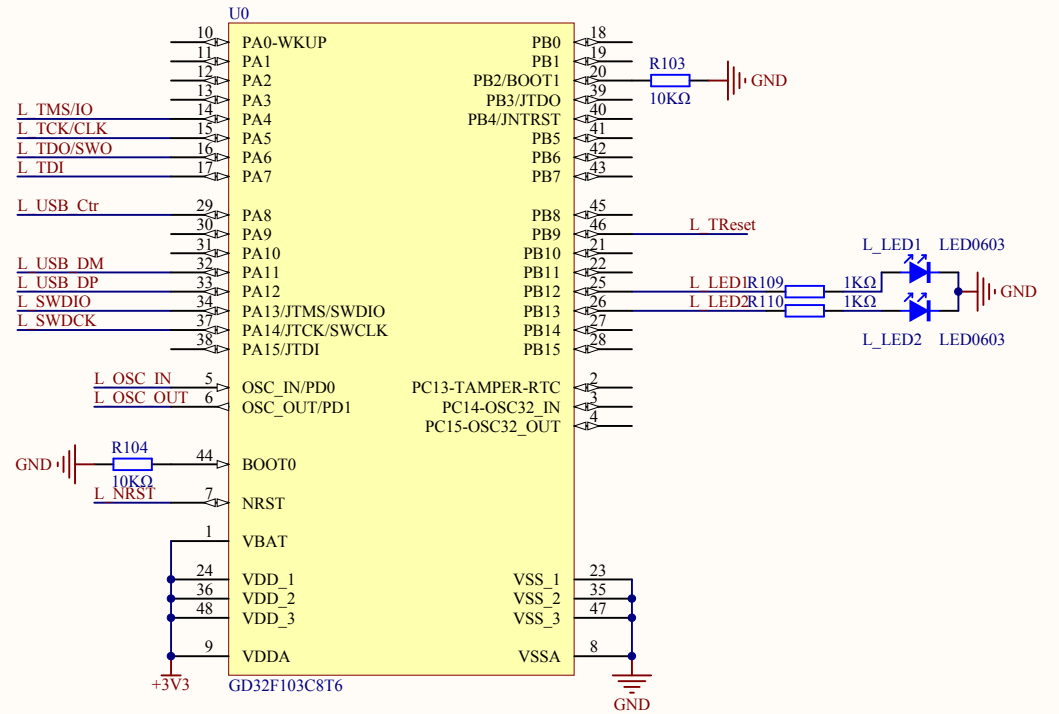
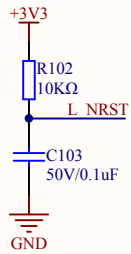
MCU SWD



HSE



Reset



Company Name: GigaDevice

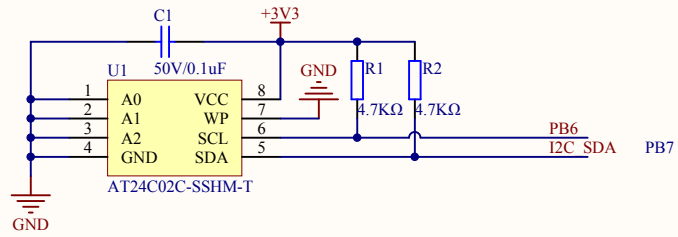
File Name: GDLink

Revision: 1.0

Data: 2015-01-09

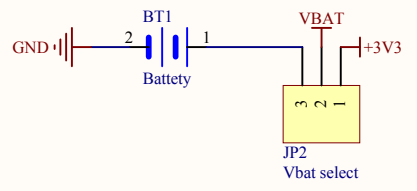
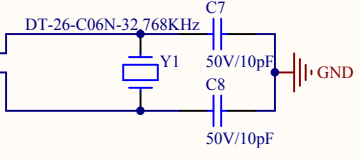
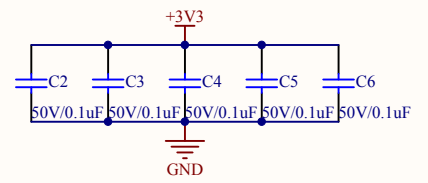
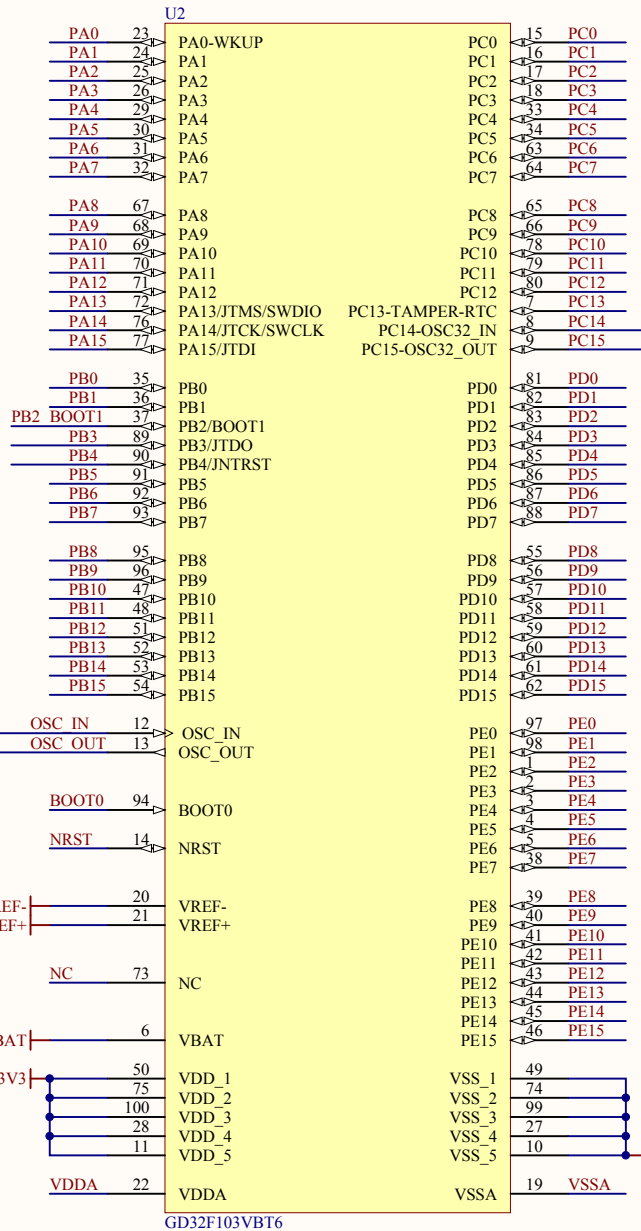
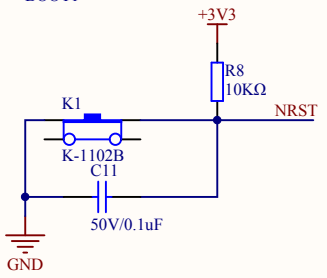
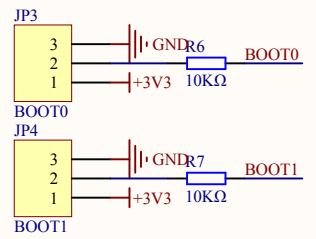
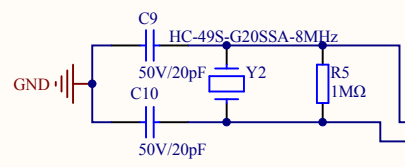
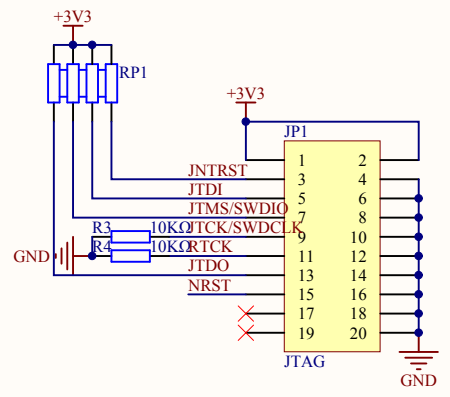
Author: XuFei

I2C

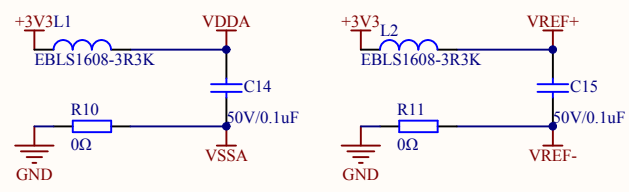
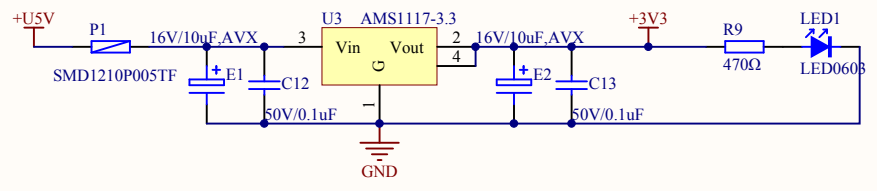


Company Name: GigaDevice		
File Name: I2C		
Revision: 1.0	Data: 2015-01	Author: XuFei

GDLINK	JTAG	
L_TDI	JNTRST	PB4
L_TMS/IO	JTDI	PA15
L_TCK/CLK	JTMS/SWDIO	PA13
L_TDO/SWO	JTCK/SWDCLK	PA14
L_TReset	JTDO	PB3
	NRST	

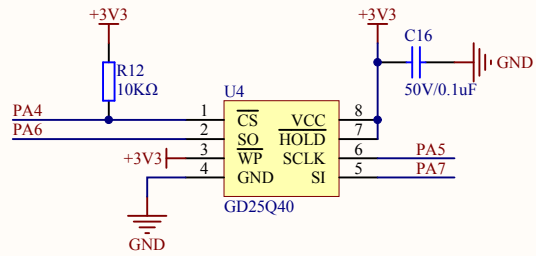


Company Name: GigaDevice		
File Name: MCU		
Revision: 1.0	Data: 2015-01	Author: XuFei



Company Name: GigaDevice		
File Name: Power		
Revision: 1.0	Data: 2015-01	Author: XuFei

SPI Flash



Company Name: GigaDevice

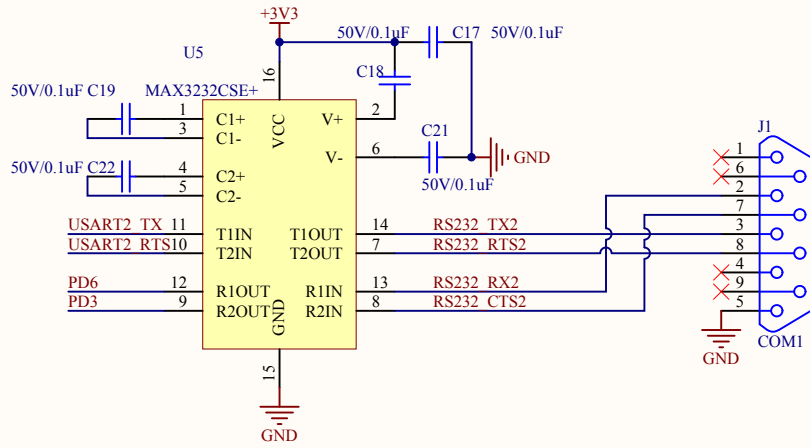
File Name: SPI

Revision: 1.0

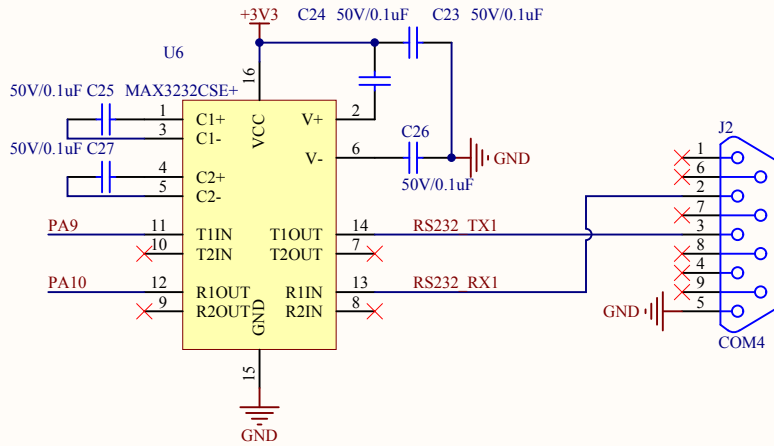
Data: 2015-01

Author: XuFei

USART2



USART1



Company Name: GigaDevice

File Name: USART

Revision: 1.0

Data: 2015-01

Author: XuFei

1

2

3

4

A

A

B

B

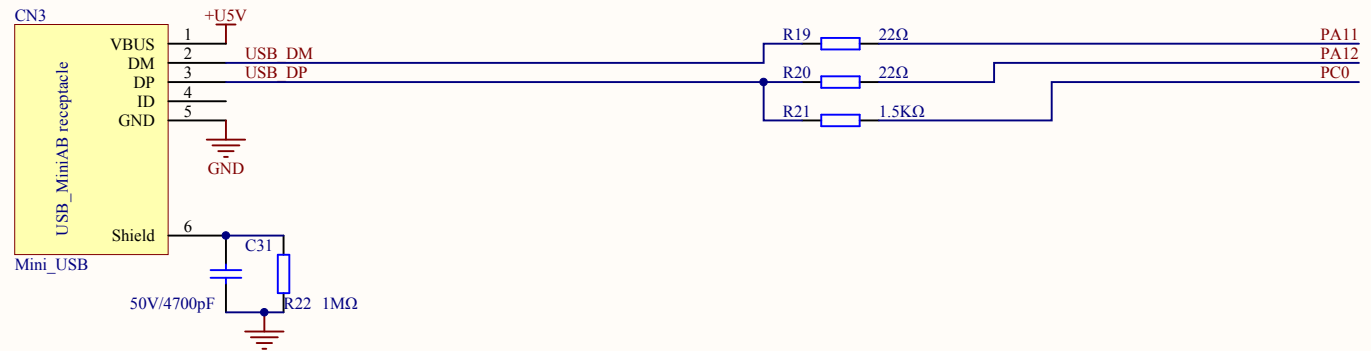
C

C

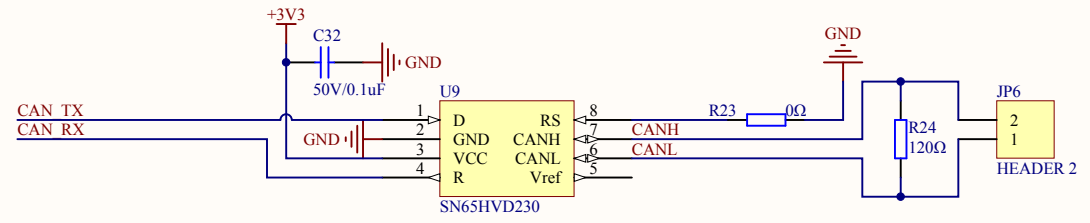
D

D

USB



CAN



Company Name: GigaDevice

File Name: USB_CAN

Revision: 1.0

Data: 2015-01

Author: XuFei

1

2

3

4

