



## FIX-LED3

MATERIAL: NYLON 66(UL)

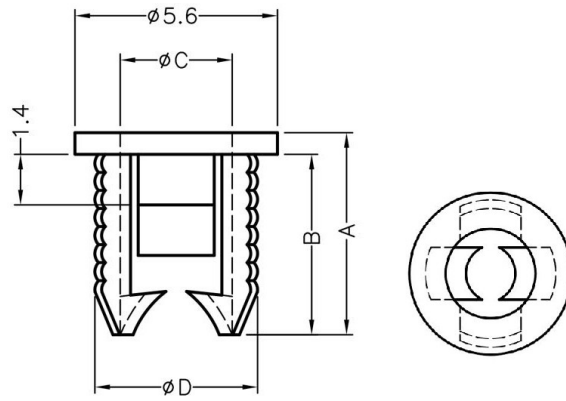
FLAME CLASS : 94V-2

COLOR:BLACK

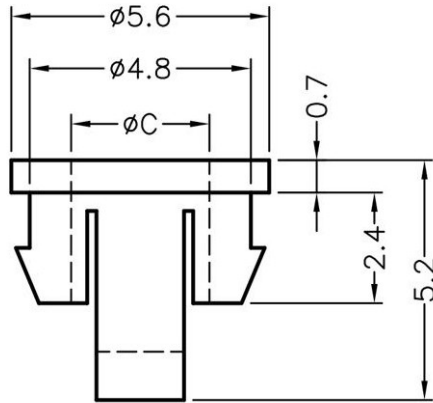
UNIT:mm

L : RECOMMEND ASSEMBLING LED SIZE

P : NUMBER OF ASSEMBLING LED



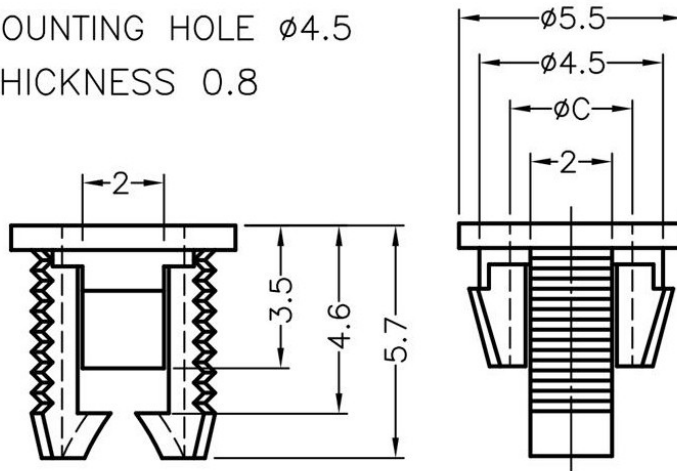
PART NO	A	B	C	D	L	P
FIX-LED3-1	5,6	5	3,1	4,4	3	1
FIX-LED3-8	4,6	4	3,1	4,5	3	1



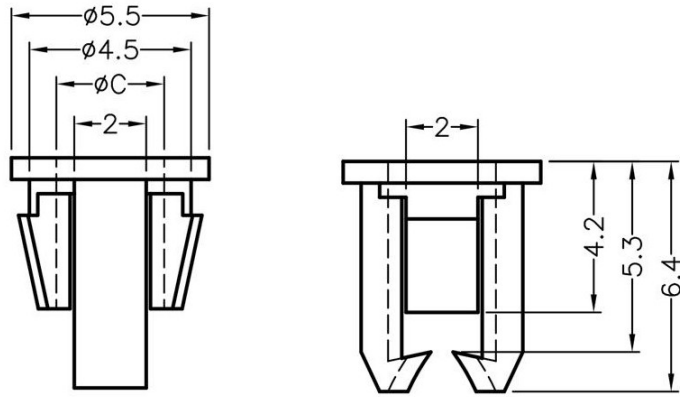
MOUNTING HOLE:  $\phi 5$   
 CHASSIS THICKNESS:  $1.0 \sim 1.1$

PART NO	C	L	P
FIX-LED3-5	1,5	3	1

MOUNTING HOLE  $\phi 4.5$   
 THICKNESS 0.8

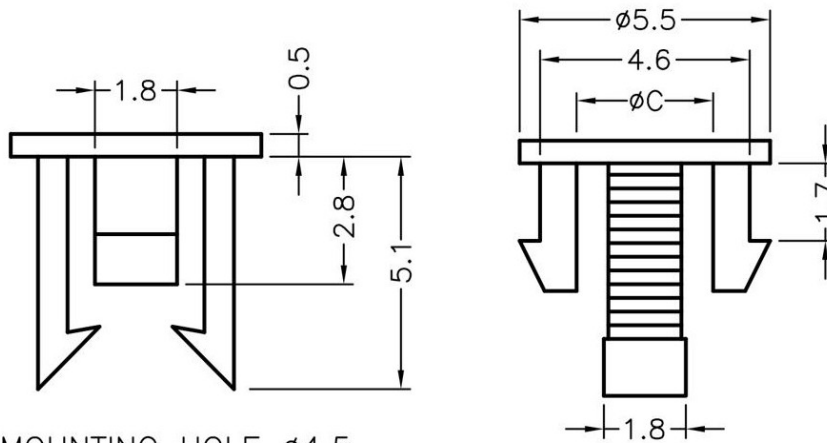


PART NO	C	L	P
FIX-LED3-4	3	3	1



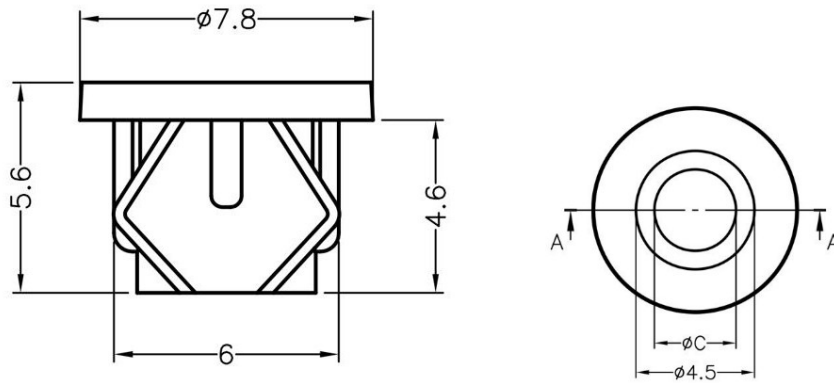
MOUNTING HOLE  $\phi 4.5$   
THICKNESS 0.8

PART NO	C	L	P
FIX-LED3-6	3	3	1



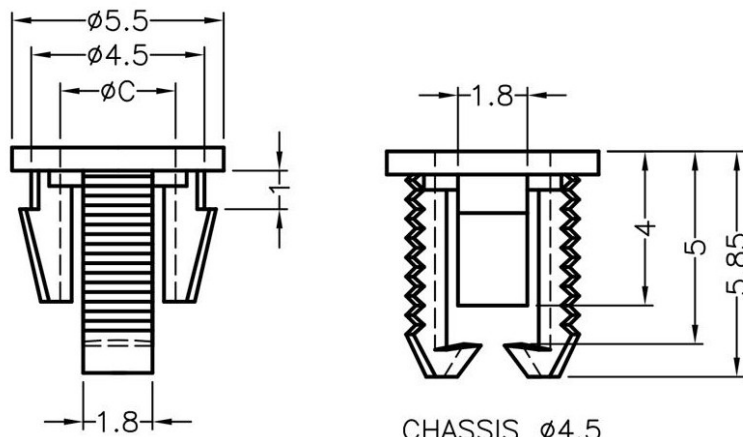
MOUNTING HOLE  $\phi 4.5$   
THICKNESS 1.6

PART NO	C	L	P
FIX-LED3-7	3	3	1



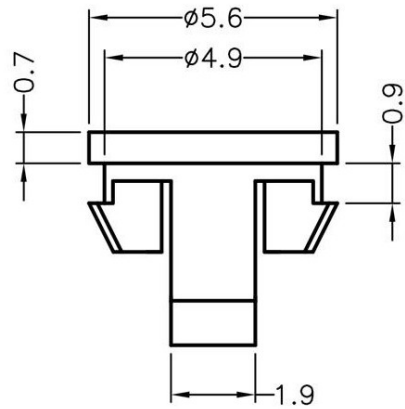
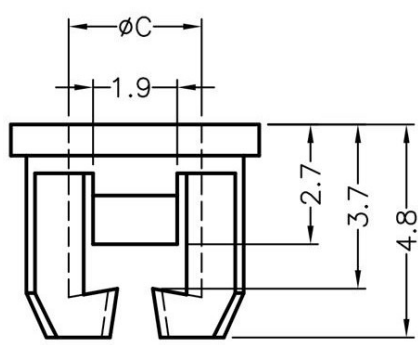
MOUNTING HOLE  $\phi 6.35$

PART NO	C	L	P
FIX-LED3-19	3,1	3	1



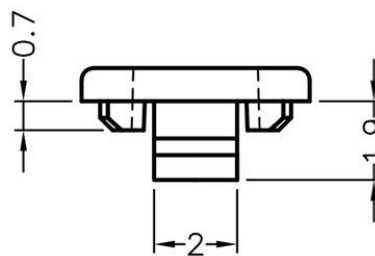
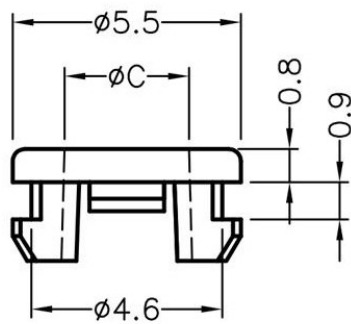
CHASSIS  $\phi 4.5$   
THICKNESS 1.0

PART NO	C	L	P
FIX-LED3-20	3	3	1



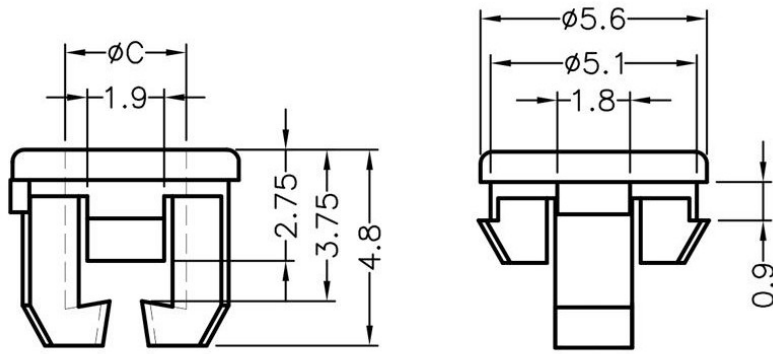
CHASSIS  $\phi 5$   
THICKNESS 0.8

PART NO	C	L	P
FIX-LED3-22	3	3	1

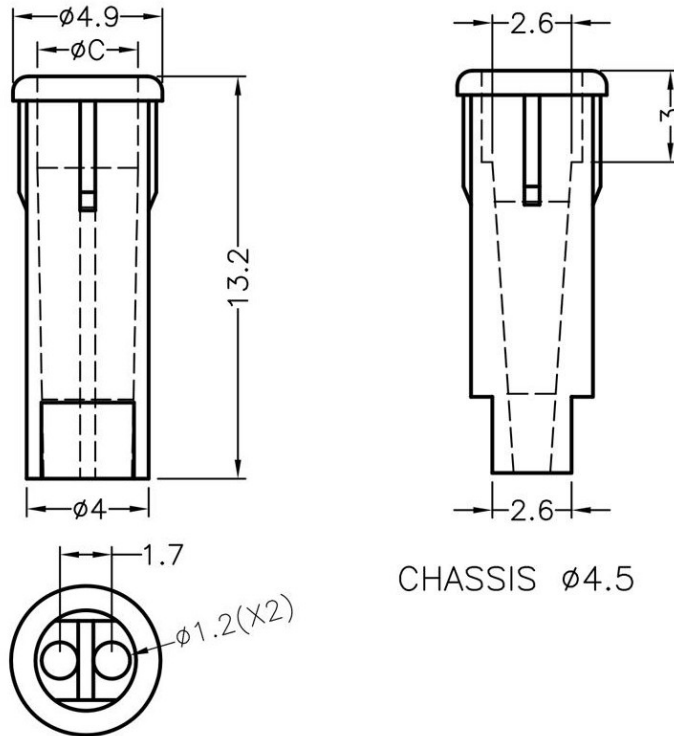


CHASSIS  $\phi 4.8$   
THICKNESS 0.8mm

PART NO	C	L	P
FIX-LED3-23	3	3	1



PART NO	C	L	P
FIX-LED3-28	3	3	1



PART NO	C	L	P
FIX-LED3-3	3,3	3	1

**FIX**  
Fasten