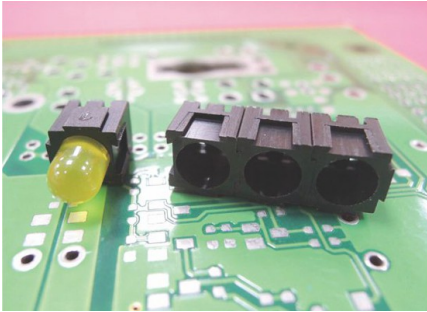
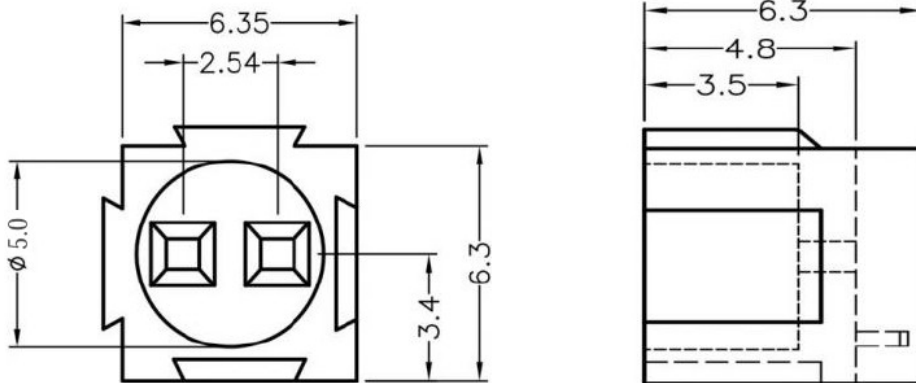


FIX-LED-6501



MATERIAL: NYLON 66(UL)
FLAME CLASS: 94V-2
COLOR:BLACK
UNIT:mm
RECOMMEND ASSEMBLING LED SIZE : 5
NUMBER OF ASSEMBLING LED : 1



To weld $\phi 5$ LED on board with 90 degrees, and same height, but avoid pins broken. Be used in combination.