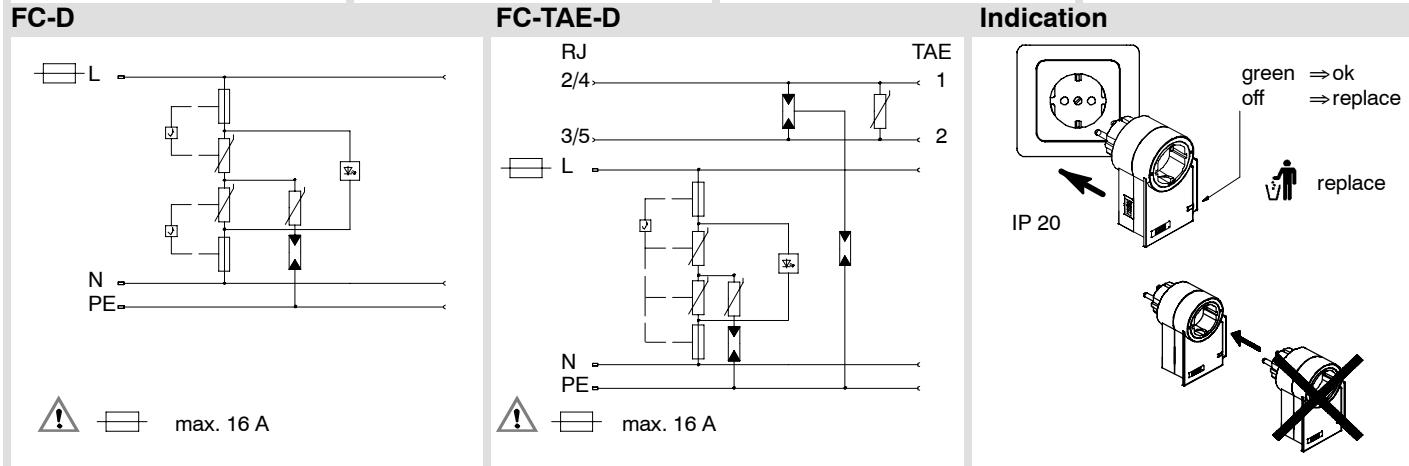


Technical Data / Technische Daten (Power supply)

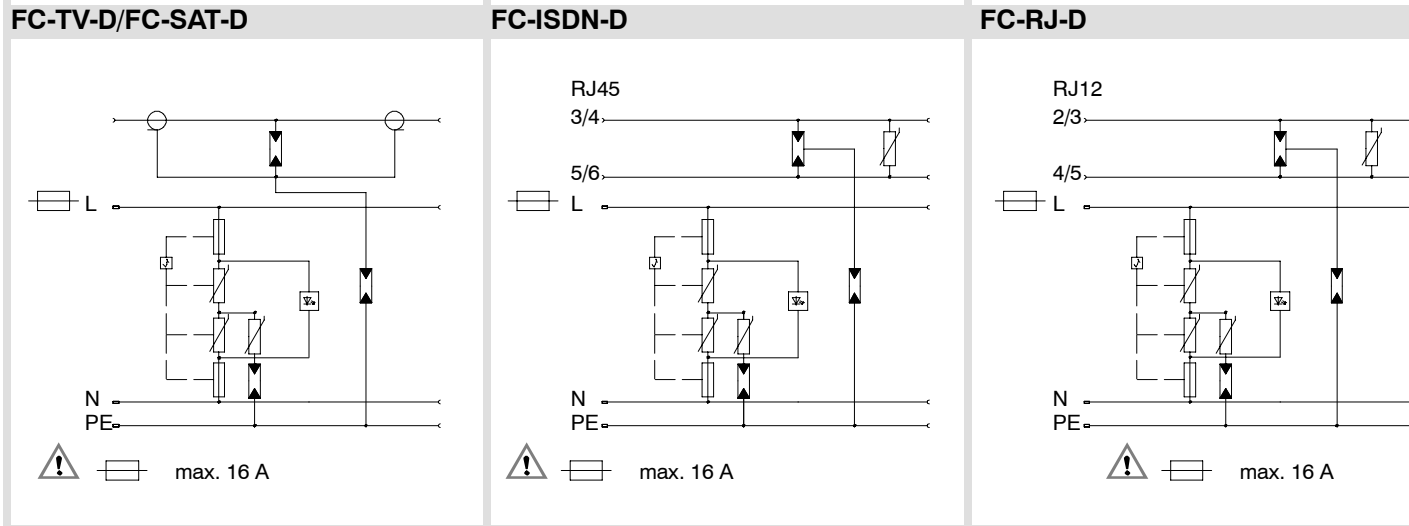
Typ	FC-D	FC-TAE-D	FC-TV-D	FC-SAT-D	FC-ISDN-D	FC-RJ-D
U _N	230 V (50-60 Hz)					
U _C	275 V L-N / 360 V L/N-PE (50-60 Hz)					
LPZ	LPZ 2->3					
I _n I _{max} (8/20)	3,0 kA 8,0 kA					
max.	16 A gL/C					
I _L	16 A					
U _P (L/N-PE)	≤ 1,5 kV					
U _P (L-N)	≤ 1,2 kV					
v °C	- 25 °C - + 75 °C					
IP-Code	20					



Technical Data (Data-Line)

U _C	-	200 V (DC)	72 V (DC)	72 V (DC)	6 V (DC)	200 V (DC)
I _n	-	2,5 kA	2,5 kA	2,5 kA	2,5 kA	2,5 kA
f	-	0-4 MHz	0-2400 MHz	0-2400 MHz	0-300 kHz	0-3 MHz

- Typ 3 EN 61643-11: 2002-12
- LPZ 2->3 IEC 61312-1: 1995-03
- DIN V VDE 0185-4: 2002-11



Head Office OBO BETTERMANN GmbH & Co. KG
 Postfach 1120 · 58694 Menden, Germany
 Hüngser Ring 52 · D-58710 Menden
 Tel. +49 (0)2373-89-0 Fax +49 (0)2373-89-238
 E-Mail: info@obo.de · www.obo-bettermann.com

Technical Hotline
 Telefon +49 (0)2373/89-1500
 Telefax +49 (0)2373/89-1550
 E-Mail hotline@obo.de