



## Series E04 | Split crossbar along the outer radius

| Split crossbar<br>along outer radius | <i>Bi</i><br>[mm] | <i>Ba</i><br>[mm] | <i>R</i> Bending radii<br>[mm] | Weight<br>[kg/m] |
|--------------------------------------|-------------------|-------------------|--------------------------------|------------------|
| <b>E04.07.R.0<sup>1)</sup></b>       | <b>7</b>          | <b>13</b>         | 015   018   028   038   048    | ≈ 0,08           |

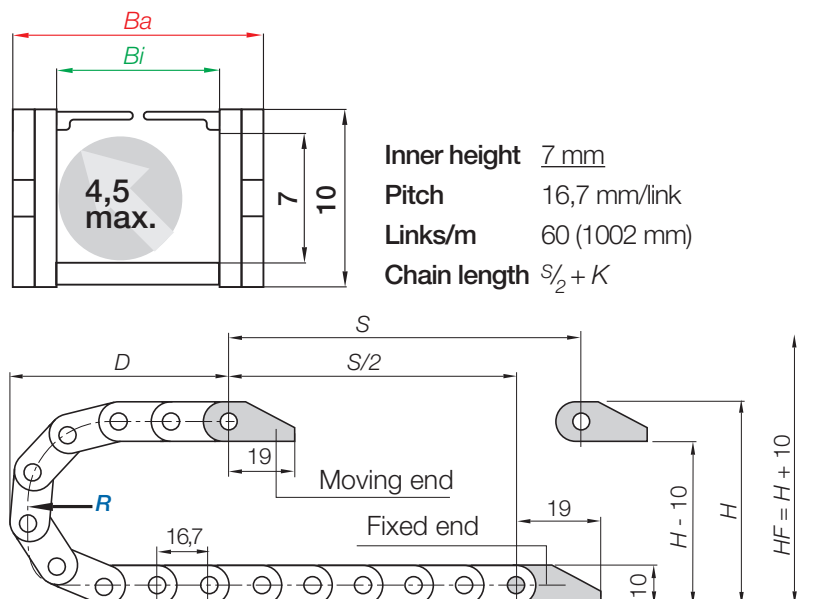
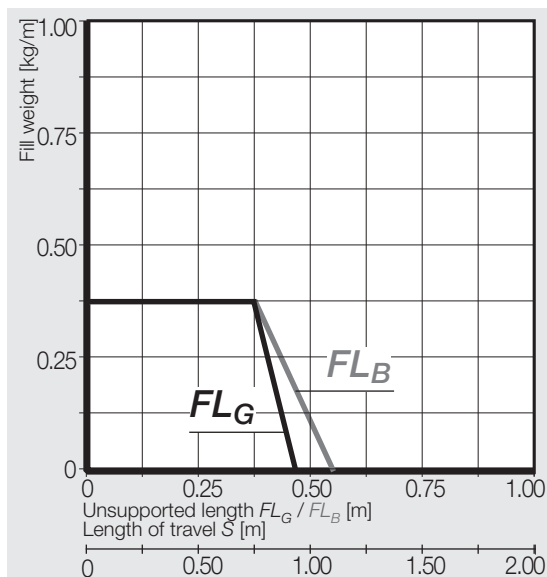
1) Crossbars do not overlap. Gap = 2,5 mm

Special solution with opening gap 0,8 mm: **Part No. E04.07.015.0.S**

Supplement Part No. with required radius (*R*). Example: **E04.07.028.0**

**Ba**: pin dimension approx. 0,1 - 0,3 mm wider.

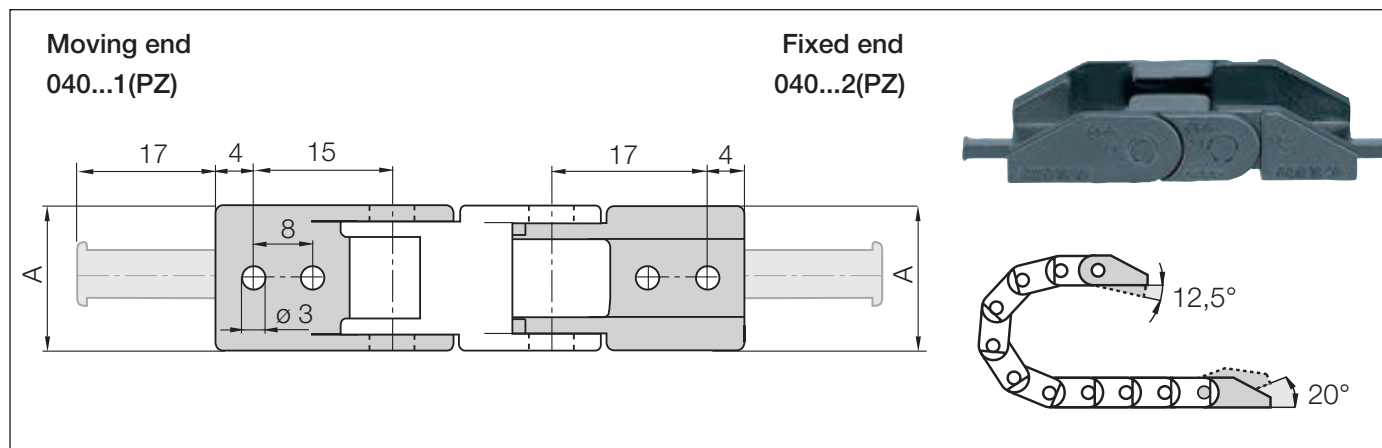
## Dimensions



| <i>R</i> | 015 | 018 | 028 | 038 | 048 |
|----------|-----|-----|-----|-----|-----|
| <i>H</i> | 40  | 46  | 66  | 86  | 106 |
| <i>D</i> | 45  | 48  | 58  | 68  | 78  |
| <i>K</i> | 85  | 90  | 125 | 155 | 185 |

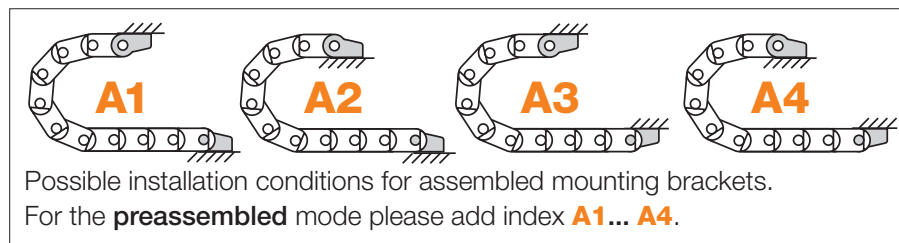
The required clearance height:  $H_F = H + 10$  mm (with 0,1 kg/m fill weight)

Mounting brackets, polymer one-piece | pivoting | More features ► [www.igus.eu/E04](http://www.igus.eu/E04)



| Width Index | Standard | Part No. full set with tie-wrap plates | Part No. full set without tie-wrap plates | Dim. A [mm] | Number of teeth |
|-------------|----------|--|---|-------------|-----------------|
| .07. ►      |          | 040.07.12PZ                            | 040.07.12                                 | 12          | 1               |
|             |          |  |   |             |                 |
|             |          |  |   |             |                 |
|             |          |  |   |             |                 |
|             |          |  |   |             |                 |

Material mounting bracket - igumid G, temperature: -40° up to +120° C, VDE 0304 IIC UL94-HB



### Part No. structure

**040.07. 12 PZ A2** A...must be indicated on preassembled configurations  
 With strain relief tie-wrap plates  
**Full set**  
 Mounting bracket for selected width index