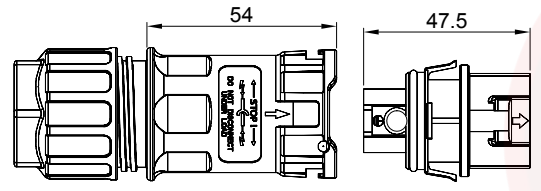
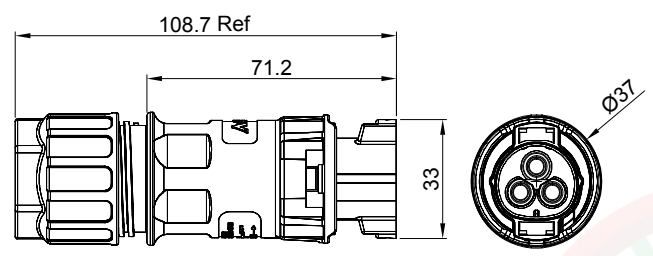
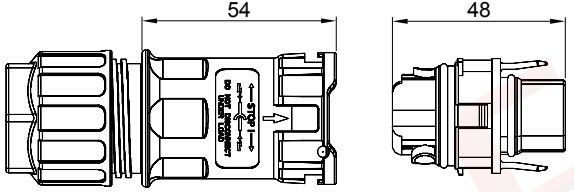
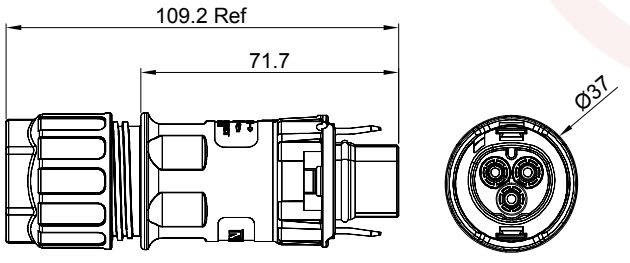


The information provided herein is from CONNELY Electronic Co., Ltd. and is confidential. Any disclosure to a party other than the recipient is prohibited. The intellectual properties and its rights contained herein, including but not limited to, trademarks, patents, copyrights, trade secrets, and technical know-how, are owned exclusively by CONNELY or its affiliates. Unauthorized use or reproduction of any part of this document, in any form or by any means, without the prior written permission of CONNELY, is strictly prohibited. CONNELY may enforce its intellectual property rights at its own discretion, failures or delays to exercise such rights does not constitute a waiver of such rights.

# Female



# Male



(Series Image-Reference Only)

REV.	DESCRIPTION	DRAWN	CHECKED	APPROVED
A	NEW RELEASE	JLZ 08/30/23'		

- Notes:
- Specifications:
- Contact Resistance: 0.25mΩ Max.
  - Insulation Resistance: 1000MΩ Min.
  - Dielectric Withstanding Voltage: 4000V AC(rms) For 1 Minute.
  - Current Rating: 50A Max(10mm<sup>2</sup>).
  - Voltage Rating: 500V AC.
  - Temperature: -40°C~+85°C.
  - Cable size: 2.5~10mm<sup>2</sup>.
  - Waterproof rated: IP68.

- Materials:
- Insulating material: Thermoplastic, UL 94 V-0.
  - Contact: Copper, Tin plated.
  - Sealing: Rubber.

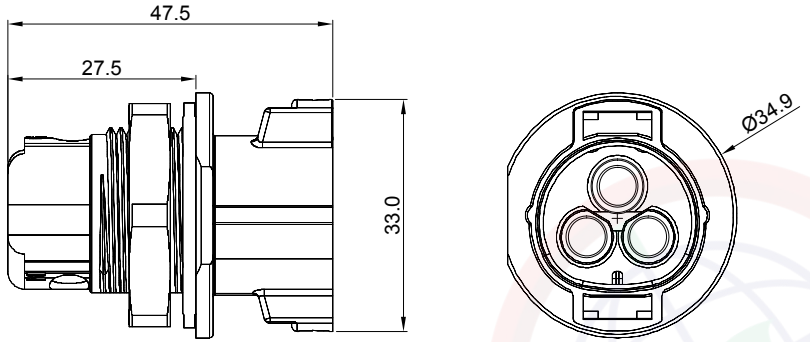
Product Number Code:  
 DS1162-03 - X X X X X X

- Cuitable cable type
- 4: 2.5/4mm<sup>2</sup>
- 10: 4/6/10mm<sup>2</sup>
- Housing color
- B: Black
- Contact plating
- 6: Tin
- Mounting type
- C: Cable type
- Connector type
- F: Female
- M: Male
- No. of contacts
- 3: 3Pin

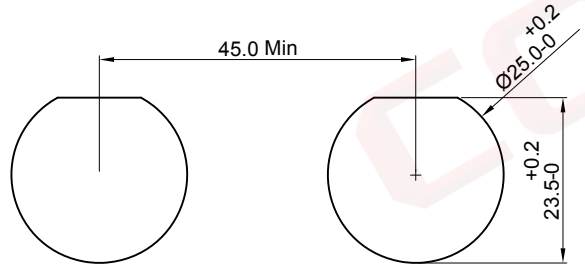
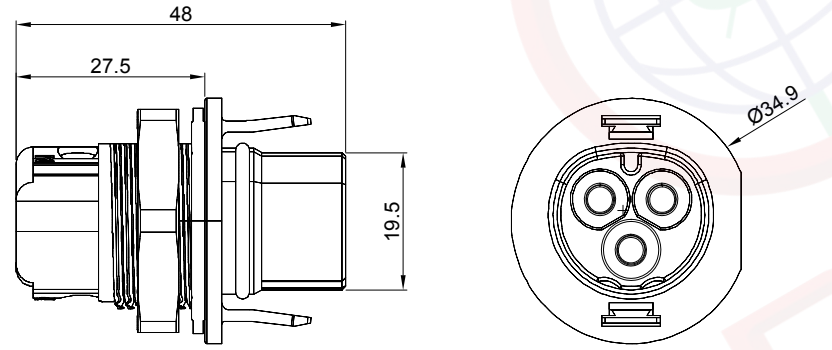
GENERAL TOLERANCE		ANGLE TOLERANCE		PROJECTION		TITLE	
X.	±0.60	X.	±5°	UNITS	mm	3P AC Connectors Cable Type	
.X	±0.38	.X	±3°	SHEET SIZE	A4	SERIES	DS1162-03 SERIES
.XX	±0.25	.XX	±2°	<b>晨翔电子有限公司</b> <b>CONNFLY CONNELY ELECTRONIC CO. LTD</b>			
DRAWING TYPE		CUSTOMER					
SCALE	1:1	SHEET	1 OF 4				
DRAWING NO.		C-DS1162-03-XXXX-A					

The information provided herein is from CONNELY Electronic Co., Ltd. and is confidential. Any disclosure to a party other than the recipient is prohibited. The intellectual properties and its rights contained herein, including but not limited to, trademarks, patents, copyrights, trade secrets, and technical know-how, are owned exclusively by CONNELY or its affiliates. Unauthorized use or reproduction of any part of this document without the prior written permission of CONNELY may result in legal action. CONNELY may enforce its intellectual property rights at its own discretion, failures or delays to exercise such rights does not constitute a waiver of such rights.

# Female



# Male

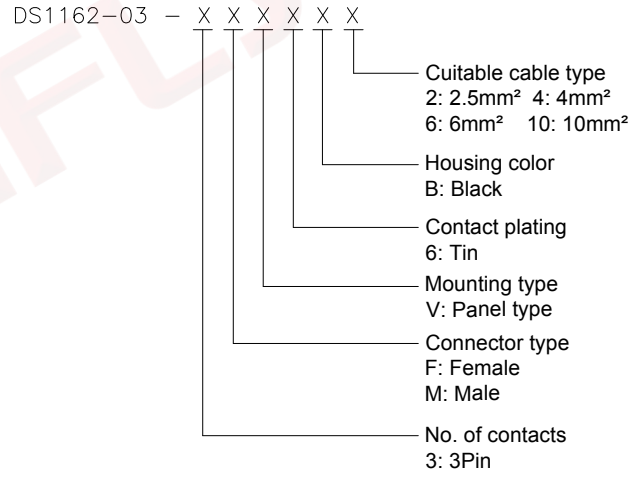


(Series Image-Reference Only)

REV.	DESCRIPTION	DRAWN	CHECKED	APPROVED
A	NEW RELEASE	JLZ 08/30/23'		

- Notes:**
- Specifications:**
- Contact Resistance: 0.25mΩ Max.
  - Insulation Resistance: 1000MΩ Min.
  - Dielectric Withstanding Voltage: 4000V AC(rms) For 1 Minute.
  - Current Rating: 50A Max(10mm<sup>2</sup>).
  - Voltage Rating: 500V AC.
  - Temperature: -40°C~+85°C.
  - Cable size: 2.5~10mm<sup>2</sup>.
  - Waterproof rated: IP68.

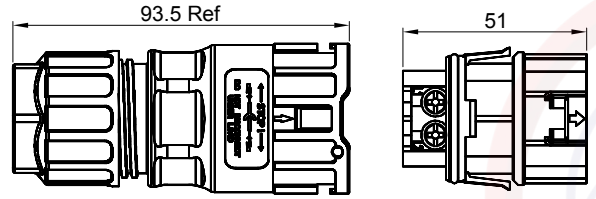
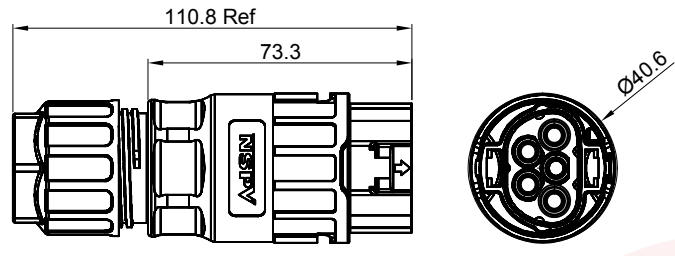
- Materials:**
- Insulating material: Thermoplastic, UL 94 V-0.
  - Contact: Copper, Tin plated.
  - Sealing: Rubber.
- Product Number Code:**



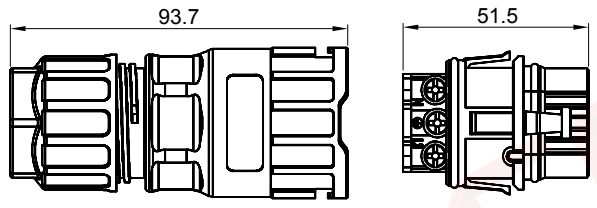
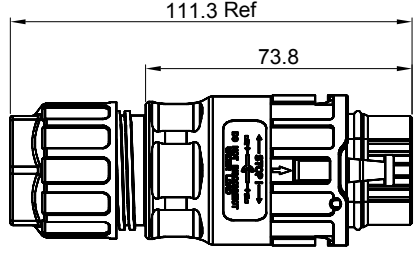
GENERAL TOLERANCE		ANGLE TOLERANCE		PROJECTION		TITLE	
X.	±0.60	X.	±5°	UNITS	mm	3P AC Connectors Panel Type	
.X	±0.38	.X	±3°	SHEET SIZE	A4	SERIES	DS1162-03 SERIES
.XX	±0.25	.XX	±2°	<b>晨翔电子有限公司</b> CONNFLY CONNFLY ELECTRONIC CO. LTD			
DRAWING TYPE		CUSTOMER					
SCALE	1:1	SHEET	2 OF 4				
DRAWING NO.		C-DS1162-03-XXXX-A					

The information provided herein is from CONNELY Electronic Co., Ltd. and is confidential. Any disclosure to a party other than the recipient is prohibited. The intellectual properties and its rights contained herein, including but not limited to, trademarks, patents, copyrights, trade secrets, and technical know-how, are owned exclusively by CONNELY or its affiliates. Unauthorized use or reproduction of any part of this document, in any form or by any means, without the prior written permission of CONNELY may result in legal action. CONNELY may enforce its intellectual property rights at its own discretion, failures or delays to exercise such rights does not constitute a waiver of such rights.

# Female



# Male



(Series Image-Reference Only)

REV.	DESCRIPTION	DRAWN	CHECKED	APPROVED
A	NEW RELEASE	JLZ 08/30/23'		

- Notes:
- Specifications:
- Contact Resistance: 0.25mΩ Max.
  - Insulation Resistance: 1000MΩ Min.
  - Dielectric Withstanding Voltage: 4000V AC(rms) For 1 Minute.
  - Current Rating: 50A Max(10mm<sup>2</sup>).
  - Voltage Rating: 500V AC.
  - Temperature: -40°C~+85°C.
  - Cable size: 4~10mm<sup>2</sup>.
  - Waterproof rated: IP68.

- Materials:
- Insulating material: Thermoplastic, UL 94 V-0.
  - Contact: Copper, Tin plated.
  - Sealing: Rubber.

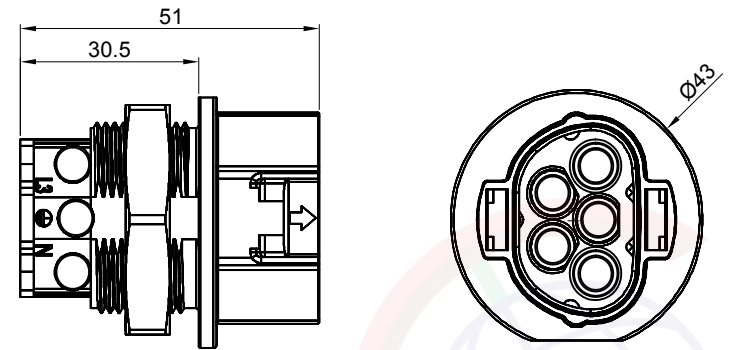
Product Number Code:  
 DS1162-03 - X X X X X X X

- X: Cuitable cable type  
10: 4/6/10mm<sup>2</sup>
- X: Housing color  
B: Black
- X: Contact plating  
6: Tin
- X: Mounting type  
C: Cable type
- X: Connector type  
F: Female  
M: Male
- X: No. of contacts  
5: 5Pin

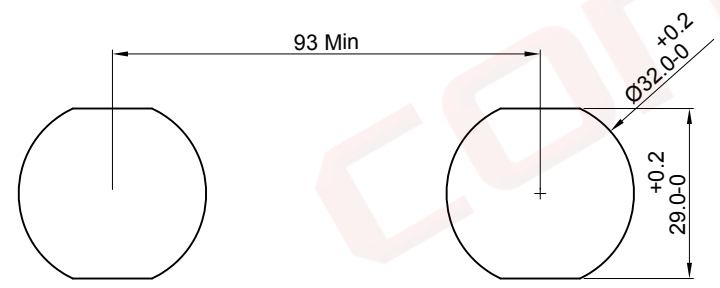
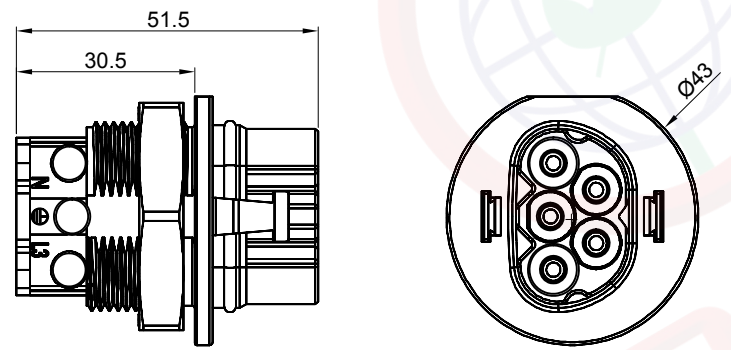
GENERAL TOLERANCE		ANGLE TOLERANCE		PROJECTION		TITLE	
X.	±0.60	X.	±5°	UNITS	mm	5P AC Connectors Cable Type	
.X	±0.38	.X	±3°	SHEET SIZE	A4	SERIES	DS1162-03 SERIES
.XX	±0.25	.XX	±2°	<b>晨翔电子有限公司</b> <b>CONNFLY CONNELY ELECTRONIC CO. LTD</b>			
DRAWING TYPE		CUSTOMER					
SCALE	1:1	SHEET	3 OF 4				
DRAWING NO.		C-DS1162-03-XXXX-A					

The information provided herein is from CONNELY Electronic Co., Ltd. and is confidential. Any disclosure to a party other than the recipient is prohibited. The intellectual properties and its rights contained herein, including but not limited to, trademarks, patents, copyrights, trade secrets, and technical know-how, are owned exclusively by CONNELY or its affiliates. Unauthorized use or reproduction of any part of this document is strictly prohibited. CONNELY may enforce its intellectual property rights at its own discretion, failures or delays to exercise such rights does not constitute a waiver of such rights.

# Female



# Male



Panel size



(Series Image-Reference Only)

REV.	DESCRIPTION	DRAWN	CHECKED	APPROVED
A	NEW RELEASE	JLZ 08/30/23'		

**Notes:**

**Specifications:**

- Contact Resistance: 0.25mΩ Max.
- Insulation Resistance: 1000MΩ Min.
- Dielectric Withstanding Voltage: 4000V AC(rms) For 1 Minute.
- Current Rating: 50A Max(10mm<sup>2</sup>).
- Voltage Rating: 500V AC.
- Temperature: -40°C~+85°C.
- Cable size: 4~10mm<sup>2</sup>.
- Waterproof rated: IP68.

**Materials:**

- Insulating material: Thermoplastic, UL 94 V-0.
- Contact: Copper, Tin plated.
- Sealing: Rubber.

**Product Number Code:**

DS1162-03 - X X X X X X

- X Cuitable cable type  
4: 4mm<sup>2</sup> 6: 6mm<sup>2</sup>  
10: 10mm<sup>2</sup>
- X Housing color  
B: Black
- X Contact plating  
6: Tin
- X Mounting type  
V: Panel type
- X Connector type  
F: Female  
M: Male
- X No. of contacts  
5: 5Pin

GENERAL TOLERANCE		ANGLE TOLERANCE		PROJECTION		TITLE	
X.	±0.60	X.	±5°	UNITS	mm	5P AC Connectors Panel Type	
.X	±0.38	.X	±3°	SHEET SIZE	A4	SERIES	DS1162-03 SERIES
.XX	±0.25	.XX	±2°	<b>晨翔电子有限公司</b> <b>CONNFLY ELECTRONIC CO. LTD</b>			
DRAWING TYPE		CUSTOMER					
SCALE	1:1	SHEET	4 OF 4				
DRAWING NO.		C-DS1162-03-XXXX-A					