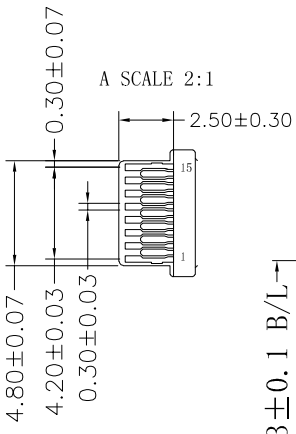
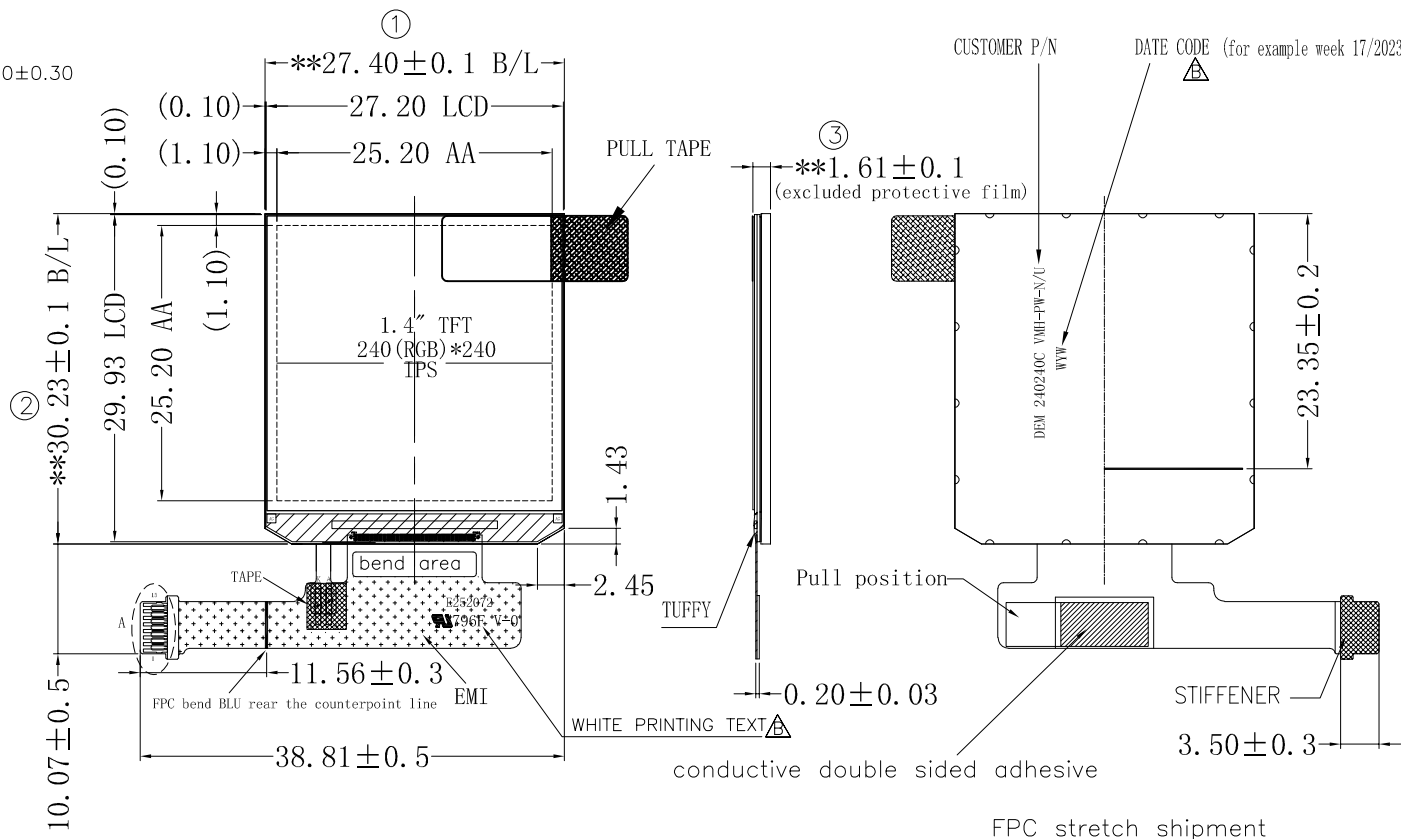


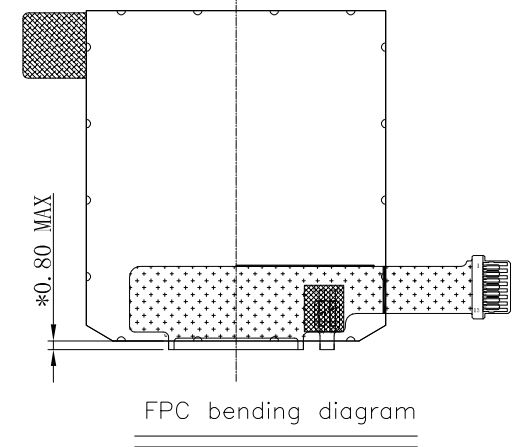
Counter-drawing revision date 图纸版本日期	2023-06-13
Module type 模块类型	COG+FPC+BLU+PULL TAPE
Display type 显示类型	TFT(NORMAL BLACK)/TRANSMISSIVE
Module dimension (WxHxT), mm 模块尺寸	27.40*30.23*1.61mm (EXCLUDE FPC length)
Number of dots 点阵个数	240 x R.G.B. x 240 DOTS
Dot size (WxH), mm 点阵尺寸	0.105*0.105
Display area (WxH), mm 显示区	25.2*25.2
Viewing angle 视角	FREE
Front polarizer type 表偏光片类型	Transmissive normal
Back polarizer type 底偏光片类型	Transmissive normal
Driver IC P/N 驱动 IC 型号	ST7789P3
Interface connector type 界面连接类型	FPC
Operating temperature 工作温度	-20 °C ~ 60 °C
Storage temperature 存储温度	-30 °C ~ 70 °C



A SCALE 2:1



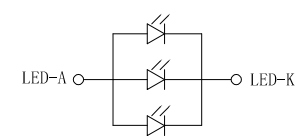
CUSTOMER P/N DATE CODE (for example week 17/2023 would be: 137)



PIN ASSIGNMENT:

Pin	DESCRIPTION
1	GND
2	IOVCC1.8V
3	CS
4	RESET
5	RS
6	GND
7	SCL
8	SDA
9	GND
10	VDD2.8V
11	FMARK
12	LED-
13	LED-
14	LED+
15	LED+

CIRCUIT DIAGRAM



FORWARD VOLTAGE: VF=3.2V(typ)
 FORWARD CURRENT: @IF=60mA
 BACKLIGHT TYPE: 3 CHIP WHITE LEDS
 LCM LUMINANCE: 550cd/m2 (typ)

NOTE:

1. "◇"SPECIAL DIMENSION(PPK/CPK DATA NEEDED>1.67)
2. "***CONTROL DIMENSION
3. No Use of Prohibited Substances defined in SOP-E-QS-009 and Only purchase Designated Raw Materials from Green Partners.
4. DRIVER IC : ST7789P3;