

DB Snap-in Terminal Type, Standard Series

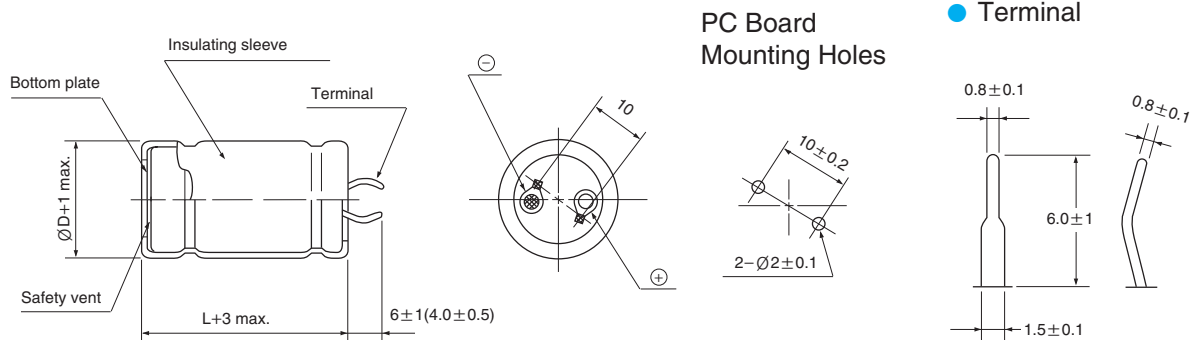


- Endurance : 2.5V 70°C 1000 hours, 2.7V 60°C 1000 hours
- The middle size and high capacitance, low resistance
- Charge and discharge efficiency are higher than in batteries

Item	Characteristics	
Operating temperature range	-25 ~ +70°C	-40 ~ +60°C
Rated Voltage	2.5 VDC	2.7 VDC
Capacitance tolerance	-20 ~ +20% or 0% ~ +20% at 20°C	
Low temperature characteristics	Capacitance change	Within ±5% of initial value at +20°C
	Internal resistance	Within 150% of initial value at +20°C
Endurance (2.5V:70°C, 2.7V:60°C)	Test time	1000 hours
	Capacitance change	Within ±30% of initial specified value
	Internal resistance	Less than 100% of initial specified value
Shelf life (70°C)	After 1000 hours no load test same as endurance	
Life Time at RT ⁽¹⁾	10 years	(1) $\Delta CI < 30\%$ and $\Delta ESR < 200\%$ of initially specified value, respectively and $LC <$ specified value (2) Cycle : between rated voltage and half rated voltage under constant current at 25°C
Cycle Life (25°C) ⁽¹⁾⁽²⁾	500,000 cycles	

DRAWING

Unit : mm



CHARACTERISTIC LIST & DIMENSIONS

Rated Voltage	Capacitance (F)	ESR, 1KHz (mΩ)	ESR, DC (mΩ)	LC (72hr) (mA Max.)	Max Continuous Current(A)	Max Peak Current(A)	Specific Energy		Weight (g)	Volume (ml)	Dimension $\varnothing D \times L$ (mm)
							(Wh/kg)	(Wh/L)			
2.5	100	15.0	35.0	0.25	5.3	27.7	3.62	5.07	24	17	22 × 45
	200	10.0	20.0	0.50	10.4	50.0	4.13	5.46	42	32	30 × 45
	300	6.0	15.0	0.75	15.3	68.2	4.20	5.41	62	48	35 × 50
	360	6.0	12.0	0.90	18.5	84.6	4.17	5.41	75	58	35 × 60
	400	6.0	10.0	1.00	20.8	100.0	4.63	6.01	75	58	35 × 60
2.7	100	8.0	10.0	0.27	6.4	67.5	4.82	5.92	21	17	22 × 45
	200	7.0	9.0	0.54	12.3	96.4	5.33	6.37	38	32	30 × 45
	300	3.5	5.0	0.91	18.8	162.0	5.33	6.31	57	48	35 × 50
	360	3.2	3.8	0.97	22.7	205.2	5.21	6.31	70	58	35 × 60
	400	3.2	3.8	1.08	25	214.2	5.79	7.02	70	58	35 × 60

※ $\varnothing 35$ 4 pin type terminal drawing is same see pages 146.