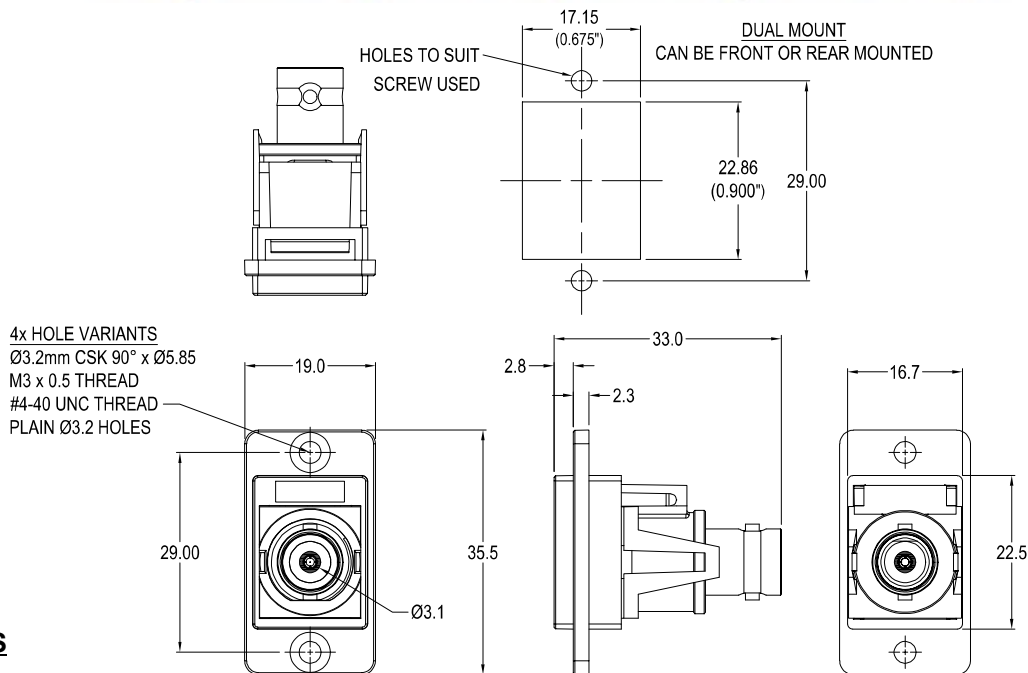


# CLIFF

## DUALSLIM BNC 75 Ohm METAL FRAME FEEDTHROUGH CONNECTOR

Can be front or rear mounted in the panel



### VARIANTS

Part No.

<b>CP30738M</b>	DUALSLIM BNC 75Ω Nickel frame, CSK holes
<b>CP30738MB</b>	DUALSLIM BNC 75Ω Black metal frame, CSK holes
<b>CP30738M3</b>	DUALSLIM BNC 75Ω Nickel frame, M3 holes
<b>CP30738MB3</b>	DUALSLIM BNC 75Ω Black metal frame, M3 holes
<b>CP30738M440</b>	DUALSLIM BNC 75Ω Nickel frame, #4-40 holes
<b>CP30738MB440</b>	DUALSLIM BNC 75Ω Black metal frame, #4-40 holes
<b>CP30738MX1</b>	DUALSLIM BNC 75Ω Nickel frame, Ø3.2 PLAIN holes
<b>CP30738MBX1</b>	DUALSLIM BNC 75Ω Black metal frame, Ø3.2 PLAIN holes

### Feedthrough Features

- Fits standard rectangular cutout.
- Front or rear mounting through the panel.
- Various hole mounting options.
- No soldering or punch termination. Use standard cable for each connector style.
- Low rear profile.

### Material:

1. SLIM Frame: Diecast, Nickel or black plated
2. BNC Frame: ABS UL94 V2
3. BNC Body: Brass - Nickel Plated
4. BNC Centre: Brass - Copper Plated
5. BNC Insulator: PP UL94 V2

### General:

Please note: Functionality is affected by cable quality, length and cable wiring configuration.

For further information, contact [sales@cliffuk.co.uk](mailto:sales@cliffuk.co.uk)

© CLIFF 01/2022 ISS.1

**Cliff Electronic Components Limited,**  
76 Holmethorpe Avenue, Holmethorpe Ind. Estate,  
Redhill, Surrey RH1 2PF U.K.  
Tel: +44 (0)1737 771375 Fax: +44 (0)1737 766012



[www.cliffuk.co.uk](http://www.cliffuk.co.uk)