

WiFi Antenna

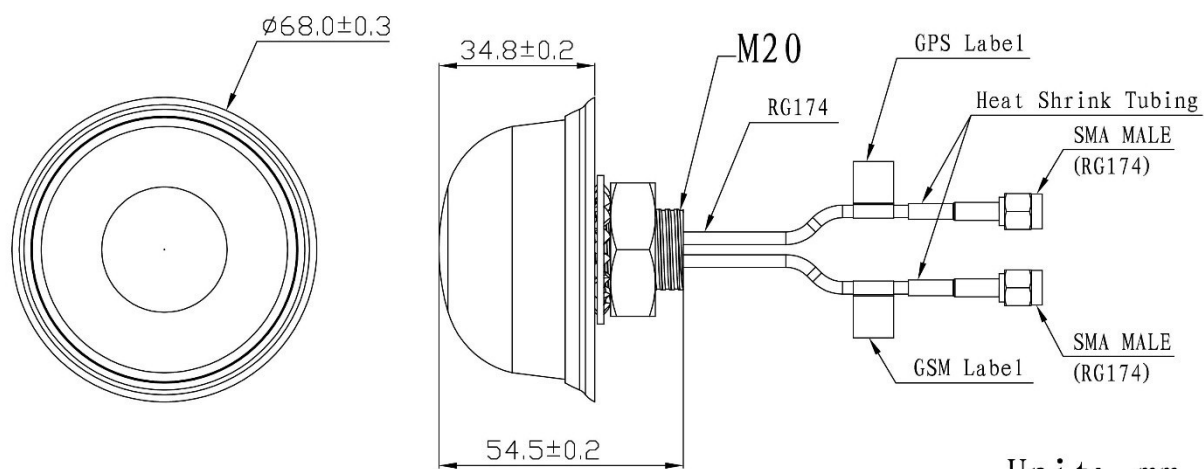
Model : COMBO-ANT601



1 Part Number

COMBO-ANT601

2 Dimension (Unit : mm)



Unit: mm

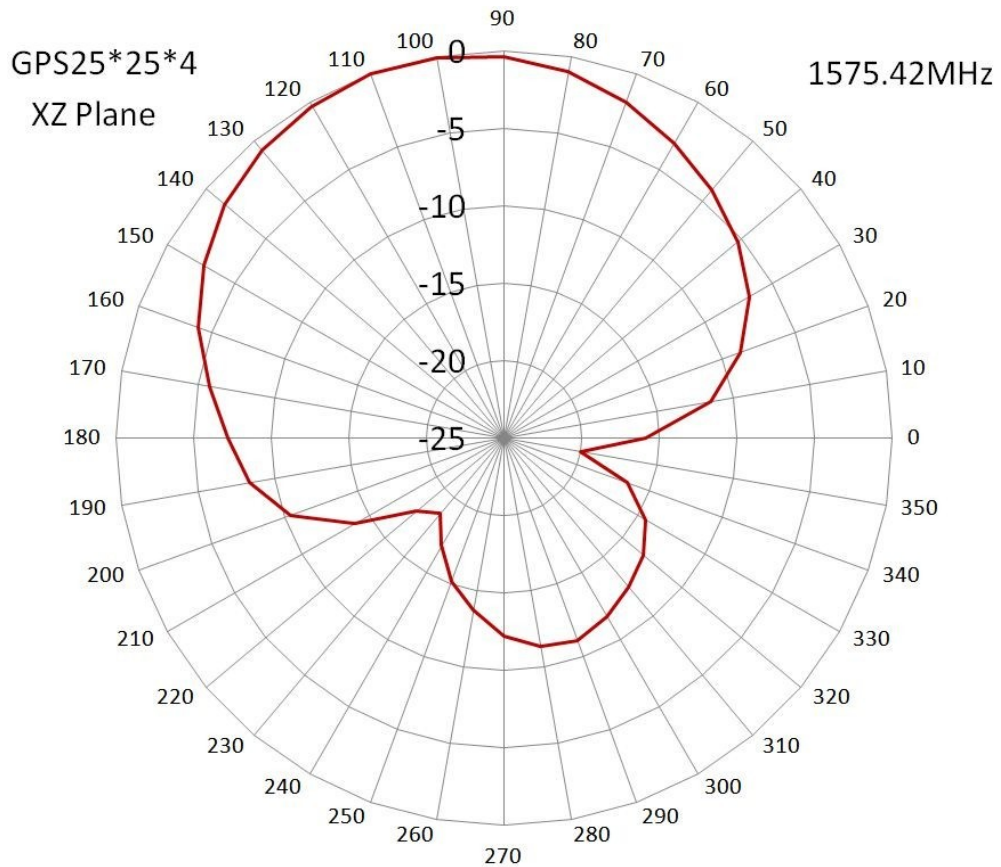
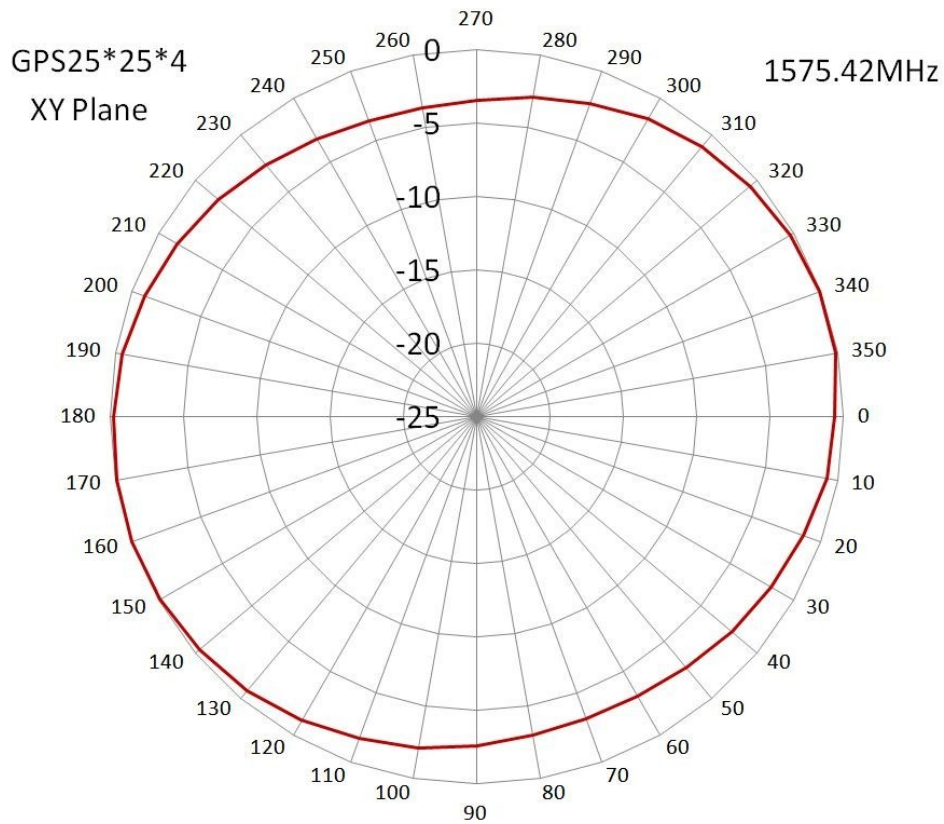
3 Electrical Characteristics

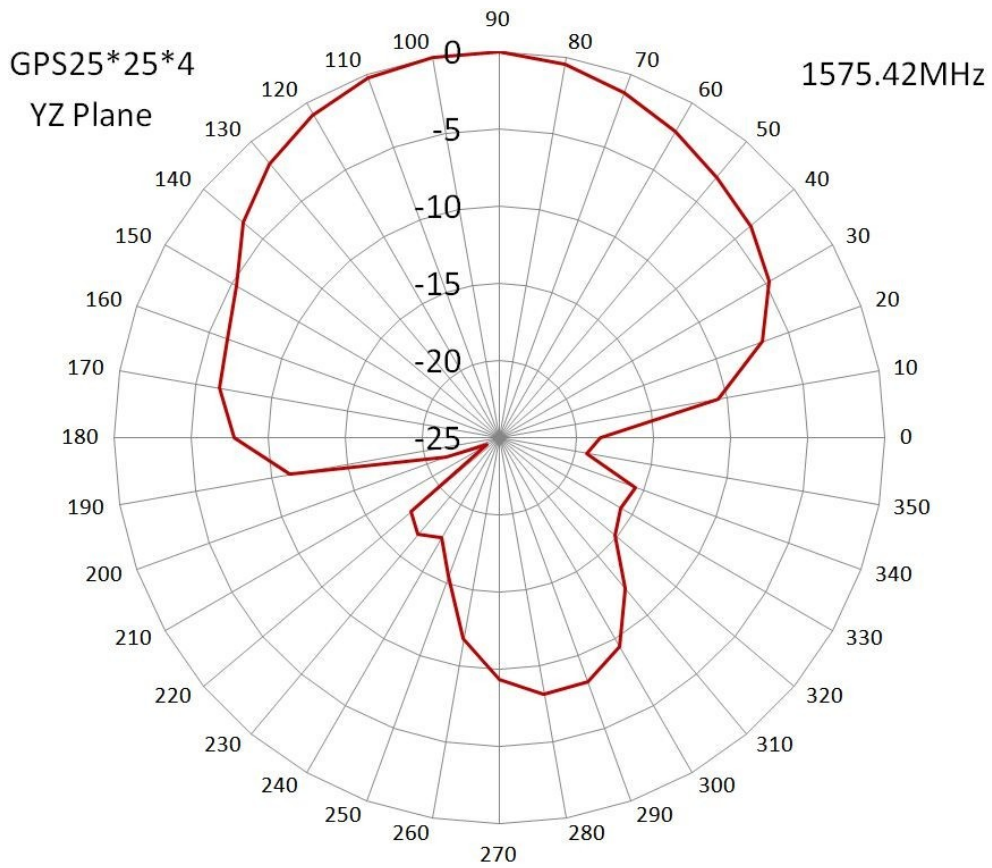
3.1 WiFi Antenna

GPS Antenna	Dielectric Antenna	Center Frequency	1575.42±1MHz
		Band Width	CF±5MHz
		Polarization	RHCP
		Gain	2dBic (Zenith)
		V.S.W.R	< 1.5
		Impedance	50Ω
		Axial Ratio	3dB (max)
	LNA	Gain	28±2dB
		Noise Figure	< 1.5
		Ex-band Attenuation	12dB@CF+50MHz/16dB@CF-50MHz
		V.S.W.R	< 2.0
Supply Voltage		2.2~5V DC	
	Current Consumption	5~15mA	
GSM Antenna	Frequency Range	824~960MHz/1710~2170MHz	
	V.S.W.R	< 2.0	
	Polarization	Linear	
	Gain	2.0dBi	
	Impedance	50Ω	
Mechanical	Cable	RG174	
	Connector	SMA/MCX/FAKRA or others	
	Material	Radome:ABS/Base:Cast Aluminum	
	Mounting Method	Screw	
Environmental	Operating Temperature	-40°C~+85°C	
	Relative Humidity	Up to 95%	
	Ingress Protection	IP67 (exclude cable outlet)	
	Vibration	10 to 55Hz with 1.5mm amplitude 2hours	
	Environmentally Friendly	ROHS Compliant	

4 Radiation Pattern

GPS Antenna





GSM Antenna

