

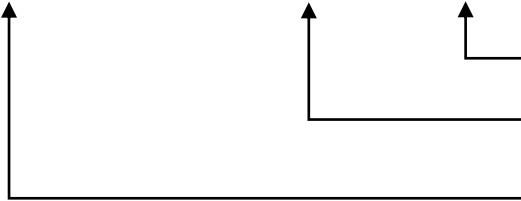
# SPECIFICATIONS

[General Specifications]

Product Name	LED Light Bar			
Model	CLA1S-24A-CD(-30)	CLA2S-24A-CD(-30)	CLA3S-24A-CD(-30)	
Rated Voltage	24V DC (Polarized)			
Operating Voltage Range	24V DC $\pm 10\%$			
Rated Current Consumption	standard	104 mA $\pm 10\%$	208 mA $\pm 10\%$	240 mA $\pm 10\%$
Rated Power Consumption	standard	2.5 W	5.0 W	5.7 W
Operating Ambient Temperature	-40°C to +60°C			
Operating Ambient Humidity	Less than 90% (No condensation)			
Mounting Location	Indoors			
Mounting Direction	All Directions			
Protection Rating	IP66/67 (IEC 60529) /69K (DIN 40050 part9) (Except Cable Terminal)			
Vibration Resistance	19.6 m/s <sup>2</sup> (30Hz, Back and Forth:2h, Right to Left:2h, Up and Down:2h)			
Insulation Resistance	More than 5M $\Omega$ at 500VDC between the terminals and the chassis			
Withstanding Voltage	500VAC applied for 1min between terminals and chassis without breaking insulation			
Luminous Color	Daylight (CD)			
Color Temperature (typ.)	6800 K			
Illuminance (at 24VDC)	0.5m	140 lx	270 lx	400 lx
	1.0m	35 lx	70 lx	105 lx
Luminous Flux		125 lm	240 lm	360 lm
Mass(Tolerance $\pm 10\%$ )		80 g(165g)	130 g(215g)	180 g(265g)
Outer Dimensions	Refer to the Outer Dimension Drawing			
Conformity Standards	UL 2108, CSA-C22.2 No. 250.0 EMC Directive (EN 55011, EN 61000-6-2) RoHS Directive (EN IEC 63000)			
Remarks	<ul style="list-style-type: none"> <li>· Conforms to the CE requirements</li> <li>· UL Listed (File No.E306141)</li> <li>· Specifications may change without notice due to continual product improvement.</li> <li>· Due to the inherent properties of the LED, color variations and hue may occur.</li> <li>· This product's illuminance may be affected when used in airtight conditions.</li> </ul>			

\*Model Number Configuration

CLA□S - 24A - CD - □□



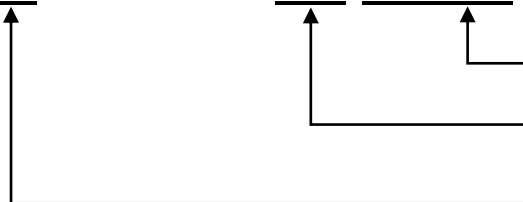
- Cable Length  
Blank: 500mm, -30: 3000mm
- Luminous Color  
CD: Daylight
- Light Unit Length  
1: 100mm, 2: 200mm, 3: 300mm

Drawing No.	Rev.	Page
CLA3S-24A-W18	B	2 / 3

Model	CLA6S-24A-CD(-30)	CLA9S-24A-CD(-30)	
Rated Voltage	24V DC (Polarized)		
Operating Voltage Range	24V DC $\pm 10\%$		
Rated Current Consumption	standard 480 mA $\pm 10\%$	720 mA $\pm 10\%$	
Rated Power Consumption	standard 11.6 W	17.3 W	
Operating Ambient Temperature	-40°C to +60°C		
Operating Ambient Humidity	Less than 90% (No condensation)		
Mounting Location	Indoors		
Mounting Direction	All Directions		
Protection Rating	IP66/67 (IEC 60529) /69K (DIN 40050 part9) (Except Cable Terminal)		
Vibration Resistance	19.6 m/s <sup>2</sup> (30Hz, Back and Forth:2h, Right to Left:2h, Up and Down:2h)		
Insulation Resistance	More than 5M $\Omega$ at 500VDC between the terminals and the chassis		
Withstanding Voltage	500VAC applied for 1min between terminals and chassis without breaking insulation		
Luminous Color	Daylight (CD)		
Color Temperature (typ.)	6800 K		
Illuminance (at 24VDC)	0.3m	1,425 lx	1,575 lx
	0.5m	650 lx	810 lx
	1.0m	200 lx	280 lx
Luminous Flux	690 lm	980 lm	
Mass(Tolerance $\pm 10\%$ )	340 g(425g)	500 g(585g)	
Outer Dimensions	Refer to the Outer Dimension Drawing		
Conformity Standards	UL 2108, CSA-C22.2 No. 250.0 EMC Directive (EN 55011, EN 61000-6-2) RoHS Directive (EN IEC 63000)		
Remarks	<ul style="list-style-type: none"> <li>· Conforms to the CE requirements</li> <li>· UL Listed (File No.E306141)</li> <li>· Specifications may change without notice due to continual product improvement.</li> <li>· Due to the inherent properties of the LED, color variations and hue may occur.</li> <li>· This product's illuminance may be affected when used in airtight conditions.</li> </ul>		

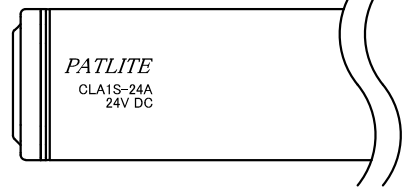
\*Model Number Configuration

CLA□S - 24A - CD - □□



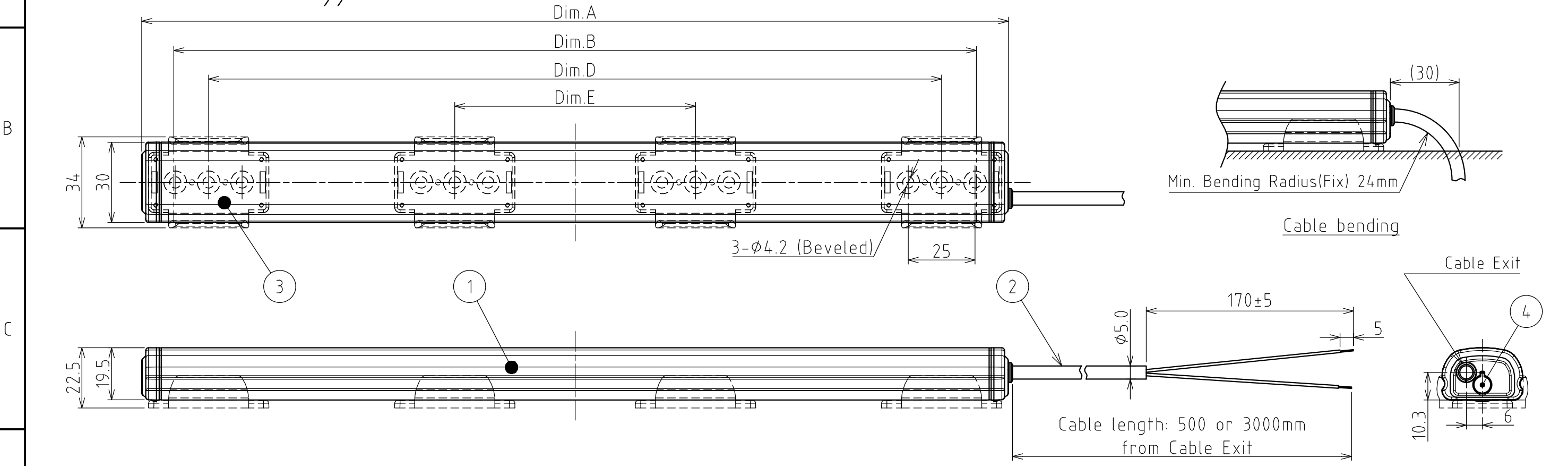
- Cable Length  
Blank : 500mm, -30 : 3000mm
- Luminous Color  
CD : Daylight
- Light Unit Length  
6 : 600mm, 9 : 900mm

EX. CLA1S-24A



指定公差 General tolerance	角度公差 ±[°]			寸法公差 ±[mm]							
	短辺長さ Length of short side	~	~100	6	30	120	300	1000			
	精 f	1	0.5	0.3	0.1	中 m	0.1	0.3	0.5	0.7	1
	粗 v	3	1.5	1	0.5	粗 c	0.3	0.5	1	1.2	2

図番 Drawing No.	CLA3S-24A-W18	
改訂 Rev.	年月日 Date	改訂履歴 Revisions



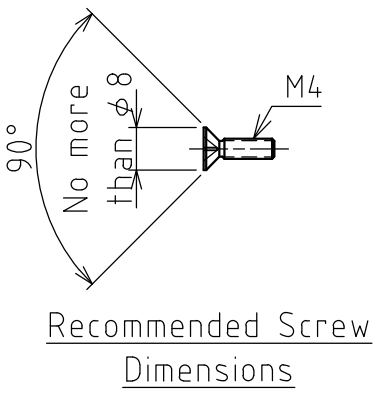
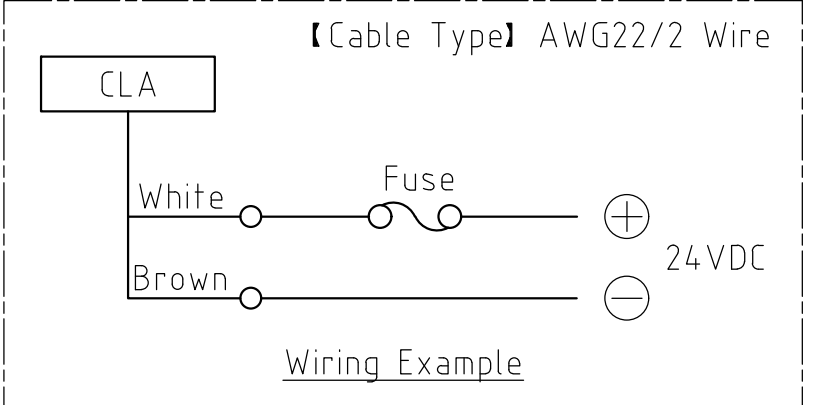
[Chart1 Dimensions]

Model	Dim.A	Dim.B	Dim.D	Dim.E	Accessory Brackets (SZ-310AR)
	Maximum	Lighting	Attachement Pitch		
CLA1S-24A-CD(-30)	124	100	74	-	2pcs.
CLA2S-24A-CD(-30)	224	200	174	-	2pcs.
CLA3S-24A-CD(-30)	324	300	274	-	2pcs.
CLA6S-24A-CD(-30)	624	600	574	-	2pcs.
CLA9S-24A-CD(-30)	924	900	874	290	4pcs.

[Chart2 Corresponding Bracket]

Model	SZ-310AS	SZ-310ASB	SZ-310ARM
CLA1S-24A-CD(-30)	○	×	○
CLA2S-24A-CD(-30)	○	×	○
CLA3S-24A-CD(-30)	○	○	○
CLA6S-24A-CD(-30)	○	×	○
CLA9S-24A-CD(-30)	○*1	×	○

\*1: For CLA9S only, please add SZ-310AR bracket. (2pcs/Dim.E)



- Remarks**
- The screw caps are removable. Please remove them in advance when using high-pressure water applications. (Example: Contamination in a food-processing line)
  - Install the bracket on a sturdy surface with M4 flush-mount screws, and tighten down with a torque of no more than 1N·m. (2 screws recommended.)

4	Screw Cap	2	Silicon
3	Bracket	Chart1	Polycarbonate Resin
2	Power Cable	1	AWG22/2 Wires
1	Cover	1	Polycarbonate Resin
番号 No.	部品名 Part Name	数量 Qty.	記事 Remarks

機種 Model	CLA□S-24A-CD	特注 No. S.P.No.	-	図名 Name	Outer Dimensions Drawing
品目コード Part No.	-	尺度 Scale	-	三角法 3rd Angle P.	単位 Unit mm

株式会社 パトライト  
PATLITE Corporation