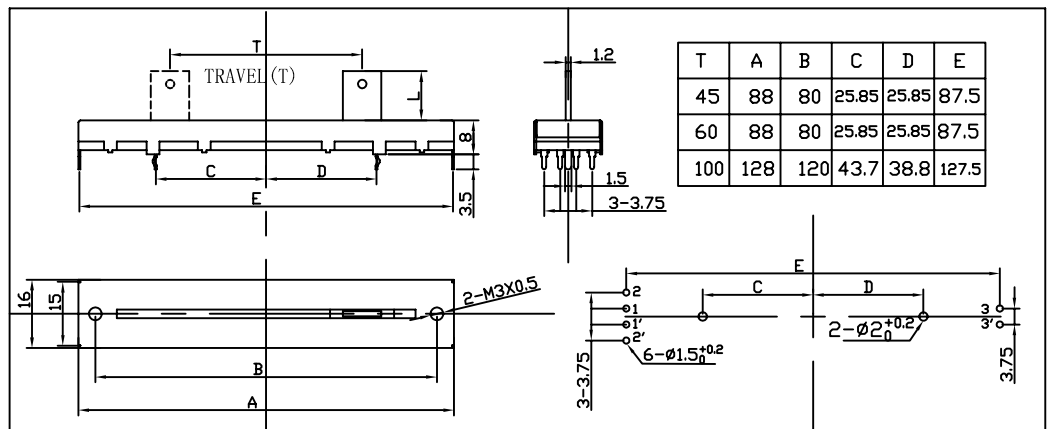
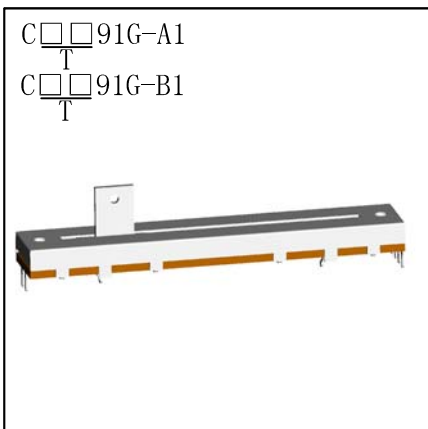
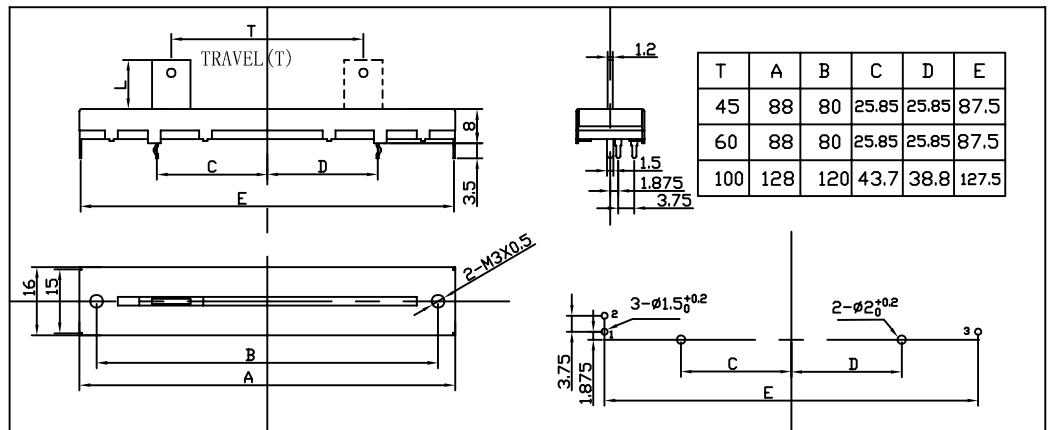
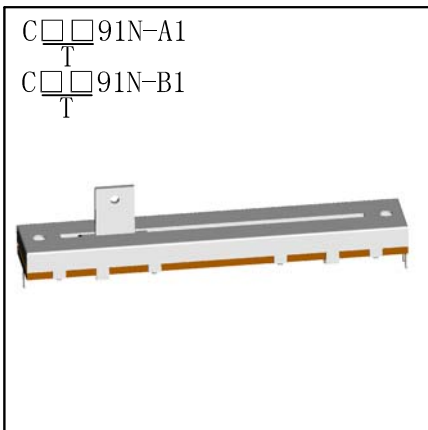
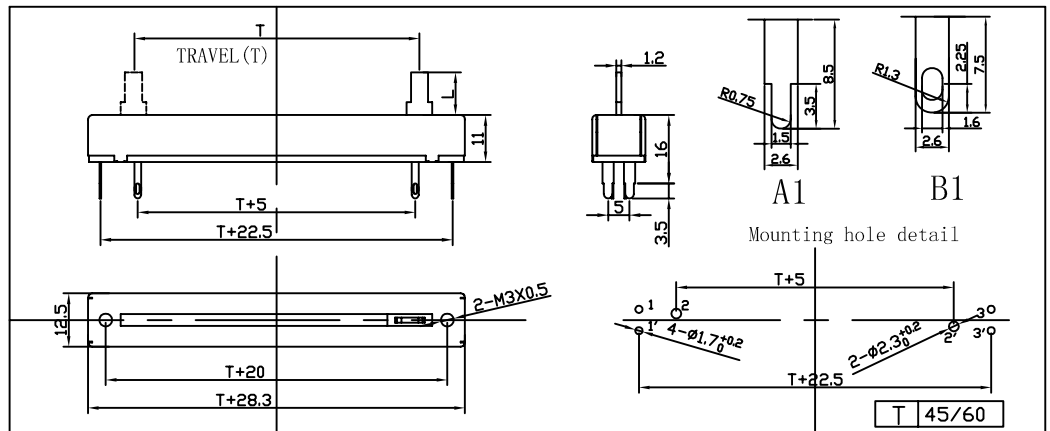
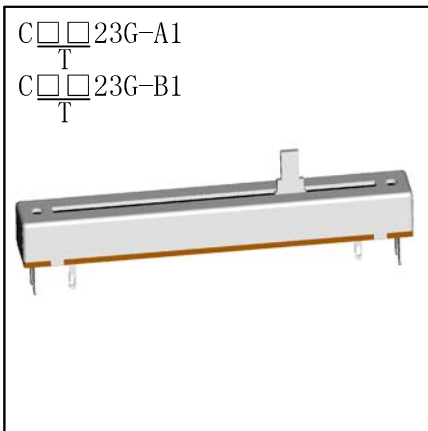
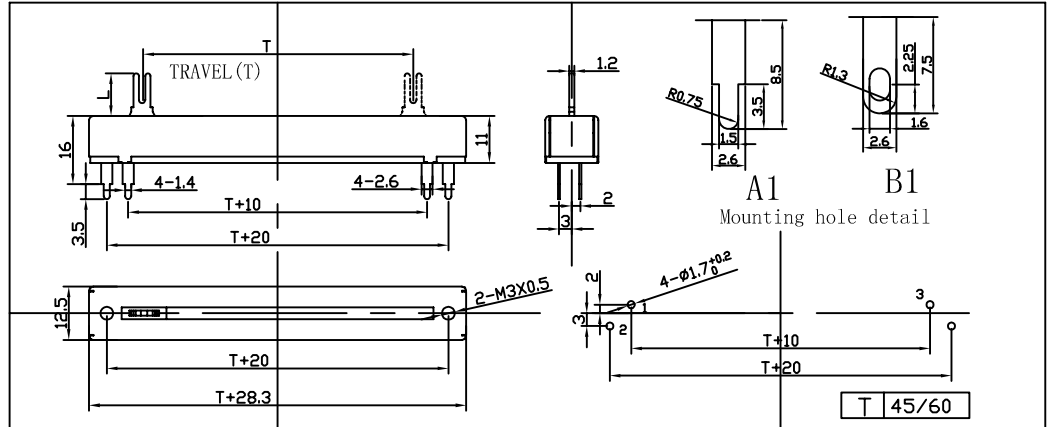
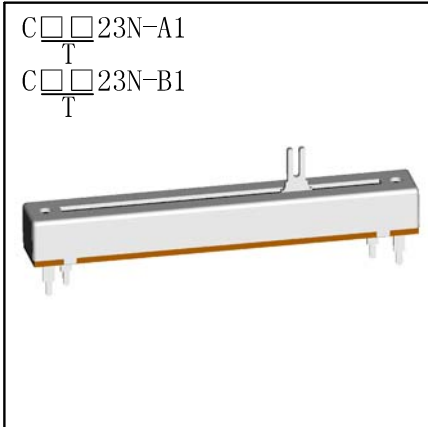


(SLIDE WITH CASE TYPE POTENTIOMETERS)



SLIDE WITH CASE TYPE POTENTIOMETERS

□□□2, □□□05, □□□8, □□□9

Shaft illustration

<p>□□□05N/G Shaft illustration B Insulated Lever Type</p> <p>L 10 15</p>	<p>□□□05N/G Shaft illustration C Insulated Lever Type</p> <p>L 10 15 20</p>	<p>□□□05N/G Shaft illustration CE Insulated Lever Type</p> <p>L 10 15 17.3 20 25 F 7 10 10 10 10</p>	<p>□□□05N/G Shaft illustration DE Insulated Lever Type</p> <p>L 10 15 20 F 7 10 10</p>
<p>□□□05N/G Shaft illustration D Insulated Lever Type</p> <p>L 10 15 20</p>	<p>□□□05N Shaft illustration D Insulated Lever Type</p> <p>L 10 15 20</p>		
<p>□□□23N/G Shaft illustration CH metal Lever Type</p> <p>L 10 15 24 F 7 10 10 A 6 7 7</p>	<p>□□□23N/G Shaft illustration BE metal Lever Type</p> <p>L 5.5 9.5 12 14.5</p>	<p>□□□23N/G Shaft illustration CE metal Lever Type</p> <p>L 10 15 20 25 27 F 5 10 10 10 10</p>	<p>□□□23N/G Shaft illustration DE metal Lever Type</p> <p>L 15 20 25 F 10 10 10</p>
<p>□□□08N/G, □□□09N/G Shaft illustration AE metal Lever Type</p> <p>L 10</p>	<p>□□□08N/G, □□□09N/G Shaft illustration BE metal Lever Type</p> <p>L 8 10 12 15 20</p>	<p>□□□08N/G, □□□09N/G Shaft illustration DE metal Lever Type</p> <p>L 15 17 20</p>	<p>□□□08N/G, □□□09N/G Shaft illustration HE metal Lever Type</p> <p>L 8</p>

□□□2, □□□05, □□□8, □□□9

<p>N:</p> <p>single-unit</p>	<p>NT:</p> <p>single-unit with tap</p>	<p>G:</p> <p>dual-unit</p>
------------------------------	--	----------------------------

(Mechanical characteristics)

Item	C □ 23	C □ 91
Operating Force	20~200gf.cm	15~100gf.cm
Lever stopper strength	5Kgf	3Kgf
Lever deviation	0.5Max(one side)	0.5Max(one side)
Click slip-out force	30~250gf.cm	
Level Push-pull strength	5Kgf.cm Max at 5 sec	

(Electrical characteristics)

Total Resistance tolerance	±20%(More than 500kΩ±30%)	
Total Resistance	1KΩ~1MΩ	1KΩ~1MΩ
Residual resistance	R<10KΩ 10Ω	Less than 10Ω
	10KΩ≤R≤100KΩ, 20Ω	between terminal 1 & 2
	100KΩ<R≤500 KΩ,1-2T:30Ω,2-3T:50Ω	Less than 10Ω
	500KΩ<R≤1 MΩ,1-2T:30Ω,2-3T:50Ω	between terminal 2 & 3
Resistance Tape	A,B,C,D	A,B,C,D,W
(W) Ratings Power	Single unit, B curve,0.5W; except B,0.25W	
	Dual unit, B curve,0.25W; except B,0.125W	
Max. operation voltage	Linear taper B, AC500V	
	Other tapers AC350V	
Slider noise	Less than 47mV	Less than 47mV
Insulation Resistance	More than 100mΩ at DC 500V	More than 100mΩ at DC 500V
Voltage proof	1minute at AC 500V	1minute at AC 500V
Sliding Life	More than 15,000 cycles Min	More than 10,000 cycles Min