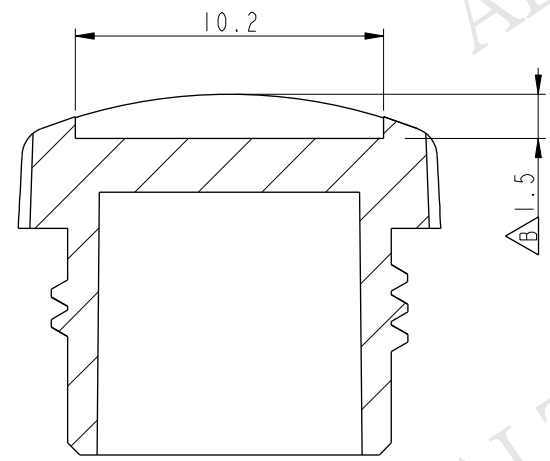
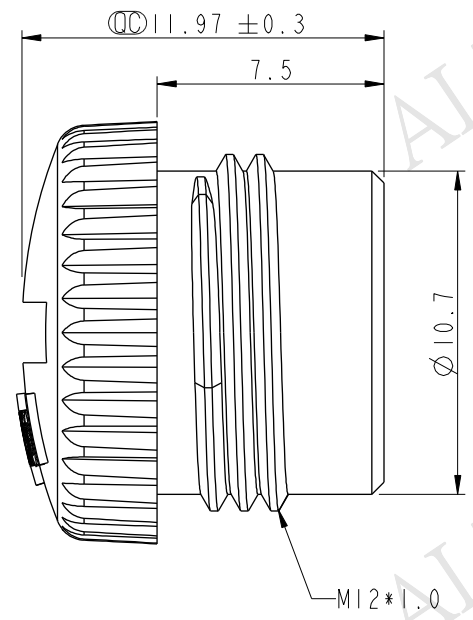
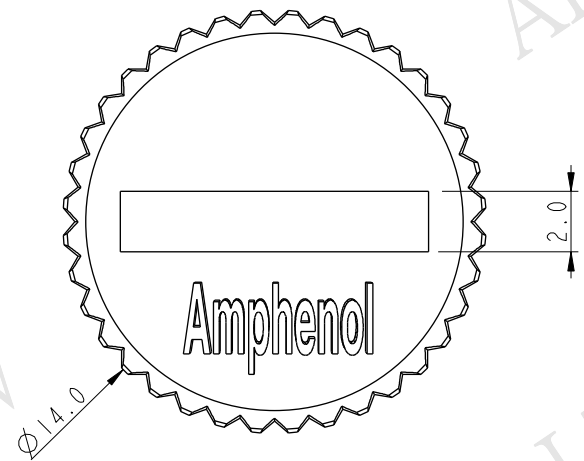


THIS DOCUMENT IS SUBJECT TO CHANGE WITHOUT NOTICE. IT IS CONFIDENTIAL AND A PROPERTY OF Amphenol LTW. DISCLOSURE TO THIRD PARTY HAS TO BE AUTHORIZED BY Amphenol LTW.

REV.	ECN NO.	DATE	SIGN	DESCRIPTION
A	Initial Release	2013/09/12	Vicky	Old Item No. CAP-WBDMFSAI
B	LEN1490175	2014/09/11	Vicky	Update Dimension

**ALTW**  
 CONFIDENTIAL  
 2014-09-11  
 R&D DEPT.



**ALTW**  
 DCC. DEPT.  
 CONFIDENTIAL  
 2014.09.15  
 ISSUED

Note:  
 \*  $\text{⌀}$  Important Dimension.  
 \* Waterproof Rate: IP67  
 \* Cap: PC+ABS, Black

UNIT: mm		
TOLERANCE	.X	±0.25
	.XX	±0.1
	.XXX	±0.05
ANGLES		±1°

TITLE Waterproof Cap M12*1.0P For Female Conn Screw Type			
SCALE	SIZE	SHEET	OF
4:1	A4	1	1
REV.	WC-REV.	Ⓞ: Inspection item	
B	A.1		

**Amphenol LTW**  
 安費諾亮泰企業股份有限公司

ITEM NO. CAP-WBDFSMAI	DRAWN BY Vicky	DATE 2014-09-11
DWG NO. CAP-WBDFSMAI	CHECKED BY Sam	DATE 2014-09-11
CUSTOMER ALTW	APPROVED BY Rita	DATE 2014-09-11