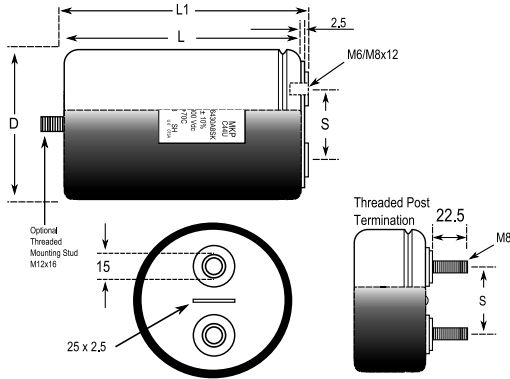


Film, Metallized Polypropylene, DC Link, C44U, 425 uF, 10%, 700 V



**General Information**

<b>Dielectric:</b>	Metallized Polypropylene
<b>Style:</b>	Can
<b>Series:</b>	C44U
<b>Features:</b>	Heavy Duty
<b>RoHS:</b>	Yes
<b>Lead:</b>	Screw Terminals M6
<b>Miscellaneous:</b>	Thermal Resistance = 4.6 C/W. Weight = 656 grams

**Dimensions**

<b>D</b>	76mm +/-1mm
<b>L</b>	140mm +/-2mm
<b>S</b>	31.7mm +/-0.2mm

**Packaging Specifications**

<b>Mounting:</b>	Bolt - M12x16
<b>Packaging:</b>	Bulk
<b>Packaging Quantity:</b>	9

**Specifications**

<b>Capacitance:</b>	425 uF
<b>Capacitance Tolerance:</b>	10%
<b>Voltage DC:</b>	700 VDC
<b>Temperature Range:</b>	-40/+85C
<b>Rated Temperature:</b>	75C
<b>Max dVdt:</b>	6 V
<b>Resistance:</b>	3.2 mOhms (10kHz)
<b>Current:</b>	55 Amps (10kHz 40C), 2550 Amps (Peak)
<b>Inductance:</b>	60 nH