



LogiLink®

Dual Monitors Desk Mount For 17–32" Monitors

Art. No.: BP0172



Raise Your Monitor & Free Up Desk Space

The elegant monitor desk mount allows you to extend, tilt and swivel for the best viewing of your screen. Also include in-arm cable clip routes cables, keeping everything organized.



*The specifications and pictures are subject to change without prior notice.
*All trade names referenced are the registered trademarks of their respective owners.

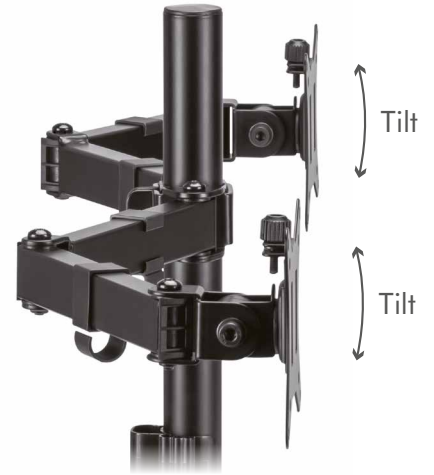


Made in China



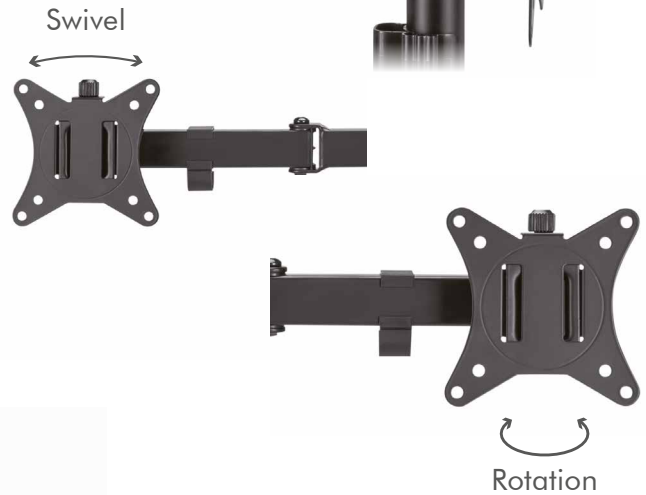
Clutter-free & Ergonomic Design

Frees up your desktop, easily take the strain off of your neck and create better posture to increase work productivity.



Smooth & Flexible Adjustments

Offers exceptional range of motion and height adjustments. Easily rotate, swivel & tilt for your desired viewing angle.



You can set your monitors at a comfortable eye level.

Sleek Modern Look

The simple, slim design of the mount makes for organized cable management, keeping your desk looking clean and tidy.

Easy Installation

Quick setup with detachable VESA plate and clamp or grommet installation to the desktop.



Specifications:

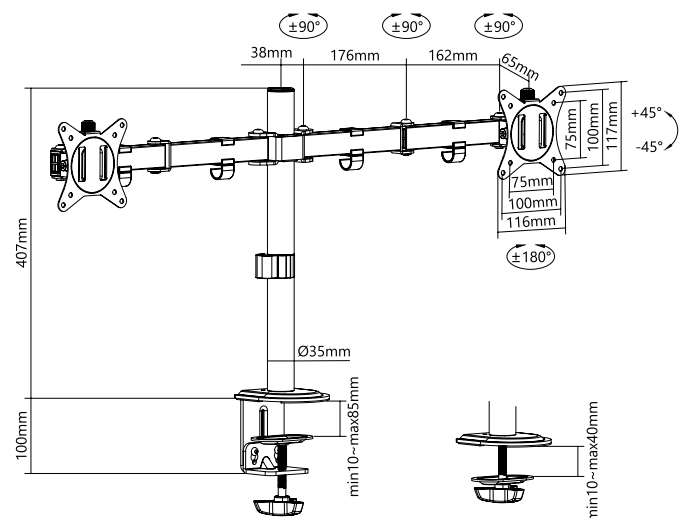
Screen Size	17–32"
Screen Quantity	2
Weight Capacity	Up to 9 kg per arm
VESA Compatible	75x75, 100x100
Tilt Range	+45°/-45°
Swivel Range	+90°/-90°
Screen Rotation	+180°/-180°
Arm Full Extension	37.6 cm
Pole Height	40.7 cm
Quick Release VESA Plate	Yes
Cable Management	Yes
Materials	Steel, plastic
Suggested Desktop Thickness	Clamp: 10–85 mm; Grommet: 10–40 mm
Dimensions	86.9 x 11.2 x 56.1 cm
Color	Black

Package Contents:

- » 1 x Monitor Desk Mount
- » 1 x Screw Package
- » 1 x User Manual

Package Information:

- » Packing Dimension: 415 x 195 x 115 mm
- » Packing Weight: 3.9 kg
- » Carton Dimension: 415 x 195 x 115 mm
- » Carton Q'ty: 1 pc
- » Carton Weight: 3.9 kg



*The specifications and pictures are subject to change without prior notice.
*All trade names referenced are the registered trademarks of their respective owners.



Made in China