


Series B17i snap-open along inner radius | Series B17 along outer radius | Standard

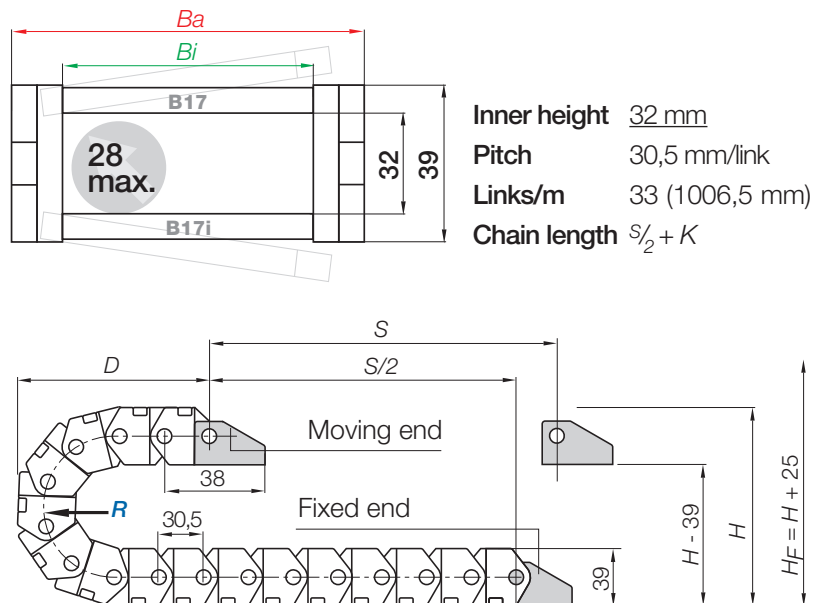
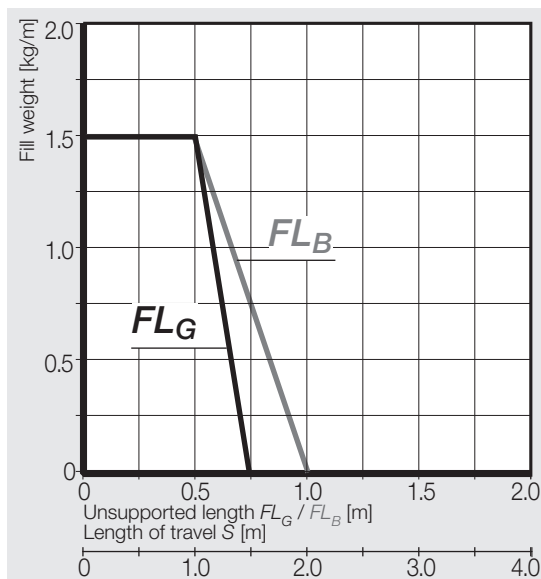
Snap-open along inner radius	Snap-open along outer radius 	<i>Bi</i> [mm]	<i>Ba</i> [mm]	<i>R</i> Bending radii [mm]	B17i [kg/m]	B17 [kg/m]
B17i.1 .R.0**	B17.1 .R.0	15	25,5	048 ¹⁾ 063 075 100 125	≈ 0,52	≈ 0,52
B17i.2 .R.0	B17.2 .R.0	25	35,5	048 063 ¹⁾ 075 ¹⁾ 100 ¹⁾ 125 ¹⁾	≈ 0,59	≈ 0,59
B17i.3 .R.0	B17.3 .R.0	38	48,5	048 063 075 100 125	≈ 0,65	≈ 0,65
B17i.4 .R.0	B17.4 .R.0	50	60,5	048 063 ¹⁾ 075 100 ¹⁾ 125	≈ 0,70	≈ 0,70
B17i.5 .R.0**	B17.5 .R.0	63	76	048* 063 075 100 125	≈ 0,83	≈ 0,83
B17i.6 .R.0**	B17.6 .R.0	80	93	048 063 075 100 125	≈ 0,92	≈ 0,92
B17i.7 .R.0**	B17.7 .R.0	100	113	048* 063 075 100 125	≈ 1,06	≈ 1,06

**Width available upon request, please consult igus® for delivery time *Radius available upon request, please consult igus® for delivery time

1) Radius only for Series B17. For Series B17i available upon request, please consult igus® for delivery time

Supplement Part No. with required radius (*R*). Example: **B17.2.048.0**

Dimensions



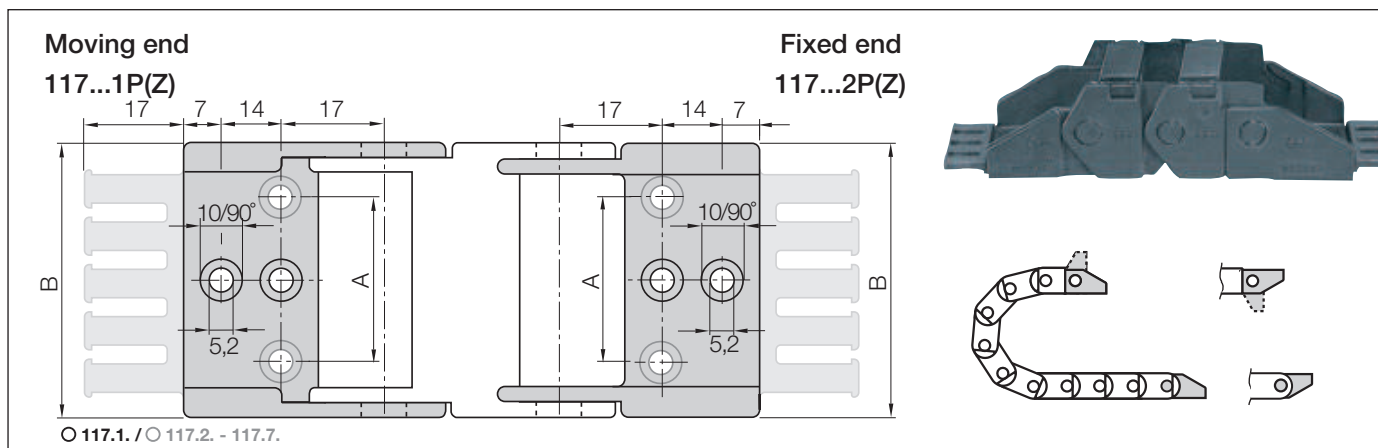
Inner height 32 mm
Pitch 30,5 mm/link
Links/m 33 (1006,5 mm)
Chain length $\frac{S}{2} + K$

<i>R</i>	048	063	075	100	125
<i>H</i>	135	165	189	239	289
<i>D</i>	113	128	140	165	190
<i>K</i>	215	260	300	380	455

The required clearance height: $H_F = H + 25$ mm (with 1,5 kg/m fill weight)

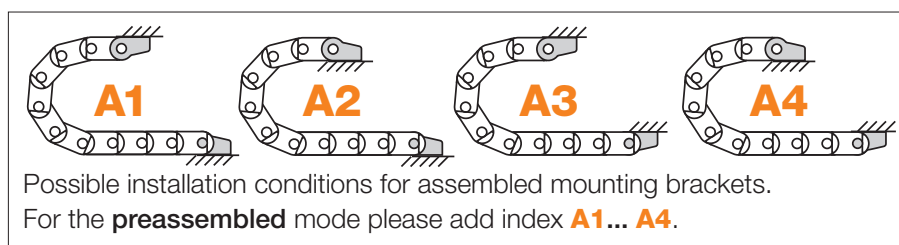
Radii for several widths available upon request (please see delivery program table above).

Mounting brackets, polymer one-piece | locking



Width Index	Part No. full set with tie-wrap plates	Part No. full set without tie-wrap plates	Dim. A [mm]	Dim. B [mm]	Number of teeth
1.	117.1.12PZ	117.1.12P	–	25,5	2
2.	117.2.12PZ	117.2.12P	12	35,5	3
3.	117.3.12PZ	117.3.12P	25	48,5	4
4.	117.4.12PZ	117.4.12P	37	60,5	5
5.	117.5.12PZ	117.5.12P	48	76	6
6.	117.6.12PZ	117.6.12P	65	93	8
7.	117.7.12PZ	117.7.12P	85	113	10

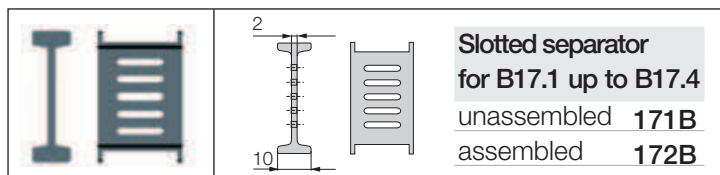
○ Drilling pattern for width index: 117.1. center bores only / ○ 117.2. -117.7. outer bores only (see figure above)



Part No. structure

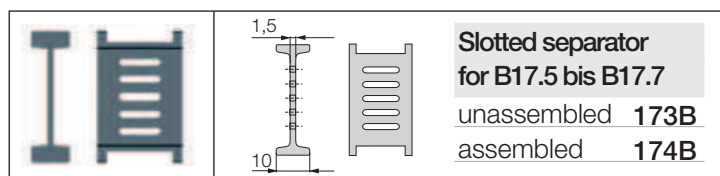
117.2. 12 PZ A1	A... must be indicated on preassembled configurations
117.2. 12 PZ	With strain relief tie-wrap plates
117.2. 12 PZ	Full set locking
117.2. 12 PZ	Mounting bracket for selected width index

Interior separation | Standard | Further interior separation elements ► www.igus.eu/B17



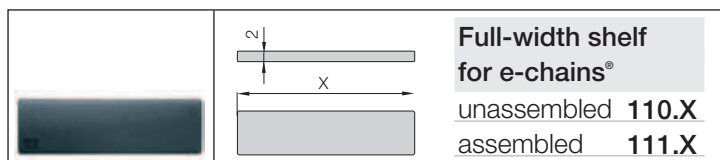
Slotted separator 171B (B17.1 up to B17.4)

Is used when vertical separation is required. Due to its slot, it allows basic vertical/horizontal shelving arrangements.



Slotted separator 173B (B17.5 up to B17.7)

Is used when vertical separation is required. Due to its slot, it allows basic vertical/horizontal shelving arrangements.



Full-width shelf 110.X (for all widths)

This option makes sense in applications with many thin cables with similar diameters. For a consequent subdivision. Full-width shelves can be arranged at 5 different heights (in 5 mm increments).

Full-width shelves

Width X [mm]	unassembled	assembled	Width X [mm]	unassembled	assembled	Width X [mm]	unassembled	assembled
015	110.15	111.15	050	110.50	111.50	100	110.100	111.100
025	110.25	111.25	063	110.63	111.63			
038	110.38	111.38	080	110.80	111.80			