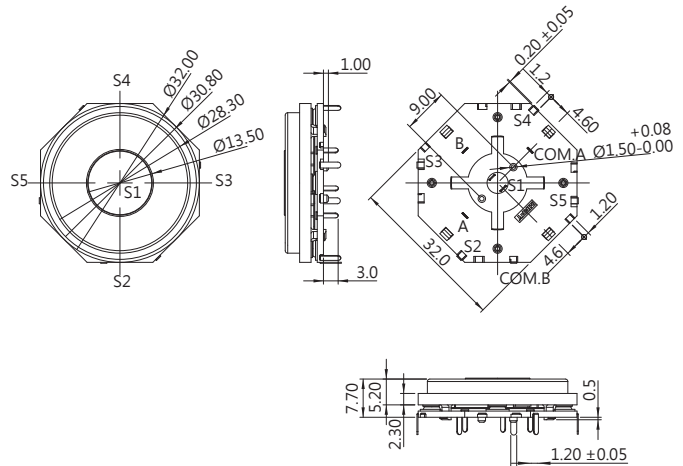


ROTARY SWITCHES



DIMENSIONS

Unless otherwise specified, a tolerance of $\pm 0.4\text{mm}$ applies to all dimensions.



ANQ SERIES

SPECIFICATIONS

Operating Force

Rotation - Max.60 gf-cm
5 way switch - Max. 300 gf

Contact Resistance (initial)

Max. 300m Ω
Measured by ohm meter - open voltage < 1VDC, Driver current - 100mA

Insulation Resistance (at 100VDC/minute)

Min. 100M Ω

Operating Temperature Range

0°C to 40°C

Electrical Service Life

Rotation - Min. 200,000 operations
C.W. 100,000 & C.C.W 100,000 operations
Push - Min. 200,000 operations

Electrical Operating Frequency

Rotation - 30 operations per minute
Push - 120 operations per minute

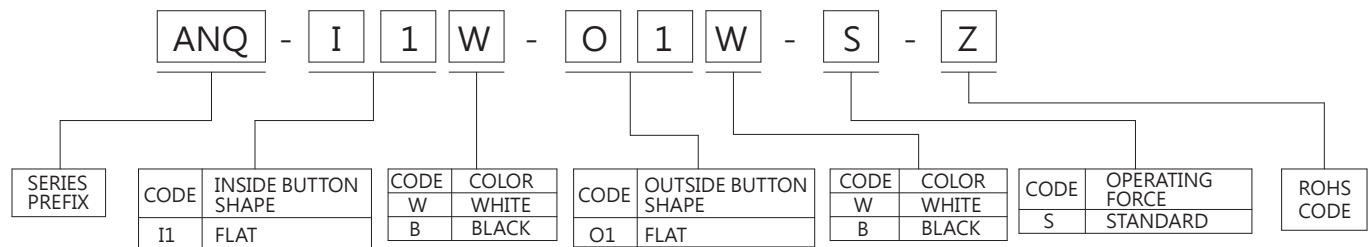
RATING

1mA 10VDC

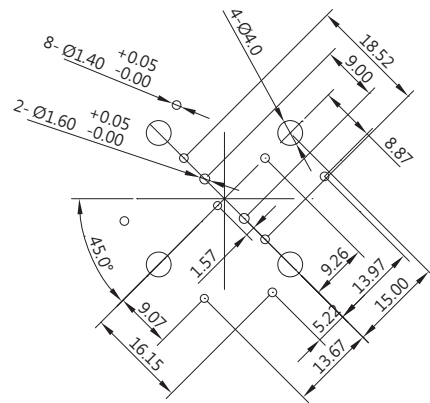
APPLICATIONS

Remote controls, Tablets, Keyboards, Audios, Mp3 players, Notebooks,
Mobile phones, Control Panel

ORDERING INFORMATION

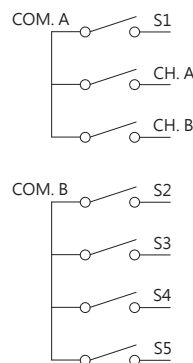


MOUNTING HOLES



CONTACT CONFIGURATION

Functional Block Diagram



Rotational Output Waveform

NO.	ANGLE	-90°	-60°	-30°	0°	30°	60°	90°
CH. A	ON	ON	ON	ON	ON	ON	ON	ON
	OFF	OFF	OFF	OFF	OFF	OFF	OFF	OFF
CH. B	ON	OFF	ON	OFF	ON	OFF	ON	OFF
	OFF	ON	OFF	ON	OFF	ON	OFF	ON

CW ← → CCW

Numbers of detent : 24

Pulse/Rotation : 12 pulse/360°