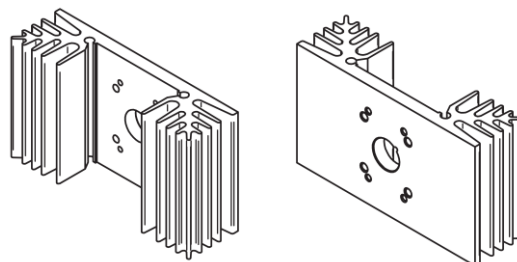


AMS-HS

PRELIMINARY DATASHEET

Example heatsink for AMS detection module series



FEATURES

Compatible with the [AMS3140-01](#) and [AMS6140-01](#)
 Thermal resistance: 6 K/W
 Rapid prototyping and proof-of-concept development
 Designed for easy integration with the AMS detection module series

GENERAL DESCRIPTION

The AMS-HS is an example heatsink for the AMS detection module series. It is designed to be an easy tool for rapid prototyping and proof-of-concept work when a full evaluation kit is not suitable.
 The AMS-HS features threaded mounting holes for the AMS module as well as additional holes compatible with Thorlabs 16 mm cage system for easy integration with external optics.

MECHANICAL LAYOUT

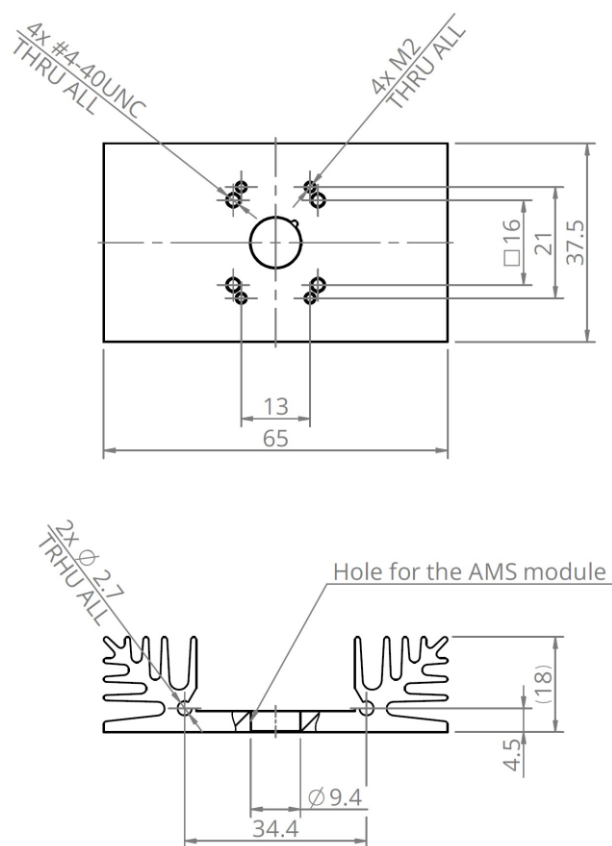


FIGURE 1. Dimensions of the AMS-HS (given in mm)