

ACPL-W611/ACPL-P611

High CMR, High Speed TTL Compatible Optocoupler



Data Sheet

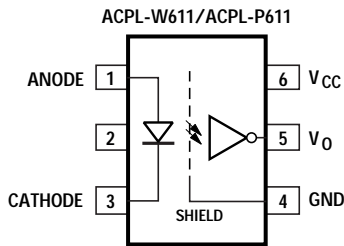
Description

The ACPL-W611/ACPL-P611 is an optically coupled gate that combines a GaAsP light emitting diode and an integrated high gain photo detector. The output of the detector IC is an open collector Schottky clamped transistor. The internal shield provides a guaranteed common mode transient immunity specification of 10,000 V/ μ s for the ACPL-W611.

This unique design provides maximum ac and dc circuit isolation while achieving TTL compatibility. The optocoupler ac and dc operational parameters are guaranteed from -40°C to +85°C allowing trouble-free system performance.

The ACPL-W611/ACPL-P611 is suitable for high speed logic interfacing, input/output buffering, as line receivers in environments that conventional line receivers cannot tolerate and are recommended for use in extremely high ground or induced noise environments.

Functional Diagram



TRUTH TABLE
(POSITIVE LOGIC)

LED	OUTPUT
ON	L
OFF	H

A 0.1 μ F bypass capacitor must be connected between pins V_{CC} and GND.

Features

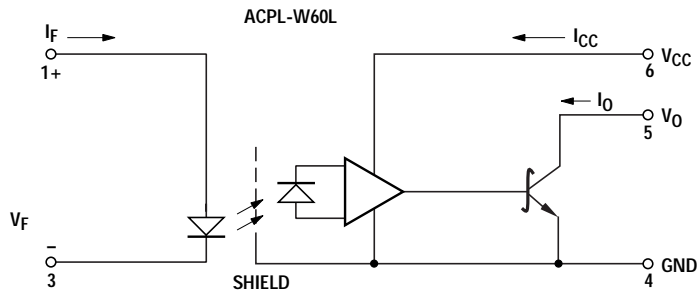
- 10 kV/ μ s minimum Common Mode Rejection (CMR) at V_{CM} = 1000 V
- High speed: 10 MBd typical
- LSTTL/TTL compatible
- Low input current capability: 5 mA
- Guaranteed ac and dc performance over temperature: -40°C to +85°C
- Stretched SO-6 package
- Safety Approval:
 - UL Recognized: 3750 V rms for 1 minute and 5000 V rms* for 1 minute per UL1577– pending approval
 - CSA: pending approval
 - IEC/EN/DIN EN 60747-5-2: pending approval

Applications

- Isolated line receiver
- Computer-peripheral interfaces
- Microprocessor system interfaces
- Digital isolation for A/D, D/A conversion
- Switching power supply
- Instrument input/output isolation
- Ground loop elimination
- Pulse transformer replacement
- Power transistor isolation in motor drives
- Isolation of high speed logic systems

CAUTION: It is advised that normal static precautions be taken in handling and assembly of this component to prevent damage and/or degradation which may be induced by ESD.

Schematic Diagram



Ordering Information

Specify part number followed by option number (if desired).

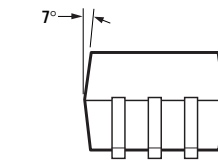
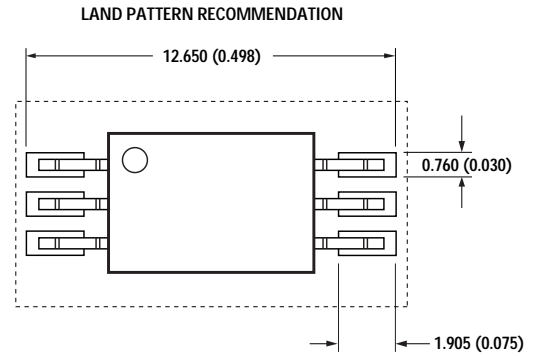
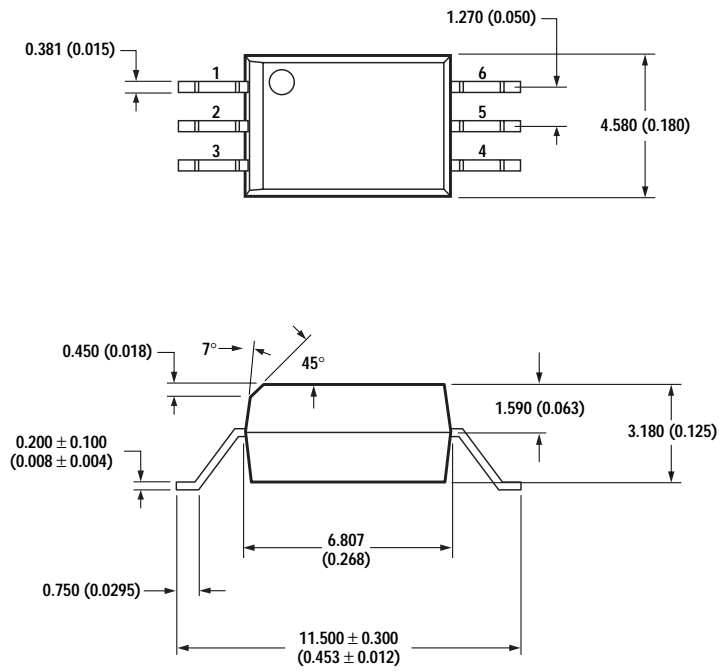
Example:

ACPL-W611-XXXE

- _____ 000 = Standard SS0-6 package, 100 per tube.
- _____ 500 = Tape and Reel Packaging Option.
- _____ 060 = IEC/EN/DIN EN 60747-5-2, $V_{IORM} = 630 V_{PEAK}$
- _____ XXXE = Lead Free Option.

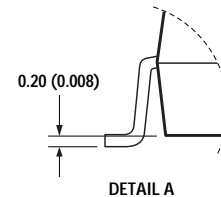
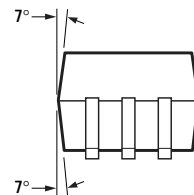
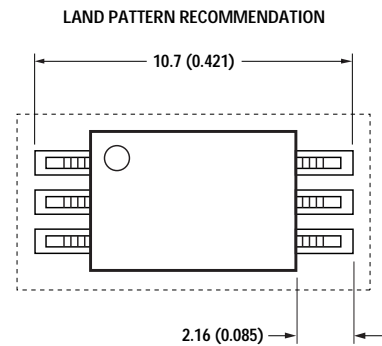
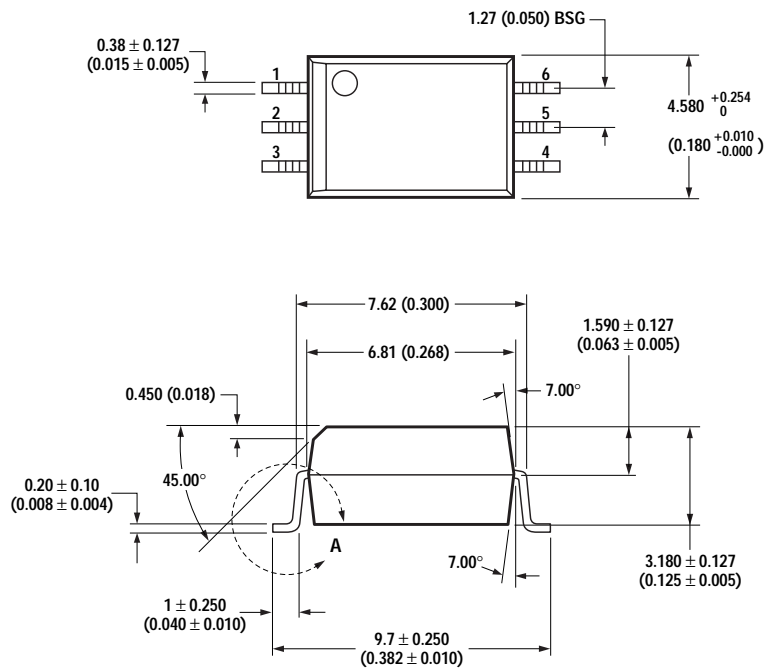
Option data sheets available. Contact Avago Technologies sales representative, authorized distributor, or visit our WEB site at <http://www.avagotech.com/optocouplers>.

Package Outline Drawings
ACPL-W611 Stretched SO-6 Package



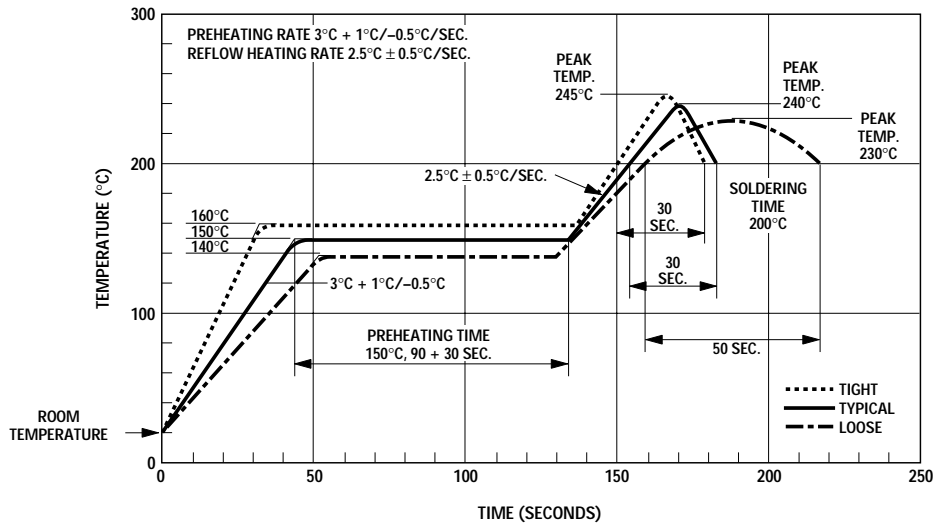
DIMENSIONS IN MILLIMETERS AND (INCHES).
COPLANARITY = 0.10 mm (0.004 INCHES).

ACPL-P611 Stretched SO-6 Package



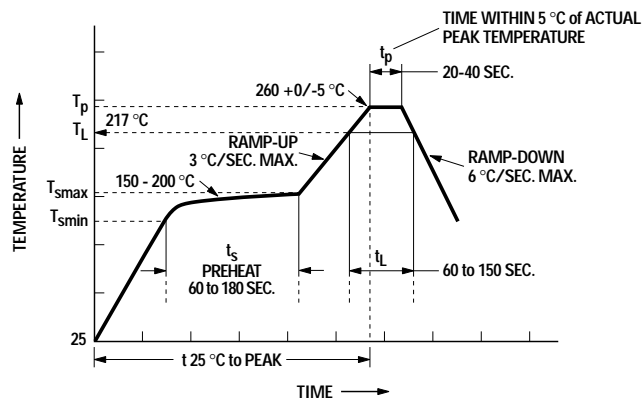
DIMENSIONS IN MILLIMETERS AND (INCHES).
COPLANARITY = 0.10 mm (0.004 INCHES).

Recommended Solder Reflow Thermal Profile



Note: Use of non chlorine-activated fluxes is highly recommended.

Recommended Pb-Free IR Profile



NOTES:
 THE TIME FROM 25 °C to PEAK TEMPERATURE = 8 MINUTES MAX.
 $T_{smax} = 200^{\circ}\text{C}$, $T_{smin} = 150^{\circ}\text{C}$

Note: Use of non chlorine-activated fluxes is highly recommended.

Regulatory Information

The ACPL-W611 and ACPL-P611 is pending approval by the following organizations:

IEC/EN/DIN EN 60747-5-2 (Option 060 only)

Approval under:
 IEC 60747-5-2 :1997 + A1:2002
 EN 60747-5-2:2001 + A1:2002
 DIN EN 60747-5-2 (VDE 0884 Teil 2):2003-01

UL

Approval under UL 1577, component recognition program up to $V_{ISO} = 3750 V_{RMS}$, File E55361.

CSA

Approval under CSA Component Acceptance Notice #5, File CA 88324.

Insulation and Safety Related Specifications

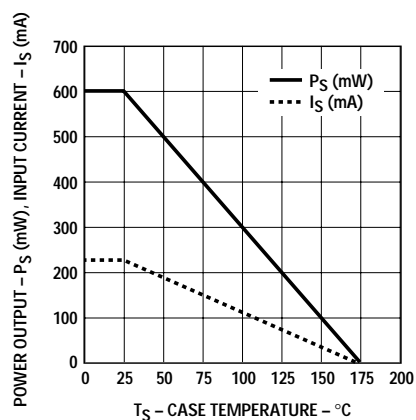
Parameter	Symbol	ACPL-P611	ACPL-W611	Units	Conditions
Minimum External Air Gap (External Clearance)	L(101)	7	8	mm	Measured from input terminals to output terminals, shortest distance through air.
Minimum External Tracking (External Creepage)	L(102)	8	8	mm	Measured from input terminals to output terminals, shortest distance path along body.
Minimum Internal Plastic Gap (Internal Clearance)		0.08	0.08	mm	Through insulation distance conductor to conductor, usually the straight line distance thickness between the emitter and detector.
Tracking Resistance (Comparative Tracking Index)	CTI	175	175	V	DIN IEC 112/VDE 0303 Part 1
Isolation Group		IIIa	IIIa		Material Group (DIN VDE 0110, 1/89, Table 1)

IEC/EN/DIN EN 60747-5-2 Insulation Characteristics* (ACPL-W611/ ACPL-P611 Option 060)

Description	Symbol	Characteristic	Unit
Installation classification per DIN VDE 0110/1.89, Table 1 for rated mains voltage $\leq 150 V_{rms}$ for rated mains voltage $\leq 300 V_{rms}$ for rated mains voltage $\leq 600 V_{rms}$		I – IV I – III I – II	
Climatic Classification		55/100/21	
Pollution Degree (DIN VDE 0110/1.89)		2	
Maximum Working Insulation Voltage	V_{IORM}	630	V_{peak}
Input to Output Test Voltage, Method b*			
$V_{IORM} \times 1.875 = V_{PR}$, 100% Production Test with $t_m = 1$ sec, Partial discharge < 5 pC	V_{PR}	1181	V_{peak}
Input to Output Test Voltage, Method a*			
$V_{IORM} \times 1.5 = V_{PR}$, Type and Sample Test, $t_m = 60$ sec, Partial discharge < 5 pC	V_{PR}	945	V_{peak}
Highest Allowable Overvoltage (Transient Overvoltage $t_{ini} = 10$ sec)	V_{IOTM}	6000	V_{peak}
Safety-Limiting Values – maximum values allowed in the event of a failure.			
Case Temperature	T_S	175	$^{\circ}C$
Input Current**	$I_{S, INPUT}$	230	mA
Output Power**	$P_{S, OUTPUT}$	600	mW
Insulation Resistance at $T_S, V_{IO} = 500$ V	R_S	$> 10^9$	Ω

* Refer to the optocoupler section of the Isolation and Control Components Designer's Catalog, under Product Safety Regulations section, (IEC/EN/DIN EN 60747-5-2) for a detailed description of Method a and Method b partial discharge test profiles.

** Refer to the following figure for dependence of P_S and I_S on ambient temperature.



Absolute Maximum Ratings

Parameter	Symbol	Min.	Max.	Units
Storage Temperature	T_S	-55	125	°C
Operating Temperature	T_A	-40	85	°C
Average Input Current	$I_{F(AVG)}$		20	mA
Reverse Input Voltage	V_R		5	V
Input Power Dissipation	P_I		45	mW
Supply Voltage (1 Minute Maximum)	V_{CC}		7	V
Output Collector Current	I_O		50	mA
Output Collector Voltage	V_O		7	V
Output Collector Power Dissipation	P_O		85	mW
Lead Solder Temperature	T_{LS}		260°C for 10 sec.	
Solder Reflow Temperature Profile	See Package Outline Drawings section			

Recommended Operating Conditions

Parameter	Symbol	Min.	Max.	Units
Input Current, Low Level	I_{FL}	0	250	μA
Input Current, High Level	I_{FH}	5	15	mA
Power Supply Voltage	V_{CC}	4.5	5.5	V
Operating Temperature	T_A	-40	85	°C
Fan Out (at $R_L = 1\text{ k}\Omega$)	N		5	TTL Loads
Output Pull-up Resistor	R_L	330	4k	Ω

Electrical Specifications (DC)

Over recommended operating conditions unless otherwise specified. All typicals at $V_{CC} = 5\text{ V}$, $T_A = 25\text{ }^\circ\text{C}$.

Parameter	Symbol	Min.	Typ.	Max.	Units	Test Conditions	Fig.	Note
High Level Output Current	I_{OH}		5.5	100	μA	$V_{CC} = 5.5\text{ V}$, $V_O = 5.5\text{ V}$, $I_F = 250\text{ }\mu\text{A}$	1	
Input Threshold Current	I_{TH}		2.0	5.0	mA	$V_{CC} = 5.5\text{ V}$, $V_O = 0.6\text{ V}$, $I_{OL} > 13\text{ mA}$	13	
Low Level Output Voltage	V_{OL}		0.35	0.6	V	$V_{CC} = 5.5\text{ V}$, $I_F = 5\text{ mA}$, $I_{OL(Sinking)} = 13\text{ mA}$	2,4, 5,13	
High Level Supply Current	I_{CCH}		4	7.5	mA	$V_{CC} = 5.5\text{ V}$, $I_F = 0\text{ mA}$,		
Low Level Supply Current	I_{CCL}		6	10.5	mA	$V_{CC} = 5.5\text{ V}$, $I_F = 10\text{ mA}$,		
Input Forward Voltage	V_F	1.4 1.3	1.5	1.75 1.8	V	$T_A = 25\text{ }^\circ\text{C}$ $I_F = 10\text{ mA}$	3	
Input Reverse Breakdown Voltage	BV_R	5			V	$I_R = 10\text{ }\mu\text{A}$		
Input Capacitance	C_{IN}		60		pF	$f = 1\text{ MHz}$, $V_F = 0\text{ V}$		
Input Diode Temperature Coefficient	$\Delta V_F/\Delta T_A$		-1.6		mV/°C	$I_F = 10\text{ mA}$	12	

All typicals at $T_A = 25\text{ }^\circ\text{C}$, $V_{CC} = 5\text{ V}$

Switching Specifications (AC)

Over recommended operating conditions $T_A = -40^\circ\text{C}$ to 85°C , $V_{CC} = 5\text{ V}$, $I_F = 7.5\text{ mA}$ unless otherwise specified.
All typicals at $V_{CC} = 5\text{ V}$, $T_A = 25^\circ\text{C}$.

Parameter	Symbol	Min.	Typ.	Max.	Units	Test Conditions	Fig.	Note
Propagation Delay Time to High Output Level	t_{PLH}	20	48	$\frac{75}{100}$	ns	$T_A = 25^\circ\text{C}$ $R_L = 350\ \Omega$, $C_L = 15\text{ pF}$		5
Propagation Delay Time to Low Output Level	t_{PHL}	25	50	$\frac{75}{100}$	ns	$T_A = 25^\circ\text{C}$		6
Pulse Width Distortion	$ t_{PHL} - t_{PLH} $		3.5	35	ns	$R_L = 350\ \Omega$, $C_L = 15\text{ pF}$		10
Propagation Delay Skew	t_{PSK}			40	ns			10, 11
Output Rise Time (10%-90%)	t_R		24		ns			
Output Fall Time (10%-90%)	t_F		10		ns			
Output High Level Common Mode Transient Immunity	$ CM_H $	10	15		kV/ μs	$V_{CC} = 5\text{ V}$, $I_F = 0\text{ mA}$, $V_{O(MIN)} = 2\text{ V}$, $R_L = 350\ \Omega$, $T_A = 25^\circ\text{C}$, $V_{CM} = 1000\text{ V}$		7, 9
Output Low Level Common Mode Transient Immunity	$ CM_L $	10	15		kV/ μs	$V_{CC} = 5\text{ V}$, $I_F = 7.5\text{ mA}$, $V_{O(MAX)} = 0.8\text{ V}$, $R_L = 350\ \Omega$, $T_A = 25^\circ\text{C}$, $V_{CM} = 1000\text{ V}$		8, 9

Package Characteristics

All typicals at $T_A = 25^\circ\text{C}$.

Parameter	Symbol	Min.	Typ.	Max.	Units	Test Conditions	Fig.	Note
Input-Output Insulation	V_{ISO}	3750			V_{rms}	$RH < 50\%$ for 1 min. $T_A = 25^\circ\text{C}$		3, 4
Input-Output Resistance	R_{I-O}		10^{12}		Ω	$V_{I-O} = 500\text{ V}$		3
Input-Output Capacitance	C_{I-O}		0.6		pF	$f = 1\text{ MHz}$, $T_A = 25^\circ\text{C}$		3

Notes:

- Bypassing of the power supply line is required with a 0.1 μF ceramic disc capacitor adjacent to each optocoupler. The total lead length between both ends of the capacitor and the isolator pins should not exceed 10 mm.
- Peaking circuits may produce transient input currents up to 50 mA, 50 ns maximum pulse width, provided average current does not exceed 20 mA.
- Device considered a two terminal device: pins 1, 2 and 3 shorted together, and pins 4, 5 and 6 shorted together.
- In accordance with UL 1577, each optocoupler is proof tested by applying an insulation test voltage $\geq 4500 V_{RMS}$ for 1 second (Leakage detection current limit, $I_{I-O} \leq 5\ \mu\text{A}$).
- The t_{PLH} propagation delay is measured from 3.75 mA point on the falling edge of the input pulse to the 1.5 V point on the rising edge of the output pulse.
- The t_{PHL} propagation delay is measured from 3.75 mA point on the rising edge of the input pulse to the 1.5 V point on the falling edge of the output pulse.
- CM_H is the maximum tolerable rate of rise of the common mode voltage to assure that the output will remain in a high logic state (i.e., $V_{OUT} > 2.0\text{ V}$).
- CM_L is the maximum tolerable rate of fall of the common mode voltage to assure that the output will remain in a low logic state (i.e., $V_{OUT} > 0.8\text{ V}$).
- For sinusoidal voltages, $(|dV_{CM}|/dt)_{max} = \pi f_{CM} V_{CM(p-p)}$.
- See application section; "Propagation Delay, Pulse-Width Distortion and Propagation Delay Skew" for more information.
- t_{PSK} is equal to the worst case difference in t_{PHL} and/or t_{PLH} that will be seen between units at any given temperature within the worst case operating condition range.

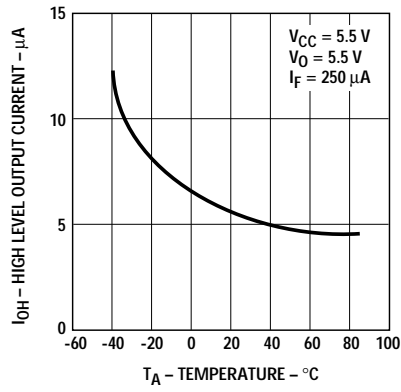


Figure 1. High level output current vs. temperature

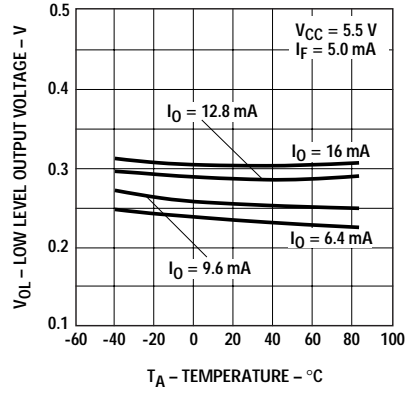


Figure 2. Low level output voltage vs. temperature

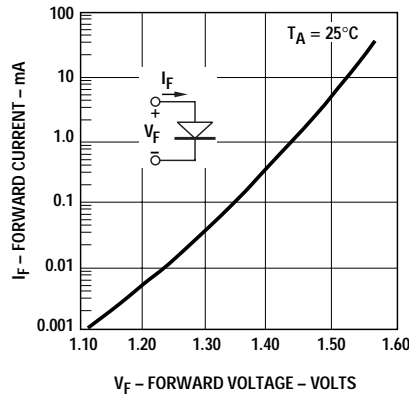


Figure 3. Input diode forward characteristic

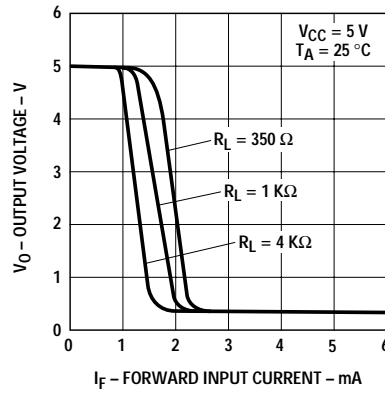


Figure 4. Output voltage vs. forward input current

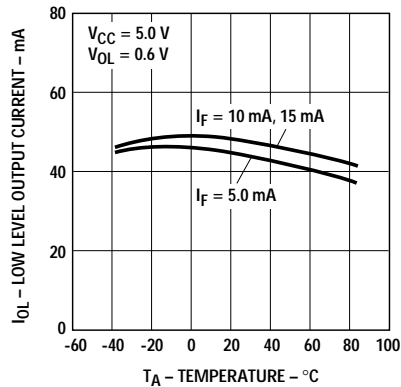


Figure 5. Low level output current vs. temperature

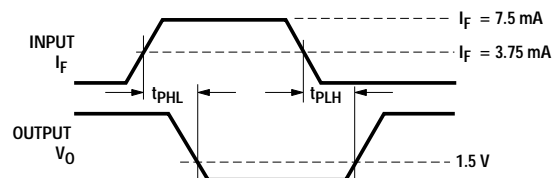
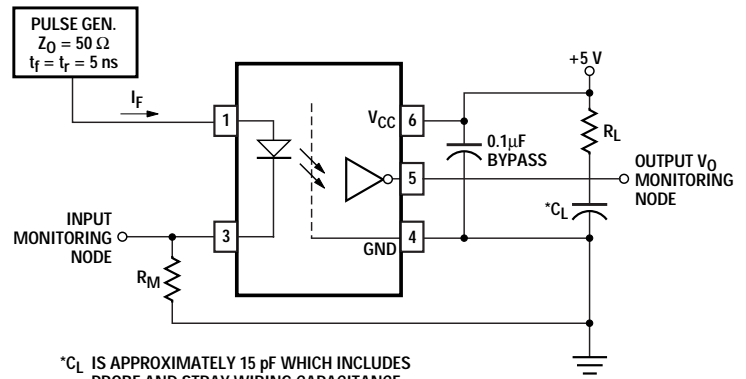


Figure 6. Test circuit for t_{PHL} and t_{PLH}

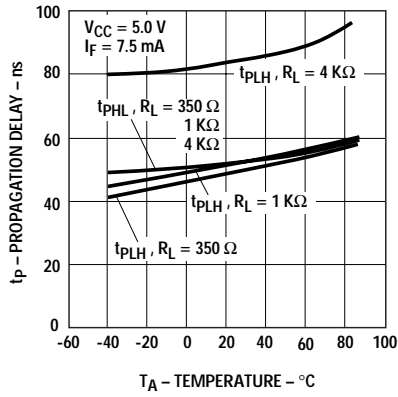


Figure 7. Propagation delay vs. temperature

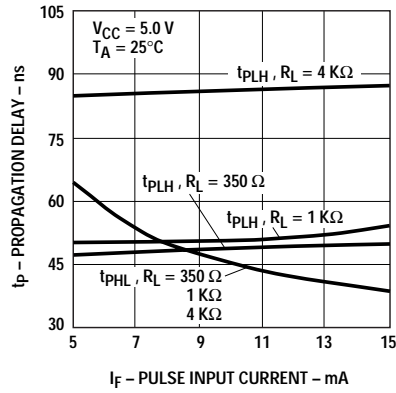


Figure 8. Propagation delay vs. pulse input current

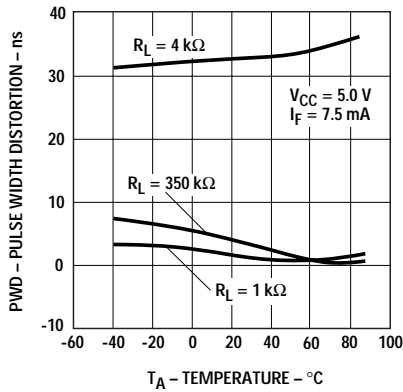


Figure 9. Pulse width distortion vs. temperature

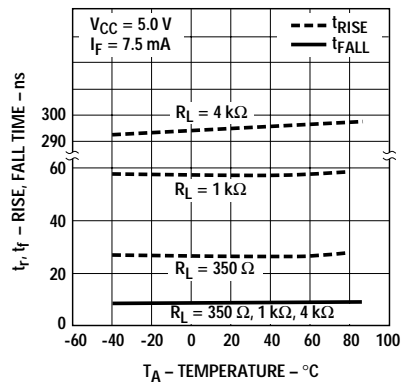


Figure 10. Rise and fall time vs. temperature

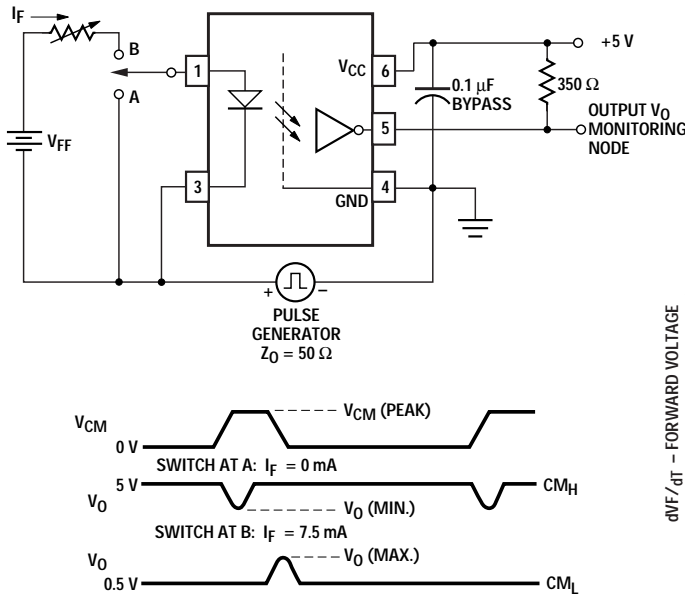


Figure 11. Test circuit for common mode transient immunity and typical waveforms

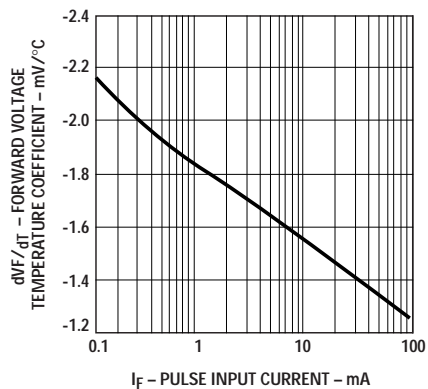


Figure 12. Temperature coefficient for forward voltage vs. input current

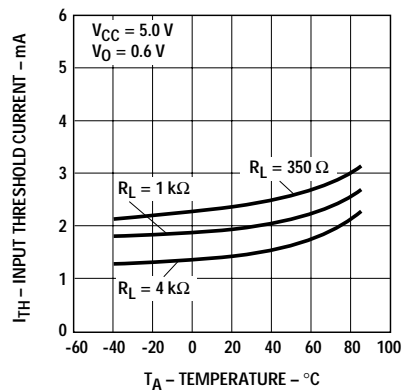


Figure 13. Input threshold current vs. temperature

For product information and a complete list of distributors, please go to our website: www.avagotech.com

Avago, Avago Technologies, and the A logo are trademarks of Avago Technologies Limited in the United States and other countries. Data subject to change. Copyright © 2006 Avago Technologies Limited. All rights reserved. AV01-0208EN June 15, 2006

