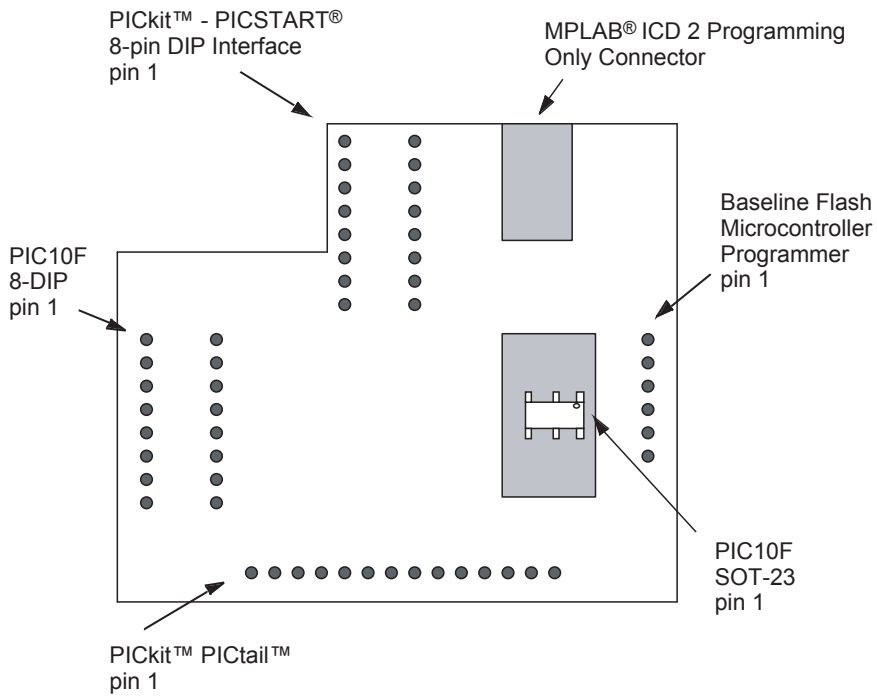


## AC163020 – Top Side View



**Note:** Non-active DIP pins are for mechanical stability.

## Worldwide Sales and Service

Americas: Atlanta 770-640-0034 • Boston 978-692-3848 • Chicago 630-285-0071 • Dallas 972-818-7423 • Detroit 248-538-2250 • Kokomo 765-864-8360 • Los Angeles 949-263-1888 • Phoenix 480-792-7200 • San Jose 650-215-1444 • Toronto 905-673-0699 • Asia/Pacific: Australia 61-2-9868-6733 • India 91-80-2290061 • Japan 81-45-471- 6166 • Korea 82-2-554-7200 • Singapore 65-6334-8870 • Taiwan 886-2-2717-7175 • Taiwan-Kaohsiung 886-7-536-4818 • China: Beijing 86-10-85282100 • Chengdu 86-28-86766200 • Fuzhou 86-591-7503506 • Hong Kong SAR 852-2401-1200 • Qingdao 86-532-5027355 • Shanghai 86-21-6275-5700 • Shenzhen 86-755-82901380 • Shunde 86-757-28395507 • Europe: Austria 43-7242-2244-399 • Denmark 45-4420-9895 • France 33-1-69-53-63-20 • Germany 49-89-627-144-0 • Italy 39-0331-742611 • Netherlands 31-416-690399 • United Kingdom 44-118-921-5869 (As of 3/04)



---

Microchip Technology Inc. • 2355 W. Chandler Blvd. • Chandler, AZ 85224-6199 USA  
(480) 792-7200 • FAX (480) 792-7277

The Microchip name and logo, the Microchip logo, Accuron, dsPIC, KEELoG, microID, MPLAB, PIC, PICmicro, PICSTART, PRO MATE, PowerSmart, rPIC, and SmartShunt are registered trademarks of Microchip Technology Incorporated in the U.S.A. and other countries. AmpLab, FilterLab, MXDEV, MXLAB, PICMASTER, SEEVAL, SmartSensor and The Embedded Control Solutions Company are registered trademarks of Microchip Technology Incorporated in the U.S.A. Analog-for-the-Digital Age, Application Maestro, dsPICDEM, dsPICDEM.net, dsPICworks, ECAN, ECONOMONITOR, FanSense, FlexROM, fuzzyLAB, In-Circuit Serial Programming, ICSP, ICEPIC, Migratable Memory, MPASM, MPLIB, MPLINK, MPSIM, PICkit, PICDEM, PICDEM.net, PICLAB, PICtail, PowerCal, PowerInfo, PowerMate, PowerTool, rLAB, rPICDEM, Select Mode, Smart Serial, SmartTel and Total Endurance are trademarks of Microchip Technology Incorporated in the U.S.A. and other countries. SQTP is a service mark of Microchip Technology Incorporated in the U.S.A. All other trademarks mentioned herein are property of their respective companies.  
© 2004, Microchip Technology Incorporated, Printed in the U.S.A., All Rights Reserved. 6/04 DS51478A

