

## AC1060 • 60 Amp Current Transformer

### Low Cost 50/60Hz Current Transformers

#### Applications

- Sensing Overload Current
- Ground fault detection
- Metering
- Analog to Digital Circuits

#### Features

- Competitive pricing due to high volume production
- Confirms to UL94V-0
- Manufactured in an ISO 9001:2015 and ISO 14001:2015 certified Talema facility
- Fully RoHS & REACH Compliant

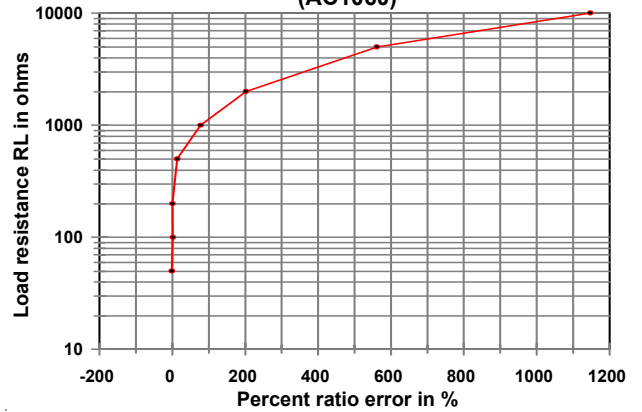


#### Environmental Specifications

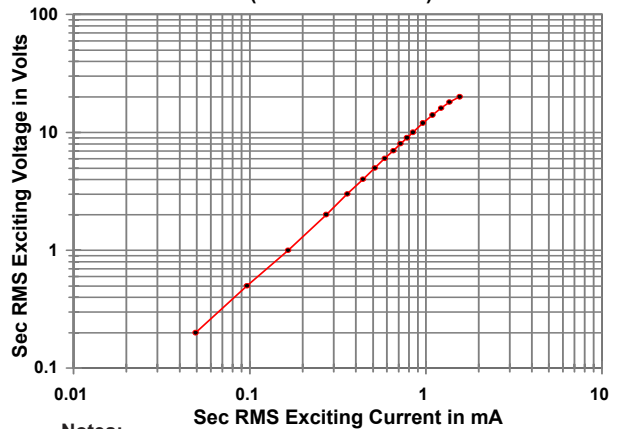
Storage Temperature	-55° to +130°C
Insulation Resistance	100 megohms min.

Electrical Specifications @ 20°C ambient	
Primary Current	60A nom., 200A max.
Turns Ratio	1000:1 nominal
Volt per Amp Ratio at 60A for 100 ohm load	0.100 V/A
Volt per Amp Ratio at 6A for 100 ohm load	0.0984 V/A
DC Resistance at 20°C	24 ohms
Dielectric Withstanding Voltage (Hi-pot)	4KVrms

**%RE vs RL at Rated primary current (AC1060)**

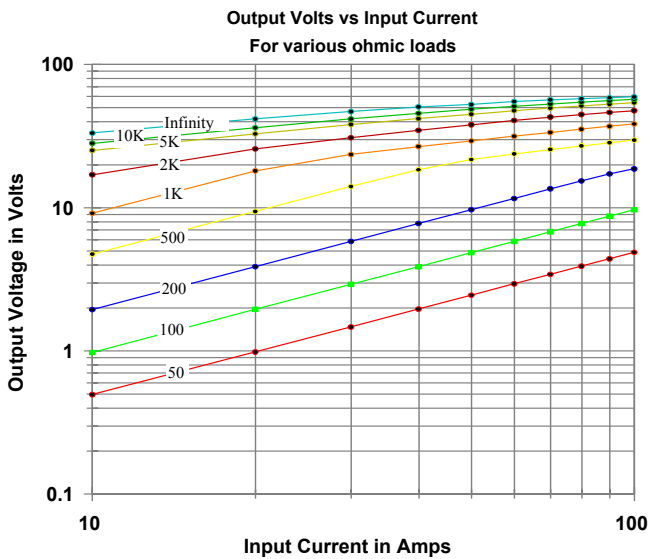
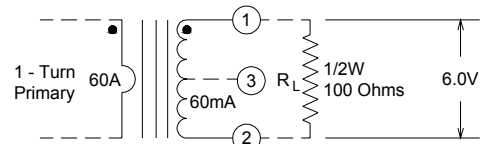


**Typical Excitation Curve (AC1060-AC1075)**

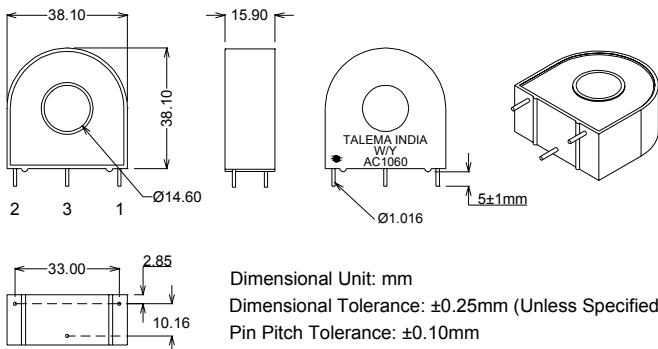


#### Notes:

- 1) Unless requested, the terminating resistor and the one-turn primary are not supplied
- 2) Pin 3: Normally for mechanical support only but will be used on center tapped designs



#### Mechanical Drawing



**Regional Locations - Design, Manufacturing, Sales & Marketing**

**Talema Group Regional Offices**

**North America**

**United States  
(Sales & Marketing)**

**Talema Group, LLC**  
 PO Box 935  
 900 Innovation Drive  
 Suite 120, Rolla  
 Missouri 65402  
 Tel: +1 573-303-3675  
 E-Mail:  
[sales@talemagroup.com](mailto:sales@talemagroup.com)  
 Web: [www.talema.com](http://www.talema.com)

**Asia**

**India  
(Design, Manufacturing, Sales & Marketing)**

**Administrative Office**  
**Talema Electronic India Private Limited**  
 Door No. 221, 1st and 2nd Floor  
 KJ Plaza, Opp.to Vidya Mandir School  
 Meyanoor Main Road  
 Salem - 636 004 Tamil Nadu INDIA  
 Tel: +91 427 - 243 3100  
 Fax: +91 427 - 243 3109  
 E-Mail: [talema@talemaindia.net](mailto:talema@talemaindia.net)  
 Web: [www.talema.com](http://www.talema.com)

**Factory Premises**  
**Talema Electronic India Private Limited**  
 Plot Nos. 30, 31 Electrical and Electronic  
 Industrial Estate  
 Suramangalam  
 Salem - 636 005 Tamil Nadu INDIA  
 Tel: +91 427 - 243 3000  
 E-Mail: [talema@talemaindia.net](mailto:talema@talemaindia.net)  
 Web: [www.talema.com](http://www.talema.com)

**Europe**

**Germany  
(Design, Sales & Marketing)**

**Talema Elektronik GmbH**  
 Sembdnerstr. 5  
 82110 Germering  
 Tel: +49 89 - 841 00 - 0  
 Fax: +49 89 - 841 00 25  
 E-Mail: [info@talema.de](mailto:info@talema.de)  
 Web: [www.talema.com](http://www.talema.com)

**Ireland  
(Design, Sales & Marketing)**

**Nuvotem TEO**  
 Units W & X, Gweedore Business Park  
 Derrybeg, Letterkenny, Co. Donegal  
 Tel: +353 (0) 74 95 48666  
 Fax: +353 (0) 74 95 48139  
 E-Mail: [info@nuvotem.com](mailto:info@nuvotem.com)  
 Web: [www.nuvotem.com](http://www.nuvotem.com)

**Czech Republic  
(Design, Manufacturing, Sales & Marketing)**

**NT Magnetics s.r.o.**  
 Chebská 27  
 322 00 Plzeň  
 Tel: +420 377 - 338 351  
 Fax: +420 377 - 338 350  
 E-Mail: [talema@talema.cz](mailto:talema@talema.cz)  
 Web: [www.ntmagnetics.cz](http://www.ntmagnetics.cz)

**Locations of Talema Group Regional Offices**

