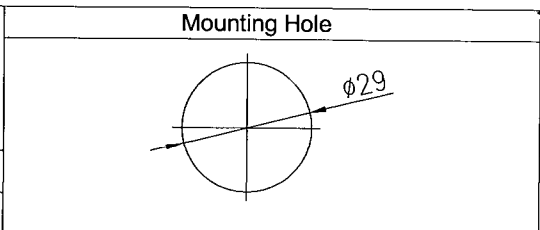
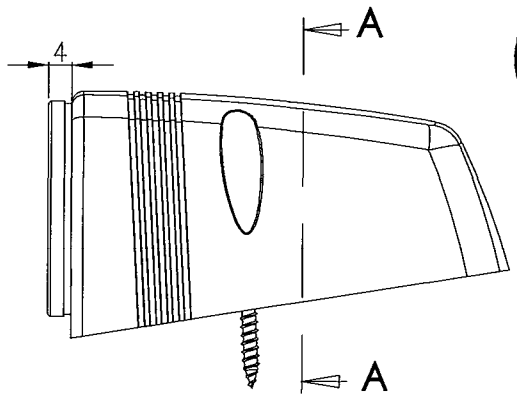
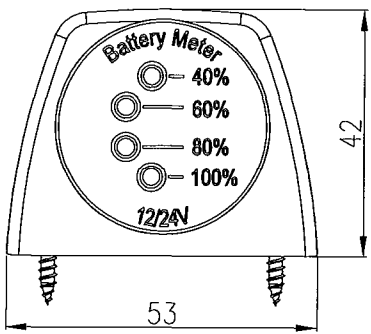
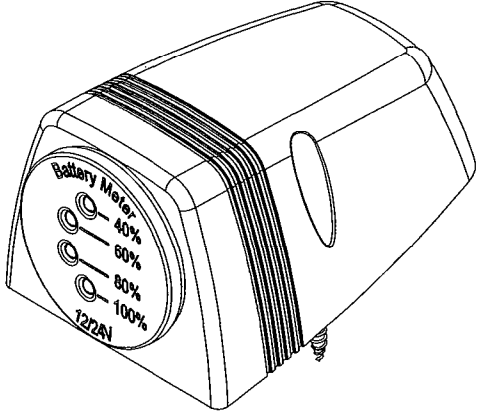
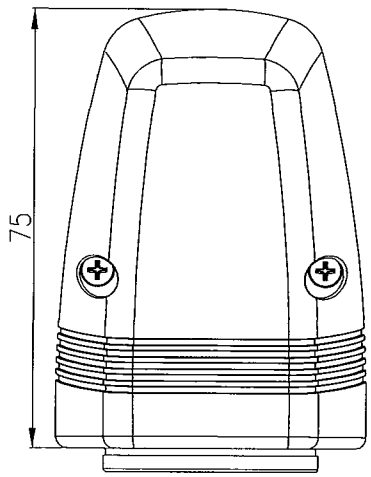


Rating	Input:12V-24V DC 4 LED display. Reverse polarity protection Surge protection up to 400W/35V
Insulation Resistance	DC 500V 100MΩ Min.
Operating Temperature	-20℃~50℃

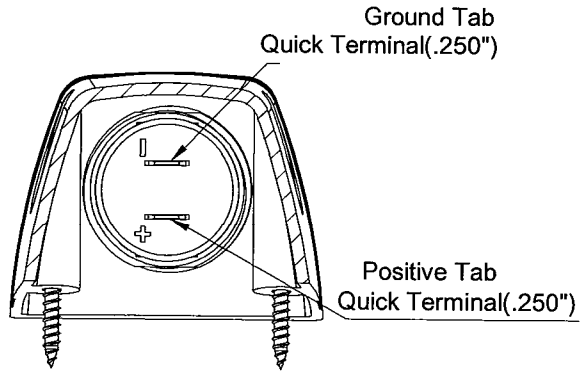


LED Display	Voltage		12V	24V
	40% ON	R	11.3V~11.8V	22.6V~23.6V
60% ON	A	11.8V~12.3V	23.6V~24.6V	
80% ON	Y	12.3V~12.7V	24.6V~25.4V	
100% ON	G	12.7V~15.8V	25.4V~32.0V	

Screw in Bulk
Ø3*16L



原稿
2017.9.01
研發部



剖面圖 A-A

Tolerances ±0.3 Unless Otherwise Specified

EB019

Drawn	Checked	Approved	SCI BOM No.	1570013	Model Name	DC Voltmeter
Rock Hsu			Customer No.		Model No.	A25-4HS-BB3
Date	Name	Description	No.	08/30/17	Unit	mm
						Shin Chin Industrial Co., Ltd.
						Rev. 0