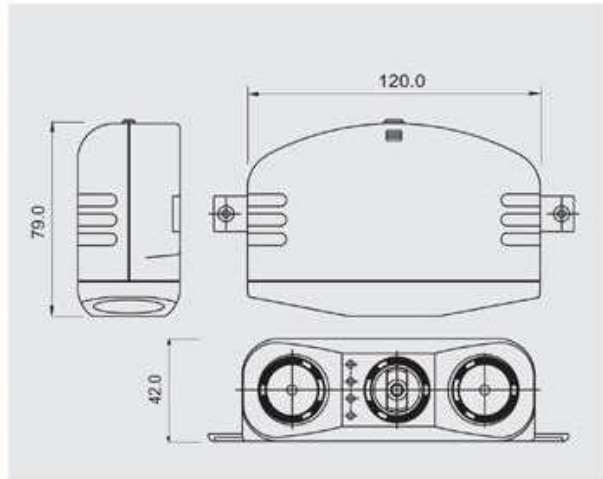


A13-75A28A1-A3Z TRIPLE OUTLET SOCKET WITH PLUG



FEATURES

- * RATING : 10A 12V DC
- * MATERIAL OF SOCKET
 - Housing : ABS (UL flame: 94-HB 105°C).
 - Inner contact : nickel plated brass.
 - Contact : nickel plated metal.
- * Triple lighter socket with 100cm wire and lighter plug.
- * Wire SPT-1 18AWG 105°C
- * Green light ring, easy to insert in the dark.
- * With 10A glass tube fuse max.

BATTERY CHECKER SITUATION				TURN OFF ENGINE OFF FOR MINUTES	START ENGINE FOR FEW MINUTES
LOW	12V	MID	HIGH	FOR BATTERY CAPACITY CHECK	FOR CHARGING SYSTEM CHECK
●	●	●	●	Very good	Very good
●	●	○	○	Normal	Normal
●	○	○	○	Weak	Charging system is possibly abnormal
●	○	○	○	Too much discharge (The battery needs to be charged)	Charging system is possibly abnormal
○	○	○	○	No capacity (Voltage is under 3V, replace battery.)	Check your charging system

NOTE: THE ABOVE READINGS WOULD BE AFFECTED BY THE TEMPERATURE AND CAR USED CONDITION.

A13-75B-281-A3Z

PLUG & SOCKET CODE	FEATURES	WIRE WITH CONNECTER
75A28A1 	<ul style="list-style-type: none"> * Triple lighter socket with 100cm wire and lighter plug. * Green light ring, easy to insert in the dark. * With 10A glass tube fuse max. 	A3Z * Wire SPT-1 18 AWG 105°C
75A28B1 	<ul style="list-style-type: none"> * Triple lighter socket with 100cm wire and lighter plug. * Socket with LED battery checker. * Green light ring, easy to insert in the dark. * With 10A glass tube fuse max. 	A3Z * Wire SPT-1 18 AWG 105°C
75B28C1 	<ul style="list-style-type: none"> * Twin lighter socket and one cigarette lighter socket with 100cm wire and lighter plug. * Socket with LED battery checker. * Green light ring, easy to insert in the dark. * With 10A glass tube fuse max. 	A3Z * Wire SPT-1 18 AWG 105°C