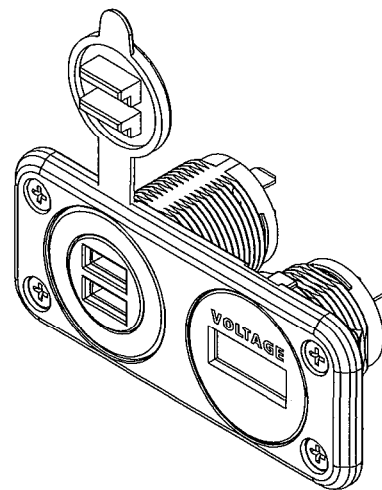
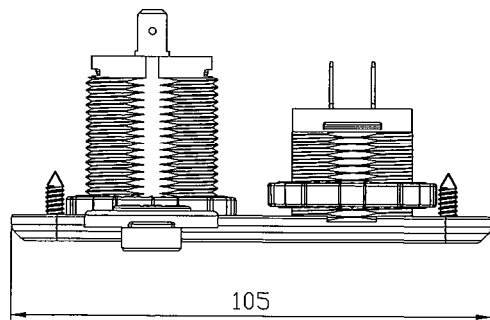
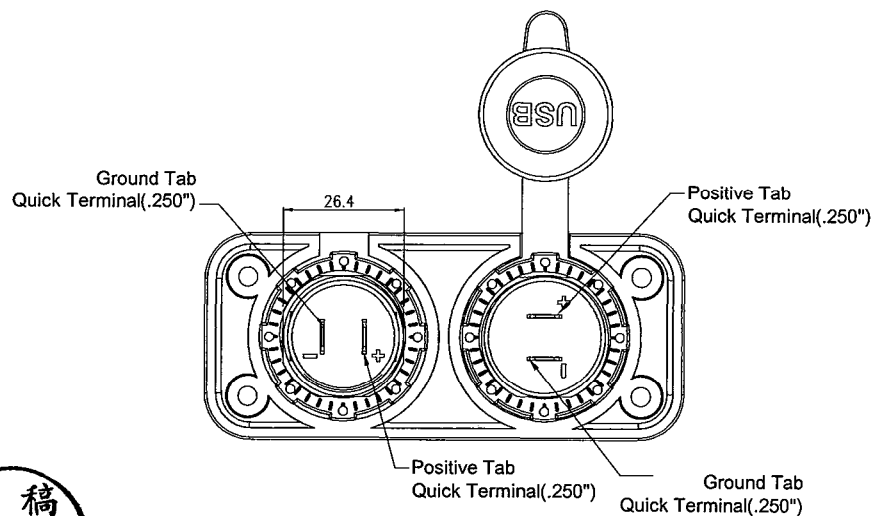
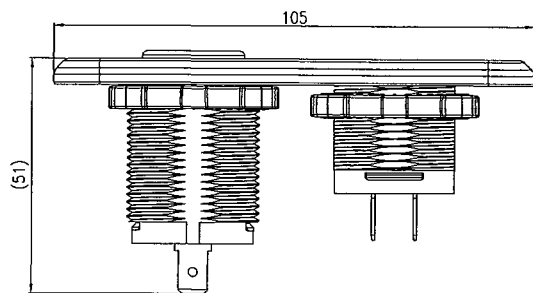
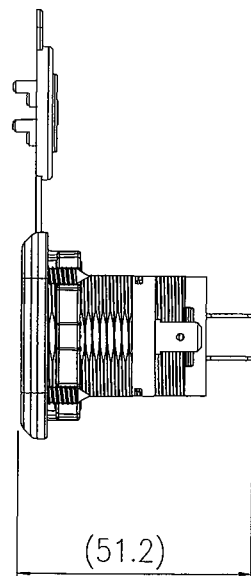
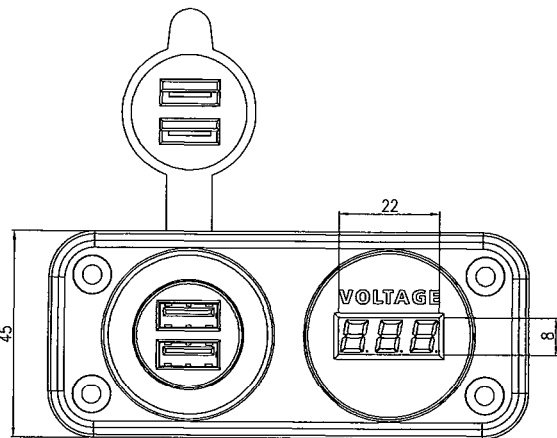


Screw in Bulk  
 Ø4XL14



Rating	Input:12V/24 DC Output:USB Socket - 5V 2.1A max. Auto Sockets - 20A max. Input:6V~33V DC Voltage Tolerance: +/- 1% (0.1V @ 12V, 0.2V @ 24V) Green LED display. Reverse polarity protection Surge protection up to 400W/35V
Insulation Resistance	DC 500V 100MΩ Min.
Dielectric Strength	AC 1500V 1 minute
Operating Temperature	-0℃~60℃



原稿  
 2019.3.19  
 研發部

1.Tolerances ±0.3 Unless Otherwise Specified

Drawn	Checked	Approved	SCI BOM No.	125838	Model Name	Double socket	
方婷鳳	許永福	李永明	Customer No.		Model No.	A13-194BA251PD-BB3	Rev.
Date	03/07/19	3/11/19	Unit	mm	Shin Chin Industrial Co., Ltd.		0