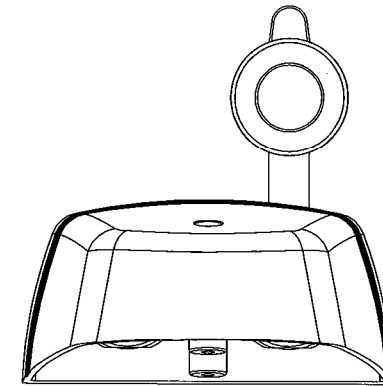
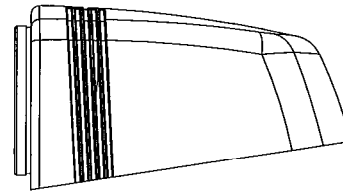
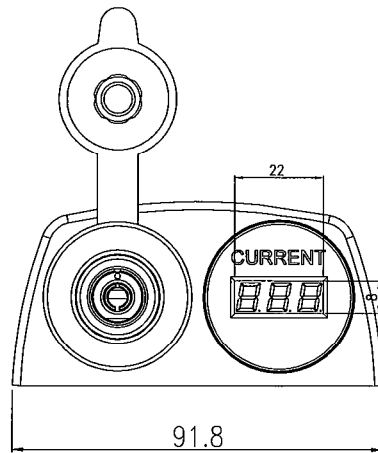
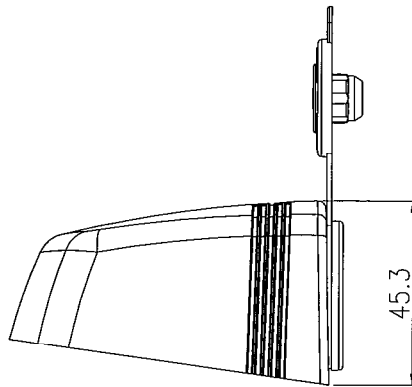
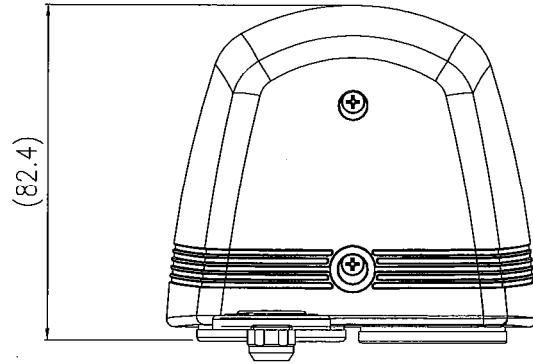


Screw in Bulk
 Ø 3*16



Rating	12V/24 DC 20A MAX
	Operating voltage:7V~33V DC Measuring Current range:0~20.0A Current Tolerance: 5% 1A:±0.1A, 10A:±0.5A,20A:±1.0A Red LED display. Reverse polarity protection.Surge protection up to 400W/35V
Insulation Resistance	DC 500V 100MΩ Min.
Dielectric Strength	AC 1500V 1 minute
Operating Temperature	-0℃~60℃



1.A13-144:With vertical 6.3mm snap-in terminals.
 2.Tolerances ±0.3 Unless Otherwise Specified

			△	Drawn	Checked	Approved	SCI BOM No.	1251035	Model Name	Double socket
			△	方婷鳳	邱淑敏	蔡明	Customer No.		Model No.	A13-144DA251BHD-BB3
Date	Name	Description	No.	03/07/19	3/11/19	3/11/19	Unit	mm	Shin Chin Industrial Co., Ltd.	Rev. 0