

TECHNICAL SHEET

MODEL NUMBER:

A00034-05



AM/FM/DAB Antenna Specification

1. General Description

1.1	Application	Antennas
1.2	Operating Temperature	-40 °C ~ +80 °C
1.3	Storage Temperature	-40 °C ~ +80 °C
1.4	Humidity	0% ~ 95% RH under the storage and operating range

2. Appearance – Construction - Dimensions

2.1	Dimensions	Refer to the drawing at section 6
2.2	Color	Black, refer to the physical sample

3. Electrical Specifications

3.1	Frequency range	AM: 525-1700KHz FM: 88-108MHz DAB: - 174-240MHz (Band-III) - 1452-1492MHz (DAB-L)
3.2	V.S.W.R.	< 4:1
3.3	Impedance	50 Ω
3.4	Gain	AM/FM: 15 ± 3 dBi Band-III: 15 ± 3 dBi DAB-L: 12 ± 3 dBi
3.5	Connector	SMB, DIN
3.7	Supply Voltage	5-12 VDC

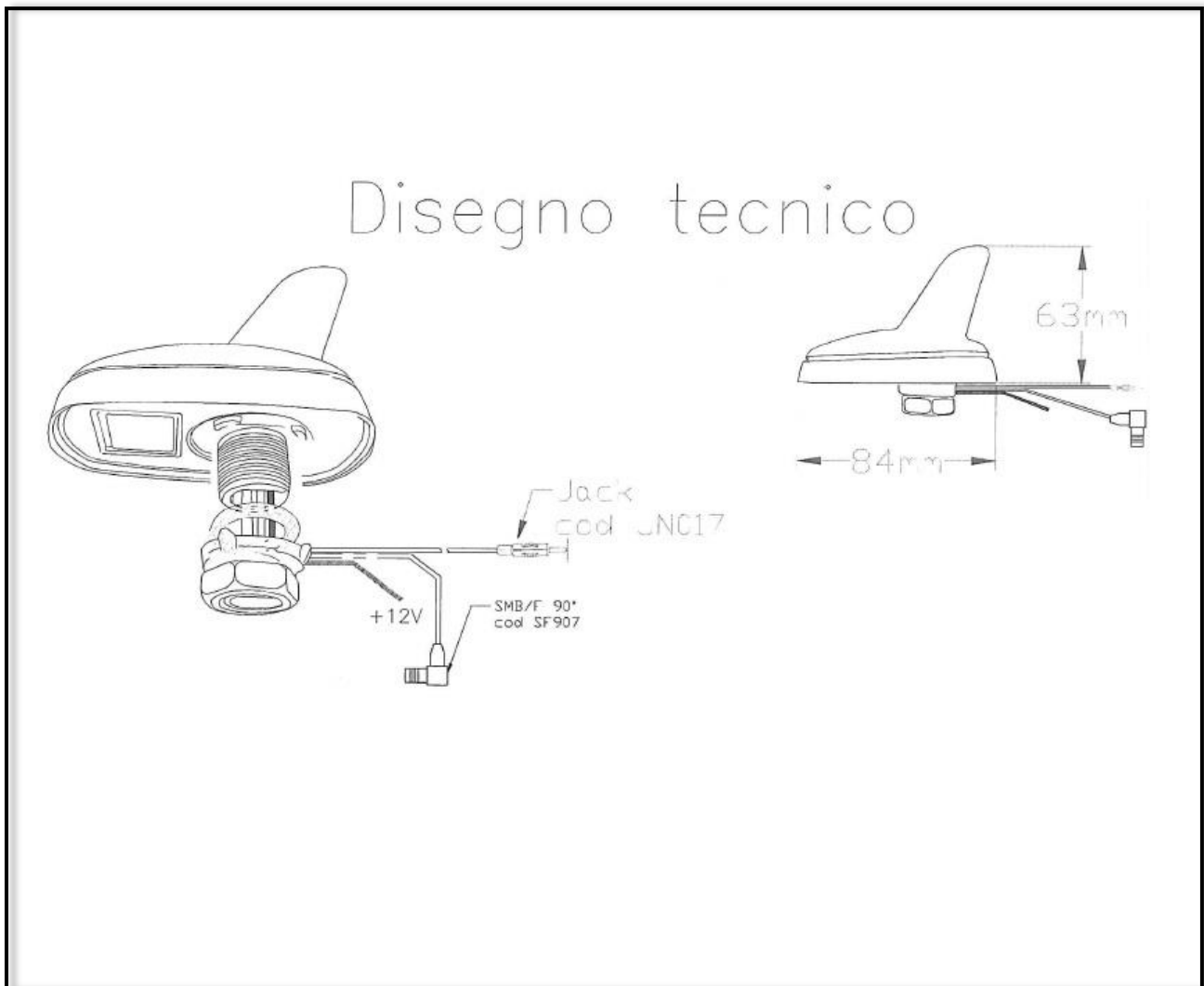
4. Materials Regulations

Product materials are compliant to ROHS.

5. Package

1 pc antenna into a PE bag.

6. Drawing



Revision History

- 0- 26/07/2019 First Release
- 1- 24/10/2019 Photo updated