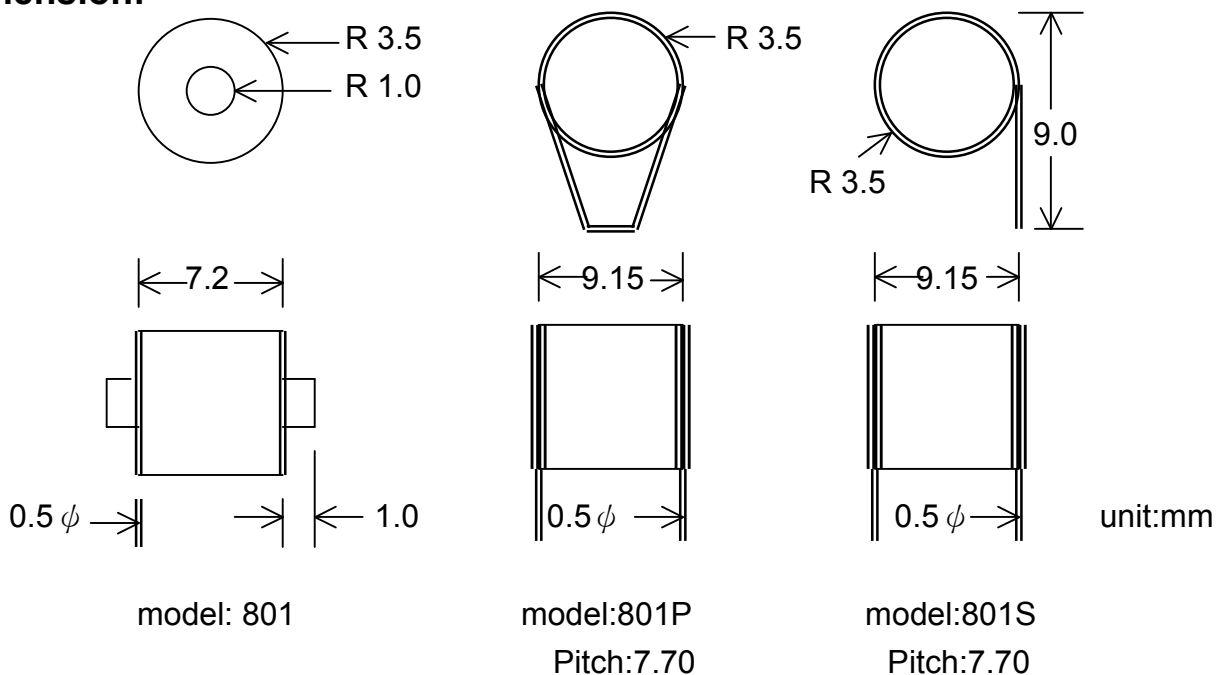


## Shock sensor 801S, 801P, 801 specification

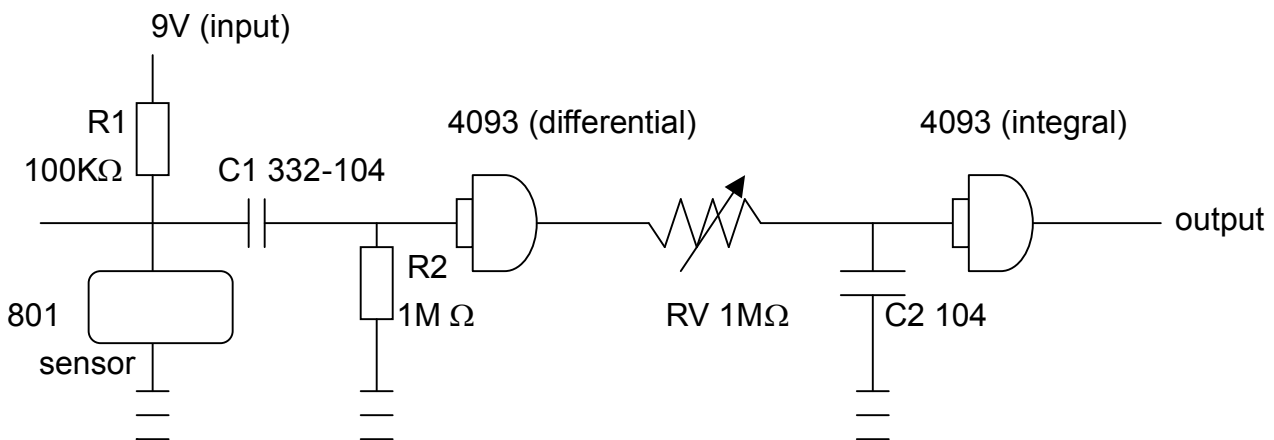
**- Features:**

- Micro Shock detecting.
- Non direction limited.
- 60,000,000 times shock guarantee (special gold alloy plated)
- Low cost circuit can adjust Sensitivity.

**- Dimension:**



**- Reference circuit:**



**Attention:**

1. Output must become **square wave**. (Can not use as shock switch!)
2. Take low or high of output square wave into your alarm system and adjust sensitivity from the delay time length.