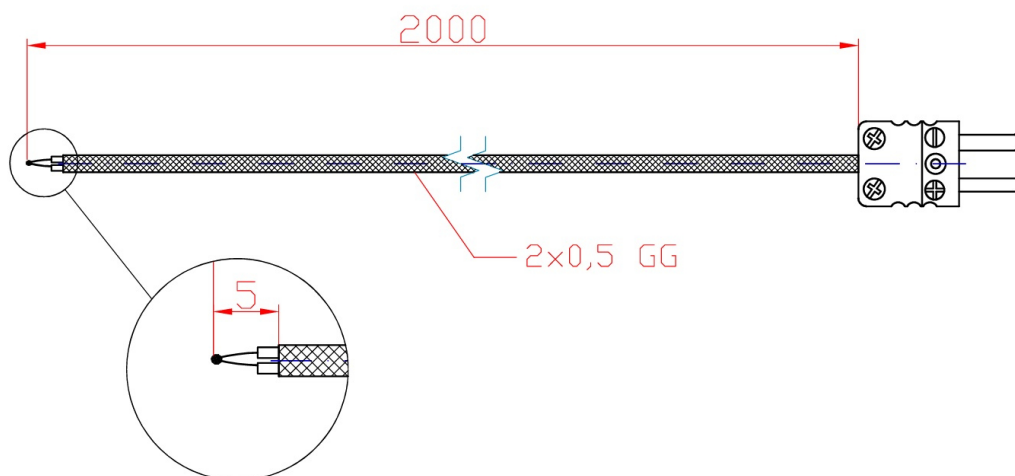


Thermocouple with exposed welded junction

7X-KFT Series

Thermocouple made of thermocouple wire insulated with fiberglass.

Description	
Type	7J-36110002-0200.G005
Article number	23068994



technical parameters

Thermocouple	1x NiCr-Ni / K
Hot junction	exposed
Measuring range	0...+400°C
Accuracy	Class 1 acc. IEC 60584
Cable length	2000 mm
Cross-section	0,5 mm (solid wire)
Wire insulation:	fiberglass
Plug type	mini type K (max 200°C)

Mounting accessories, screw fittings, flanges, mounting covers plugs and sockets are included in other catalog cards and on the website.