

Line laser, red, 650 nm, 90 °, 16 mW

LH650-16(16x90)-NT-MOUNT
Order Number: 70116991

Main Parameters (*)	min	typ	max	Unit
Wavelength		650		nm
Optical Output Power		16		mW
Operating Voltage	2.7	3	3.3	V DC
Operating Current		70		mA
Operating Temperature	-20		50	°C
Storage Temperature	-40		80	°C

Main Data

Warranty 1 years

Technical Parameters

Lifetime > 5,000 h
RoHS yes

Optical Parameters

Beam Shape	Line
Laser Class	2
Divergence	H - 1.0 mrad
Fan Angle	90 °
Line Thickness	<1mm@3m
Operating Distance	5 m
Optics	glass lens AR coated
Laser technology	diode
Focus	fixed (3000mm)

Electrical Parameters

Potential of Housing	VDD(+)
Connector	2.5 mm DC plug (GND pole inner)
Power Supply	LFNT-3

Mechanical Parameters

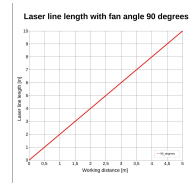
Size	Ø16x90 mm
Material	aluminium
Cable length	1,400 mm
Output Aperture	5.5 mm
Weight	161 g

(*) Over the complete operating temperature range

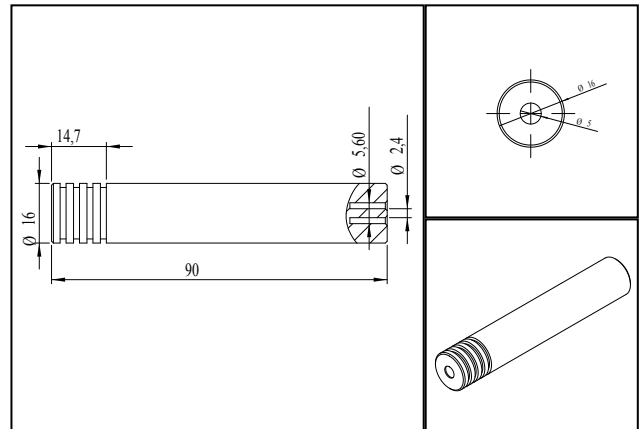
Features



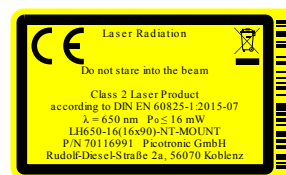
Picture



Drawing



Safety Label



Valid Revision

1 | 23-FEB-2022