

Line laser, green, 532 nm, 90 °, 10 mW

LD532-10-24(20x80)-C500
Order Number: 70113730

Main Parameters (*)	min	typ	max	Unit
Wavelength		532		nm
Optical Output Power		10		mW
Operating Voltage	20	24	26.4	V DC
Operating Current	30	54	100	mA
Operating Temperature	15		30	°C
Storage Temperature	-40		80	°C

Main Data

Warranty 1 years

Technical Parameters

Lifetime > 10,000 h
RoHS yes

Optical Parameters

Beam Shape	Line
Laser Class	1
Divergence	D - 0.5 mrad
Fan Angle	90 °
Line Thickness	<1mm@1.5m
Operating Distance	1.5 m
Optics	glass lens AR coated
Beam Mode	TEM00
Laser technology	Solid State (YVO4+KTP)
Stability	+/- 20% @ 15-30°C
Protection Lens	yes
Focus	fixed (1500mm)
Warm up time	< 15 min

Electrical Parameters

Potential of Housing isolated
Stripping of cable cover 50 mm

Mechanical Parameters

Size	Ø20x80 mm
Material	aluminium
Cable length	500 mm
Wire type	22AWG, black, 3,6mm
Output Aperture	6 mm
Housing Color	black
Weight	68 g
Stripping of wire	5 mm

(*) Over the complete operating temperature range

Features



- Operating Voltage 24 V DC
- Isolated housing
- Laser Class 1
- Compact size
- Protection lens

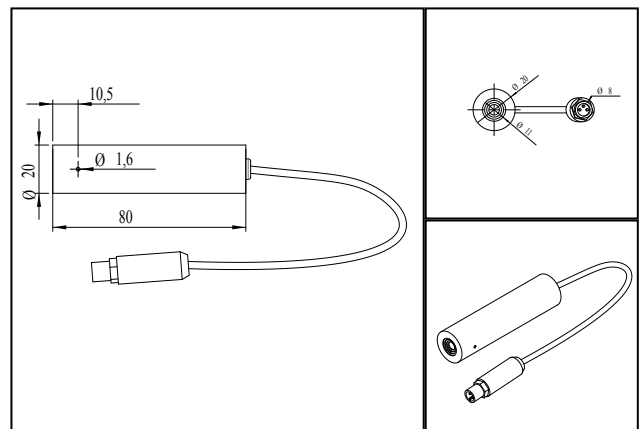
Picture



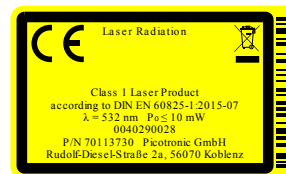
Cable color

Ground		black	GND
Positive		white	20 - 26.4, typ 24 V DC

Drawing



Safety Label



Valid Revision

1 | 30-AUG-2022