

Line laser, green, 532 nm, 90 °, 50 mW

LD532-50-230(40x210)
Order Number: 70112764

Main Parameters (*)	min	typ	max	Unit
Wavelength		532		nm
Optical Output Power		50		mW
Operating Voltage	207	230	253	V AC
Operating Current	5	10	15	mA
Operating Temperature	15		30	°C
Storage Temperature	-40		80	°C

Main Data

Warranty 1 years

Technical Parameters

Lifetime > 10,000 h
RoHS yes

Optical Parameters

Beam Shape	Line
Laser Class	2M
Divergence	D - 0.5 mrad
Fan Angle	90 °
Line Thickness	<3mm@7m
Operating Distance	30 m
Optics	glass lens AR coated
Beam Mode	TEM00
Laser technology	YVO4+KTP
Stability	+/- 20% @ 15-30°C
Focus	fixed (7.0m)
Warm up time	< 15 min

Electrical Parameters

Potential of Housing isolated
Connector AC CEE 7/7

Mechanical Parameters

Size	Ø40x210 mm
Material	aluminium
Cable length	1,750 mm
Wire type	H05VV-F
Output Aperture	8 mm
Weight	920 g

(*) Over the complete operating temperature range

Features



- Operating Voltage 230 V AC
- Glas lenses anti reflex coated
- Laser Class 2M
- High power
- Uniform line thickness

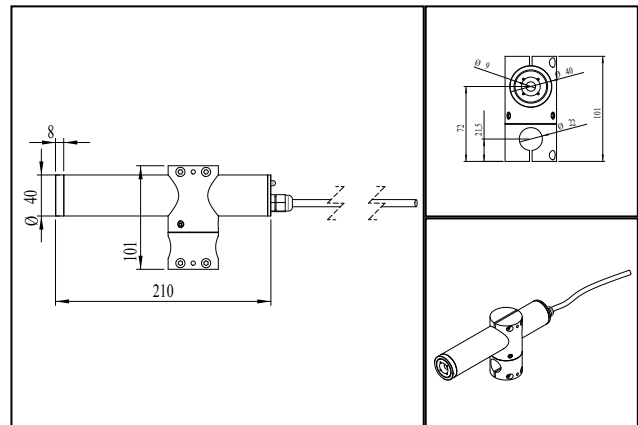
Picture



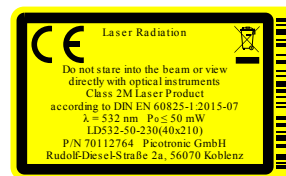
Montageplatte optional
Base Plate not included



Drawing



Safety Label



Valid Revision

7 | 08-SEP-2022