

Dot laser, red, 650 nm, 0.4 mW

LFD650-0.4-4.5(15x67)
Order Number: 70112573

Main Parameters (*)	min	typ	max	Unit
Wavelength		650		nm
Optical Diode Power		0.4		mW
Operating Voltage	3		4.5	V DC
Operating Current	10	15	25	mA
Operating Temperature	-20		40	°C
Storage Temperature	-40		80	°C

Main Data

Warranty 1 years

Technical Parameters

Lifetime > 3,000 h
RoHS yes

Optical Parameters

Beam Shape	Dot
Laser Class	1
Divergence	H - 1.0 mrad
Beam Diameter	3 mm
Size of Laserdot	<4..6mm@5m
Operating Distance	5 m
Optics	acryl lense
Laser technology	diode
Focus	fixed (5.0m)

Electrical Parameters

Potential of Housing VDD(+)

Mechanical Parameters

Size	Ø15x67 mm
Material	aluminium
Output Aperture	3 mm
Housing Color	black
Weight	27 g

(*) Over the complete operating temperature range

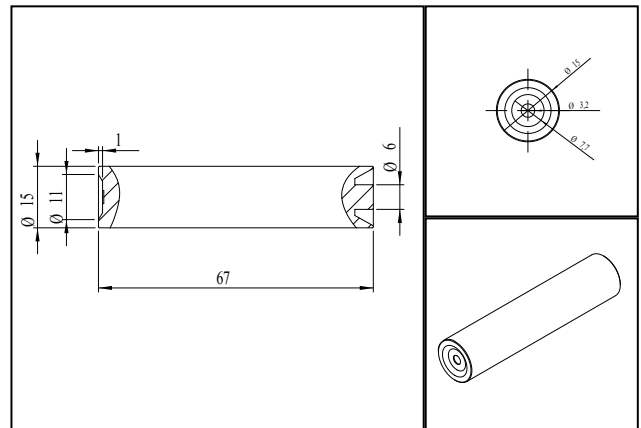
Features

- Operating Voltage
- Laser Class 1
- Compact size
- Low cost
- Fixed focus

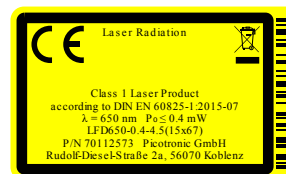
Picture



Drawing



Safety Label



Valid Revision

24 | 04-JUL-2023