

Line laser, red, 650 nm, 30 °, 4 mW

LI650-4-3(8x26)30DEG-F100
Order Number: 70110524

Main Parameters (*)	min	typ	max	Unit
Wavelength		650		nm
Optical Output Power		4		mW
Operating Voltage	2.7	3	3.3	V DC
Operating Current	15	32	50	mA
Operating Temperature	-20		50	°C
Storage Temperature	-40		80	°C

Main Data

Warranty 1 years

Technical Parameters

Lifetime > 10,000 h
RoHS yes

Optical Parameters

Beam Shape Line
Laser Class 1
Divergence 1 - 1.5 mrad
Fan Angle 30 °
Line Thickness <0.3mm@0.1m
Operating Distance 0.1 m
Optics glass lens AR coated
Laser technology Single Mode Diode
Focus fixed (100mm)

Electrical Parameters

Potential of Housing isolated
Power Supply LFNT-3

Mechanical Parameters

Size Ø8x26 mm
Material aluminium
Cable length 100 mm
Wire type 26AWG, 0,14mm²
Output Aperture 3 mm
Housing Color black
Weight 3.5 g
Stripping of wire 5 mm

(*) Over the complete operating temperature range

Features



- Fixed focus
- Low power consumption
- For medical devices
- Uniform line thickness
- Image processing

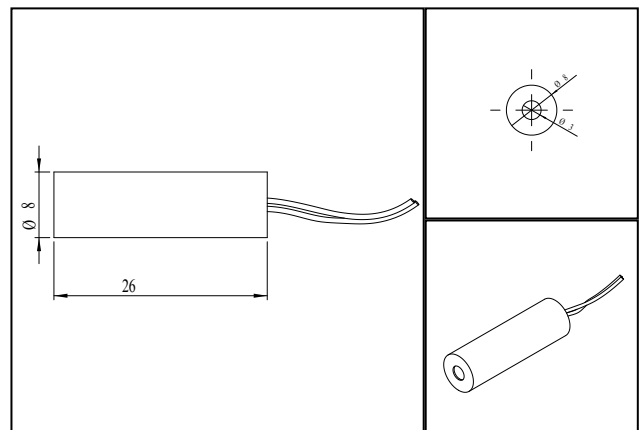
Picture



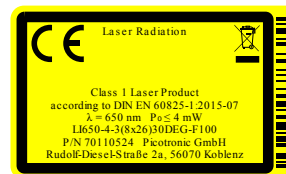
Cable color

Ground		green	GND
Positive		red	2.7 - 3.3, typ 3 V DC

Drawing



Safety Label



Valid Revision

13 | 22-APR-2021