

Line laser, red, 650 nm, 90 °, 5 mW

LFL650-5-4.5(15x67)90-F250
Order Number: 70107425

Main Parameters (*)	min	typ	max	Unit
Wavelength		650		nm
Optical Diode Power		5		mW
Operating Voltage	2.8	3	4.5	V DC
Operating Current	10	20	30	mA
Operating Temperature	-20		40	°C
Storage Temperature	-40		80	°C

Main Data

Warranty 1 years

Technical Parameters

Lifetime > 3,000 h
RoHS yes

Optical Parameters

Beam Shape Line
Laser Class 1
Divergence H - 1.0 mrad
Fan Angle 90 °
Line Thickness <1mm@0.25m
Operating Distance 0.25 m
Optics acryl lense
Laser technology diode
Focus fixed (250mm)

Electrical Parameters

Potential of Housing VDD(+)

Mechanical Parameters

Size Ø15x67 mm
Material aluminium
Output Aperture 6 mm
Housing Color black
Weight 25 g

(*) Over the complete operating temperature range

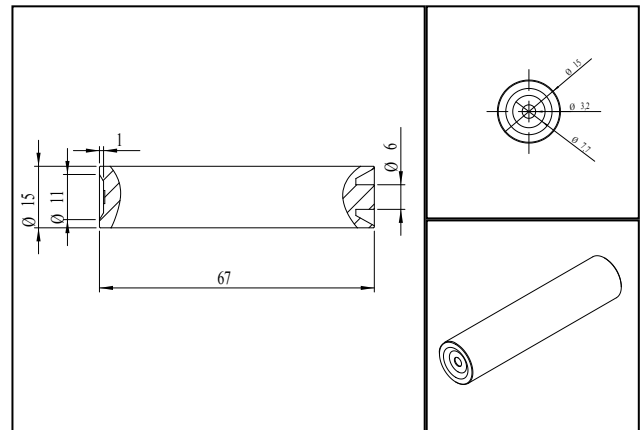
Features

- Battery Linelaser
- Easy to handle
- Useful push switch
- Uniform Laserline

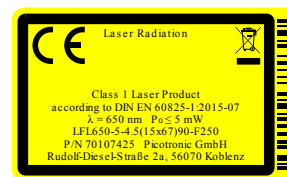
Picture



Drawing



Safety Label



Valid Revision

8 | 06-SEP-2023