

Line laser, red, 650 nm, 60 °, 5 mW

LFL650-5-4.5(15x67)60
Order Number: 70105032

Main Parameters (*)	min	typ	max	Unit
Wavelength		650		nm
Optical Diode Power		5		mW
Operating Voltage	3	4.5	4.5	V DC
Operating Current		20		mA
Operating Temperature	-20		40	°C
Storage Temperature	-40		80	°C

Main Data

Warranty 1 years

Technical Parameters

Lifetime > 3,000 h
RoHS yes

Optical Parameters

Beam Shape Line
Laser Class 1
Divergence H - 1.0 mrad
Fan Angle 60 °
Line Thickness <1.2mm@1m
Operating Distance 1 m
Optics acryl lense
Laser technology diode
Focus fixed (1000mm)

Electrical Parameters

Potential of Housing VDD(+)

Mechanical Parameters

Size Ø15x67 mm
Material aluminium
Output Aperture 6 mm
Weight 25 g

(*) Over the complete operating temperature range

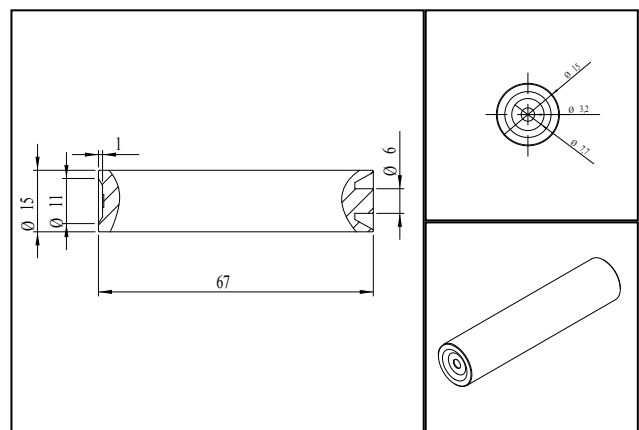
Features

- Laser Class 1
- With battery
- Compact size
- Low cost
- Uniform line thickness

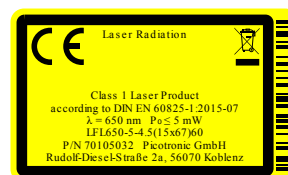
Picture



Drawing



Safety Label



Valid Revision

1 | 07-JUL-2022