

Dot laser, red, 650 nm, 0.4 mW

DI650-0.4-3(8x21)
Order Number: 70104264



- Operating Voltage 3 V DC
- Laser Class 1
- Fixed focus
- For medical devices
- Compact size

Main Parameters (*)	min	typ	max	Unit
Wavelength		650		nm
Optical Output Power		0.4		mW
Operating Voltage	2.7	3	3.3	V DC
Operating Current	10	20	30	mA
Operating Temperature	-20		50	°C
Storage Temperature	-40		80	°C

Main Data

Warranty 1 years

Technical Parameters

Lifetime > 10,000 h
RoHS yes

Optical Parameters

Beam Shape Dot
Laser Class 1
Divergence 1 - 1.5 mrad
Beam Diameter 2 mm
Size of Laserdot <3.5mm@5m
Operating Distance 5 m
Optics glass lens AR coated
Laser technology diode
Focus fixed (5.0m)

Electrical Parameters

Potential of Housing isolated
Power Supply LFNT-3

Mechanical Parameters

Size Ø8x21 mm
Material aluminium
Cable length 100 mm
Output Aperture 2 mm
Housing Color black
Weight 3 g

(*) Over the complete operating temperature range

Features

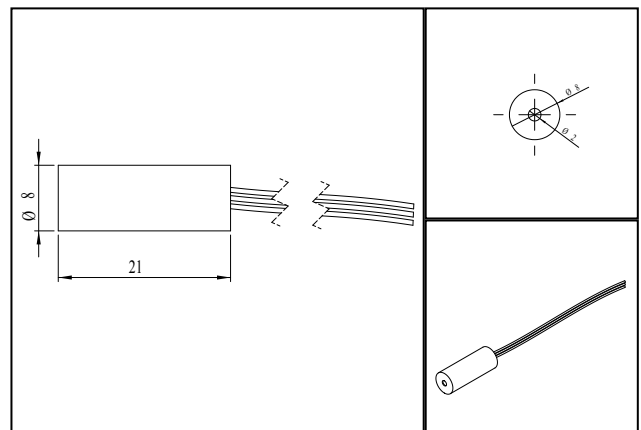
Picture



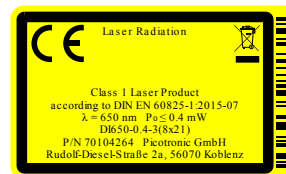
Cable color

Ground		blue	GND
Positive		red	2.7 - 3.3, typ 3 V DC

Drawing



Safety Label



Valid Revision

3 | 10-DEC-2021