

Dot laser, red, 650 nm, 1 mW

DC650-1-3(8x25)
Order Number: 70100068

Main Parameters (*)	min	typ	max	Unit
Wavelength		650		nm
Optical Output Power		1		mW
Operating Voltage	2.7	3	3.3	V DC
Operating Current	8	19	30	mA
Operating Temperature	-20		50	°C
Storage Temperature	-40		80	°C

Main Data

Warranty 1 years

Technical Parameters

Lifetime > 5,000 h
RoHS yes

Optical Parameters

Beam Shape Dot
Laser Class 2
Divergence C - 0.4 mrad
Size of Laserdot <1mm@1m
Operating Distance 10 m
Optics glass lens AR coated
Laser technology Single Mode Diode
Focus adjustable

Electrical Parameters

Potential of Housing isolated
Power Supply LFNT-3

Mechanical Parameters

Size Ø8x25 mm
Material aluminium
Cable length 100 mm
Wire type 26AWG, 0,14mm²
Output Aperture 3.5 mm
Housing Color black
Weight 3.5 g
Stripping of wire 5 mm

(*) Over the complete operating temperature range

Features



- Operating Voltage 3 V DC
- Laser Class 2
- Low power consumption
- Compact size
- Adjustable focus

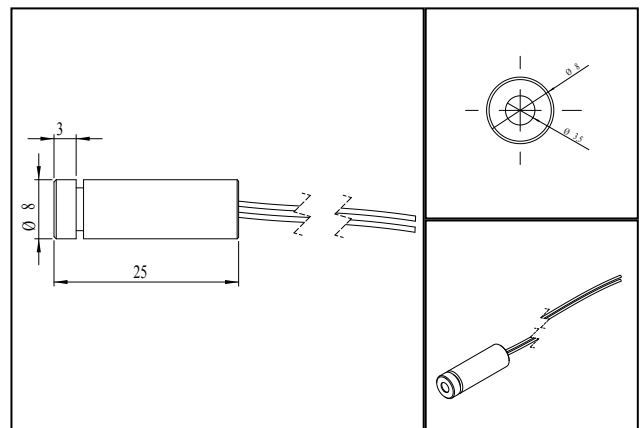
Picture



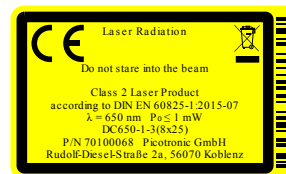
Cable color

Ground		blue	GND
Positive		red	2.7 - 3.3, typ 3 V DC

Drawing



Safety Label



Valid Revision

14 | 21-APR-2021