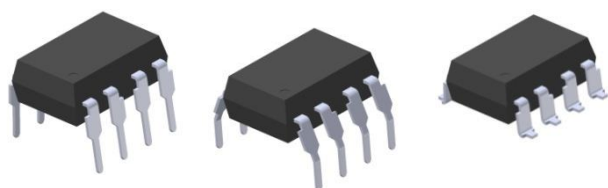


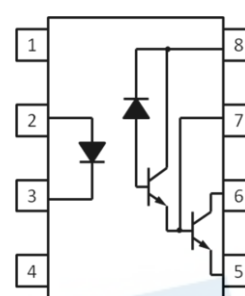
8 PIN DIP LOW INPUT CURRENT HIGH GAIN SPLIT DARLINGTON PHOTOCOUPLER 6N138 6N139



Features

- High current transfer ratio—2000% typical
- High isolation voltage between input and output (Viso=5000 Vrms)
- Guaranteed performance from 0°C to 70°C
- Pb free and RoHS compliant.
- UL and cUL approved(No. E214129)
- VDE approved (No. 132249)
- SEMKO approved
- NEMKO approved
- DEMKO approved
- FIMKO approved

Schematic



Pin Configuration

1. No Connection
2. Anode
3. Cathode
4. No Connection
5. Gnd
6. V_{out}
7. V_B
8. V_{CC}

Description

The 6N138 and 6N139 devices each consists of an infrared emitting diode, optically coupled to a high gain split Darlington photo detector. They provide extremely high current transfer ratio between input and output, with access to a base terminal to adjust the gain bandwidth. These devices are packaged in an 8-pin DIP package and available in wide-lead spacing and SMD options.

Applications

- Digital logic ground isolation
- RS-232C line receiver
- Low input current line receiver
- Microprocessor bus isolation
- Current loop receiver

Absolute Maximum Ratings (Ta=25°C)

	Parameter	Symbol	Rating	Unit
Input	Forward current	I_F	20	mA
	Peak forward current (50% duty, 1ms P.W)	I_{FP}	40	mA
	Peak transient Current ($\leq 1\mu s$ P.W,300pps)	I_{Ftrans}	1	A
	Reverse voltage	V_R	5	V
	Power dissipation	P_{IN}	45	mW
Output	Power dissipation	P_O	100	mW
	Output current	I_o	60	mA
	Emitter-Base Reverse Voltage	V_{ER}	0.5	V
	Output voltage	V_O	-0.5 to 7 -0.5 to 18	V
	Supply voltage	V_{CC}	-0.5 to 7 -0.5 to 18	V
	Isolation voltage *1	V_{ISO}	5000	V rms
Operating temperature	T_{OPR}	-40 ~ +85	°C	
Storage Temperature	T_{STG}	-55 ~ +125	°C	
Soldering temperature *2	T_{SOL}	260	°C	

Notes:

*1 AC for 1 minute, R.H.= 40 ~ 60% R.H. In this test, pins 1, 2, 3, 4 are shorted together, and pins 5, 6, 7, 8 are shorted together.

*2 For 10 seconds

Electrical Characteristics (T_A=0 to 70°C unless specified otherwise)

Input

Parameter	Symbol	Min.	Typ.	Max.	Unit	Condition
Forward voltage	V _F	-	1.3	1.7	V	I _F = 1.6mA
Reverse Voltage	V _R	5.0	-	-	V	I _R = 10μA, T _A =25°C
Temperature coefficient of forward voltage	ΔV _F /ΔT _A	-	-1.8	-	mV/°C	I _F =1.6mA

Output

Parameter	Symbol	Min	Typ.	Max.	Unit	Condition
Logic High Output Current	I _{OH}	-	0.01	100	μA	I _F =0mA, V _O =V _{CC} =18V
Logic Low Supply Current	I _{CCL}	-	0.6	1.5	mA	I _F =1.6mA, V _O =Open, V _{CC} =18V
Logic High Supply Current	I _{CCH}	-	0.05	10	μA	I _F =0mA, V _O =Open, V _{CC} =18V

Transfer Characteristics (T_a=0 to 70°C unless specified otherwise, V_{CC}=4.5V)

Parameter	Symbol	Min	Typ.	Max.	Unit	Condition
Current Transfer Ratio	CTR	400	2500	-	%	I _F = 0.5mA, V _O = 0.4V, V _{CC} =4.5V
		500	2000	-		I _F = 1.6mA, V _O = 0.4V, V _{CC} =4.5V
		300	2000	-		V _{CC} =4.5V
Logic Low Output Voltage	V _{OL}	-	0.05	0.4	V	I _F = 0.5mA, I _O = 2mA, V _{CC} =4.5V
		-	0.09	0.4		I _F = 1.6mA, I _O = 8mA, V _{CC} =4.5V
		-	0.12	0.4		I _F = 5mA, I _O = 15mA, V _{CC} =4.5V
		-	0.17	0.4		I _F = 12mA, I _O = 24mA, V _{CC} =4.5V
		-	0.06	0.4		I _F = 1.6mA, I _O = 4.8mA, V _{CC} =4.5V

Switching Characteristics (T_a=0 to 70°C unless specified otherwise, V_{cc}=5V)

Parameter	Symbol	Min	Typ.	Max.	Unit	Condition	
Propagation Delay Time to Logic Low (Fig. 13)	6N139	T _{PHL}	-	5	25	μs	I _F = 0.5mA , R _L =4.7kΩ, T _A =25°C
			-	-	30		I _F = 0.5mA , R _L =4.7kΩ
			-	0.2	1		I _F = 12mA , R _L =270Ω, T _A =25°C
			-	-	2		I _F = 12mA , R _L =270Ω
			-	1.4	10		I _F = 1.6mA , R _L =2.2kΩ, T _A =25°C
			-	-	15		I _F = 1.6mA , R _L =2.2kΩ
Propagation Delay Time to Logic High (Fig. 13)	6N139	T _{PLH}	-	16	60	μs	I _F = 0.5mA , R _L =4.7kΩ, T _A =25°C
			-	-	90		I _F = 0.5mA , R _L =4.7kΩ
			-	1.7	7		I _F = 12mA , R _L =270Ω, T _A =25°C
			-	-	10		I _F = 12mA , R _L =270Ω
			-	8	35		I _F = 1.6mA , R _L =2.2kΩ, T _A =25°C
			-	-	50		I _F = 1.6mA , R _L =2.2kΩ
Common Mode Transient Immunity at Logic High (Fig. 14) * ³	CM _H	1,000	-	-	V/μs	I _F = 0mA , V _{CM} =10Vp-p, R _L =2.2KΩ, T _A =25°C	
Common Mode Transient Immunity at Logic Low (Fig. 14) * ³	CM _L	1,000	-	-	V/μs	I _F = 1.6mA , V _{CM} =10Vp-p, R _L =2.2KΩ, T _A =25°C	

* Typical values at T_a = 25°C

Typical Electro-Optical Characteristics Curves

Fig.1 LED Forward Current vs. Forward Voltage

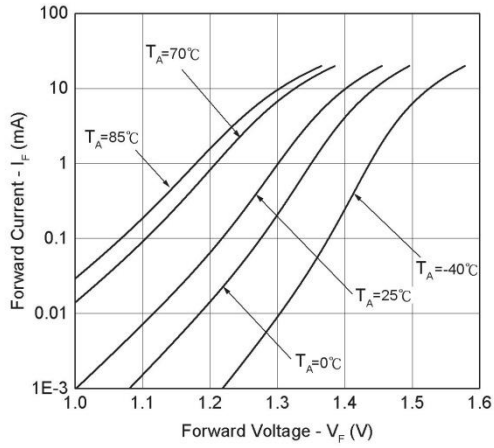


Fig.2 LED Forward Voltage vs. Temperature

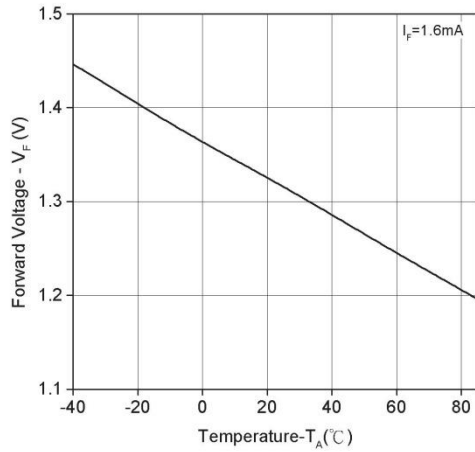


Fig.3 Output Current vs. Output Voltage

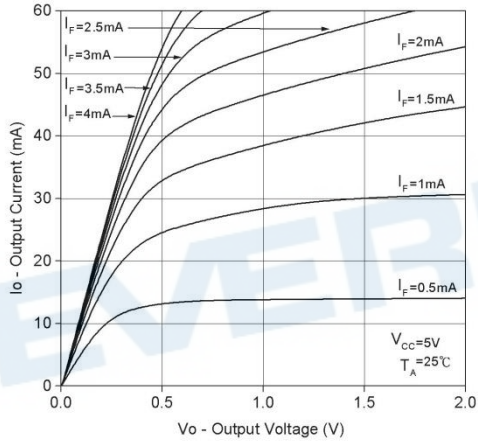


Fig.4 Output Current vs. Input Diode Forward Current

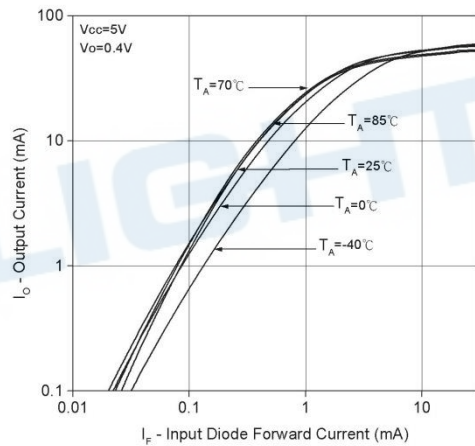


Fig.5 Current Transfer Ratio vs. Forward Current

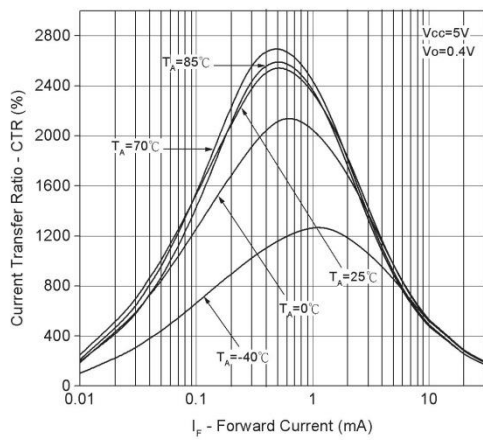


Fig.6 Current Transfer Ratio vs. Base-Emitter Resistance

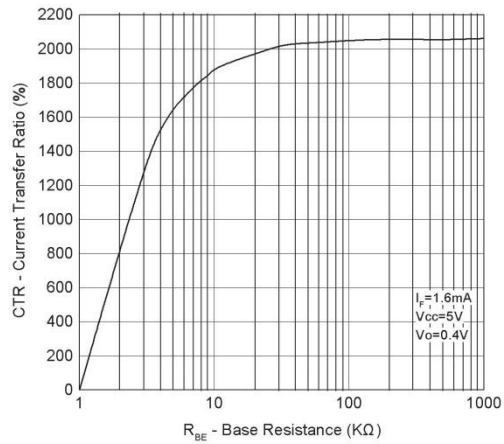


Fig.7 Non-saturated Rise and Fall Times vs. Load Resistance

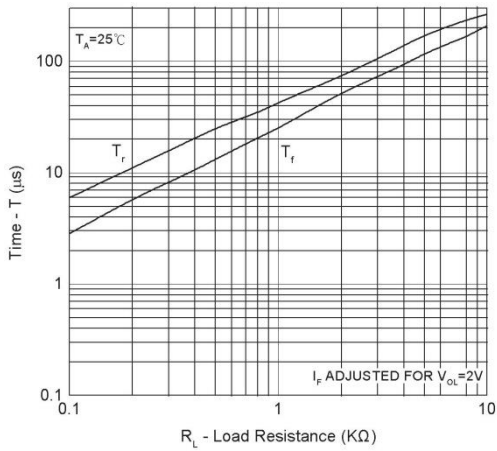


Fig.8 Propagation Delay To Logic Low vs. Base-Emitter Resistance

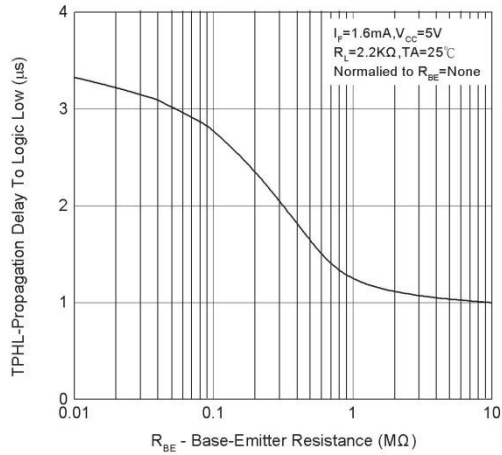


Fig.9 Propagation Delay vs. Input Diode Forward Current

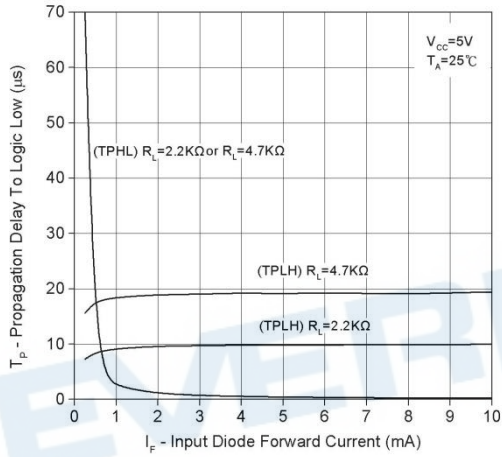


Fig.10 Propagation Delay to Logic Low vs. Pulse Period

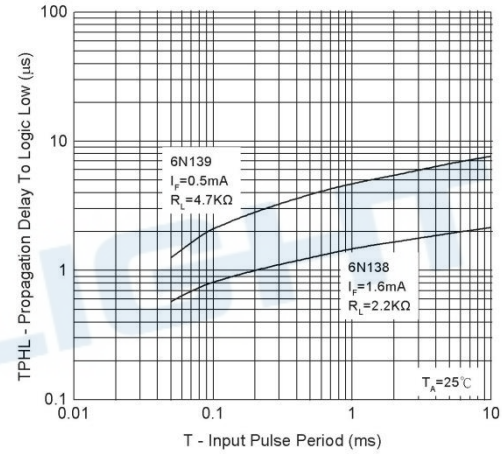


Fig.11 Propagation Delay vs. Temperature

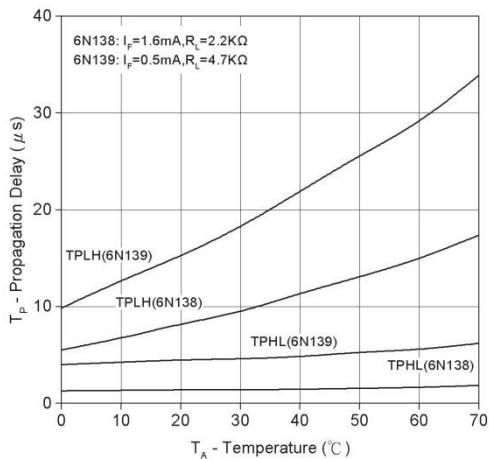


Fig.12 Logic Low Supply Current vs. Input Diode Forward Current

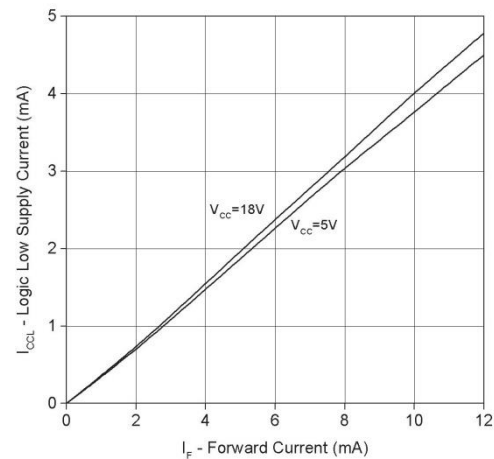


Fig. 13 Switching Time Test Circuit and Waveform

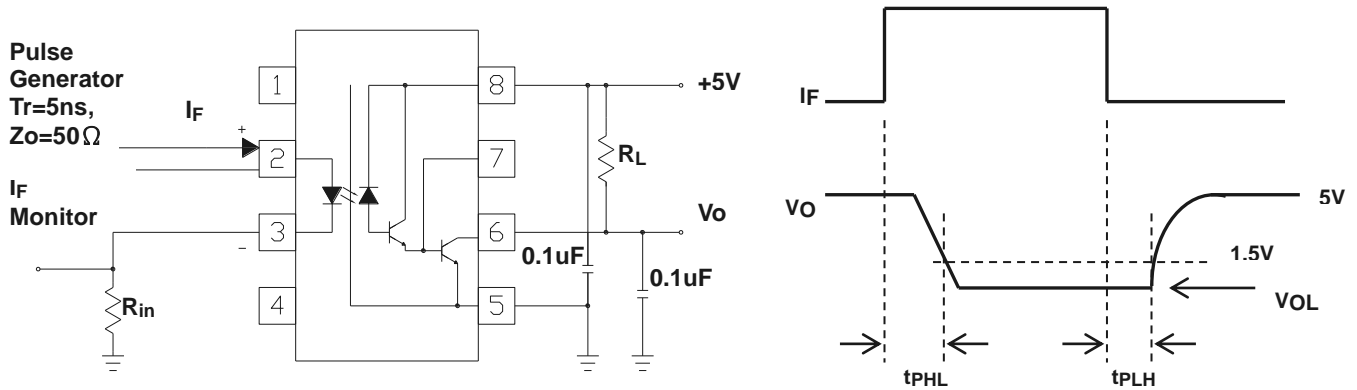
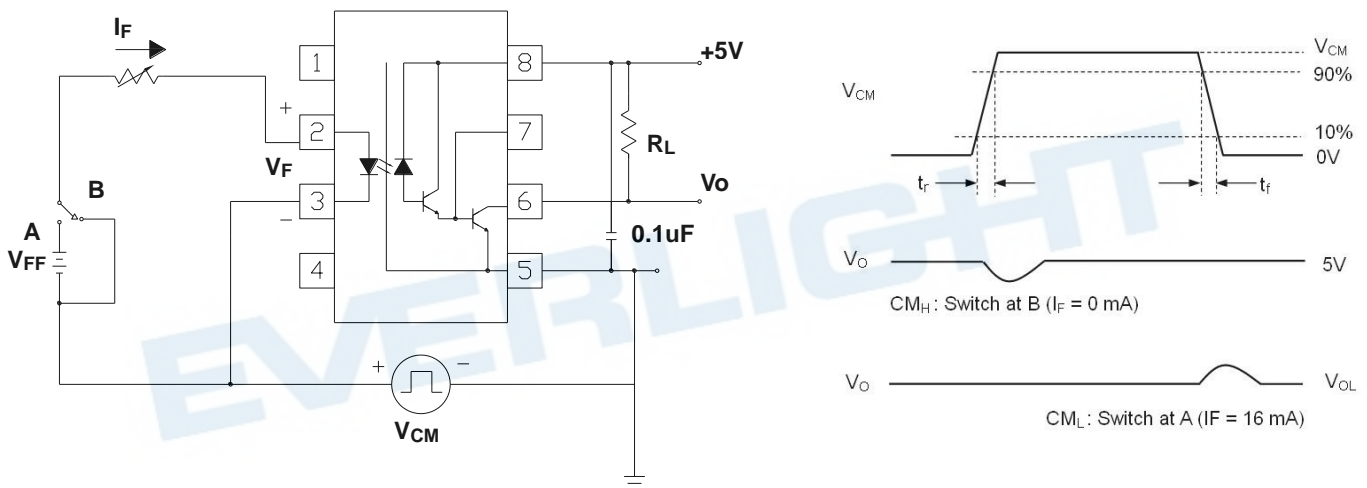


Fig. 14 Common Mode Transient Immunity Test Circuit and Waveform



Note:

*3 Common mode transient immunity in logic high level is the maximum tolerable (positive) dV_{cm}/dt on the leading edge of the common mode pulse signal V_{CM} , to assure that the output will remain in a logic high state (i.e., $V_O > 2.0V$).

Common mode transient immunity in logic low level is the maximum tolerable (negative) dV_{cm}/dt on the trailing edge of the common mode pulse signal, V_{CM} , to assure that the output will remain in a logic low state (i.e., $V_O < 0.8V$).

Order Information

Part Number

6N13XY(Z)-V

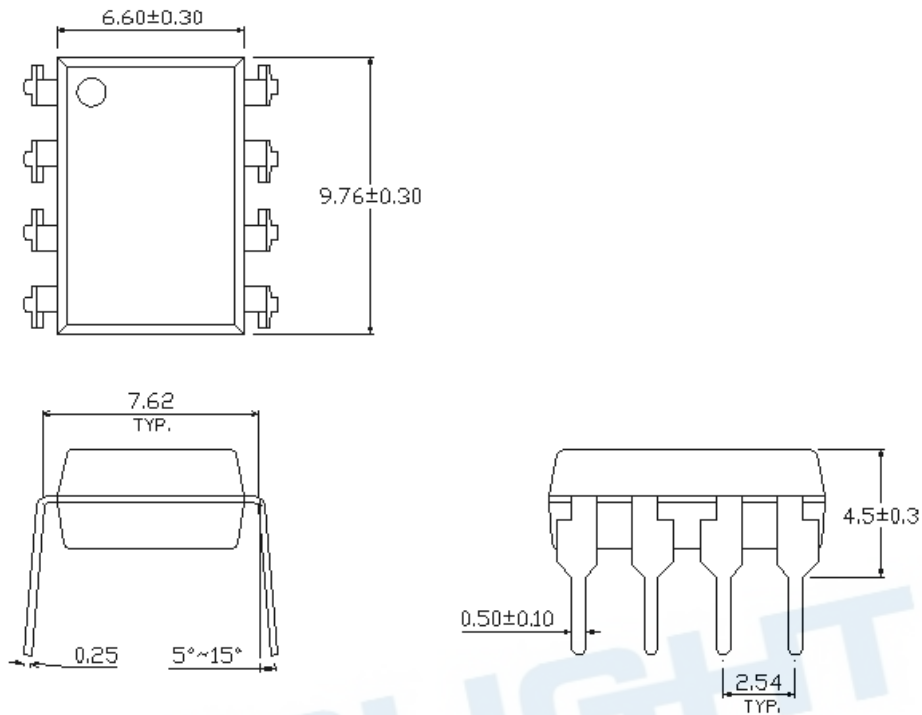
Note

- X = Part No. (X = 8 or 9)
- Y = Lead form option (S, S1, M or none)
- Z = Tape and reel option (TA, TB or none).
- V = VDE (optional)

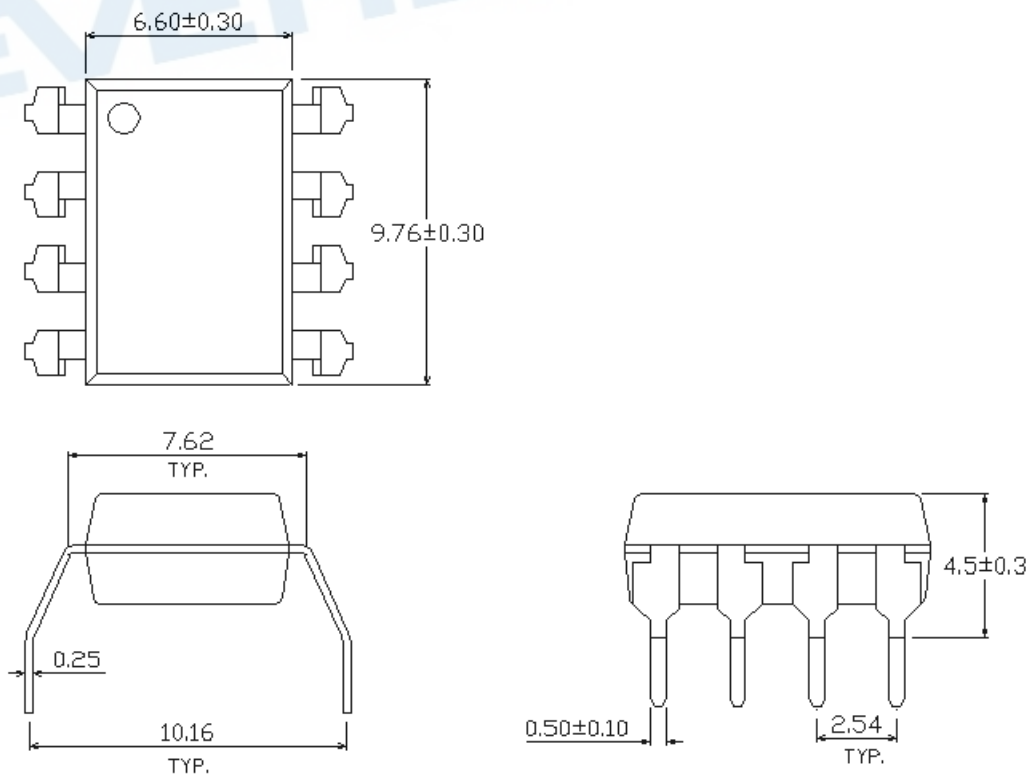
Option	Description	Packing quantity
None	Standard DIP-8	45 units per tube
M	Wide lead bend (0.4 inch spacing)	45 units per tube
S (TA)	Surface mount lead form + TA tape & reel option	1000 units per reel
S (TB)	Surface mount lead form + TB tape & reel option	1000 units per reel
S1 (TA)	Surface mount lead form (low profile) + TA tape & reel option	1000 units per reel
S1 (TB)	Surface mount lead form (low profile) + TB tape & reel option	1000 units per reel

Package Dimension
(Dimensions in mm)

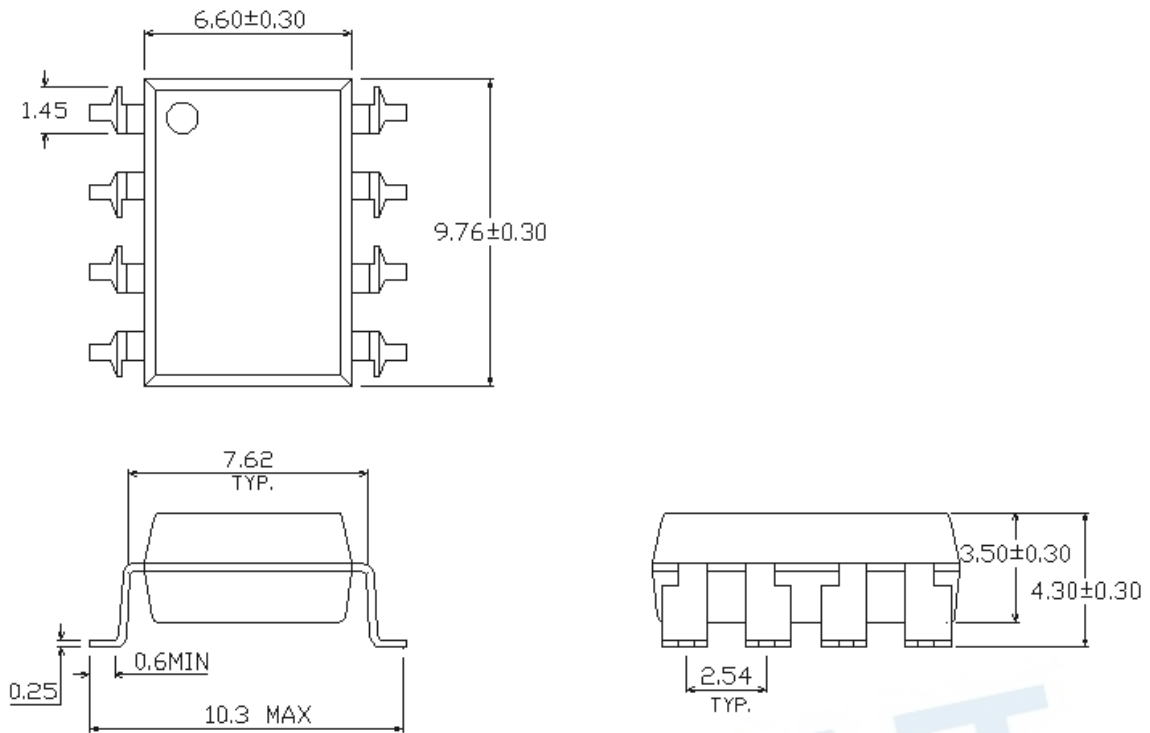
Standard DIP Type



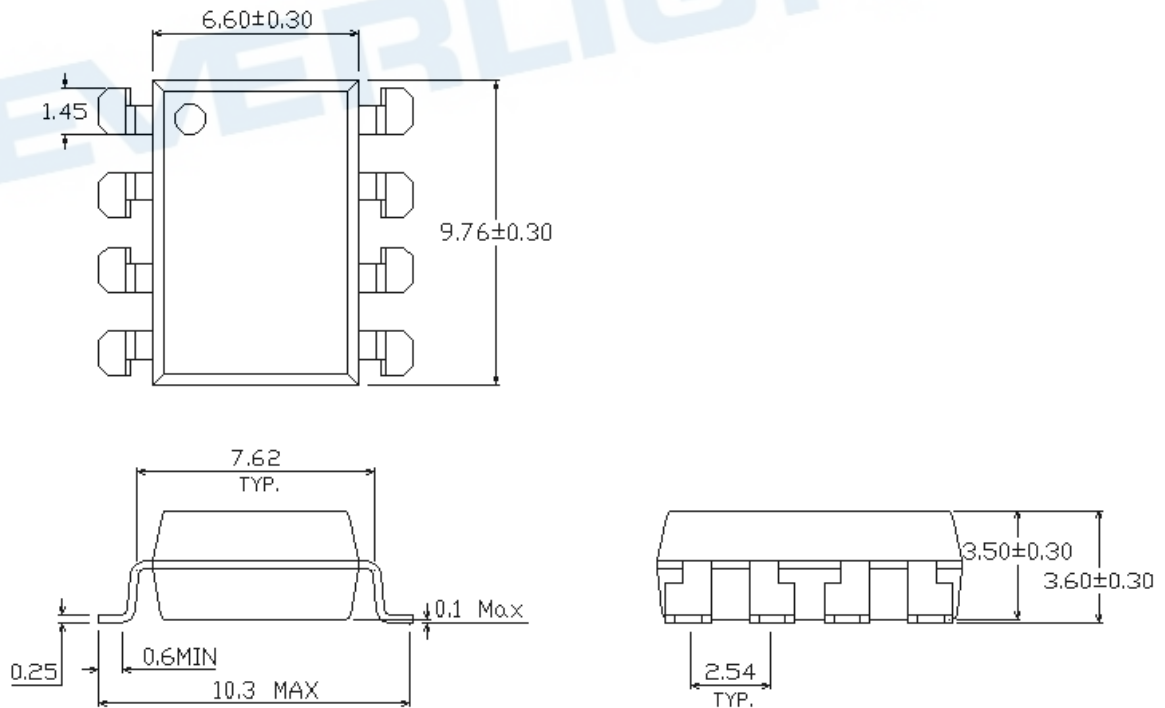
Option M Type



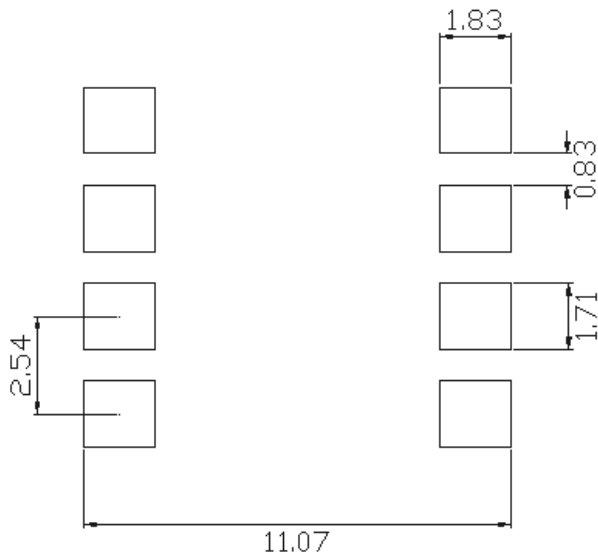
Option S Type



Option S1 Type



Recommended pad layout for surface mount leadform

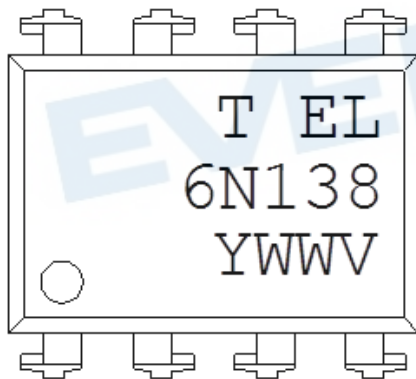


Notes.

Suggested pad dimension is just for reference only.

Please modify the pad dimension based on individual need.

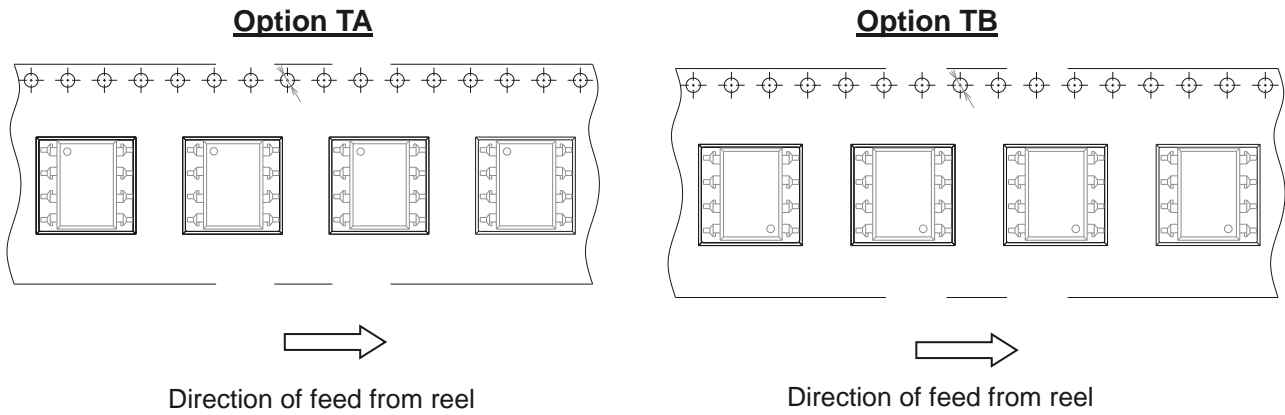
Device Marking



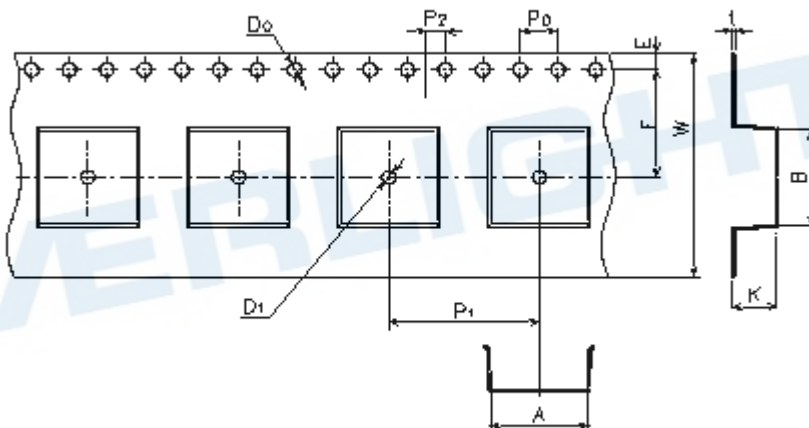
Notes

- | | |
|-------|--|
| T | denotes Factory
No code : made in China
T : made in Taiwan |
| EL | denotes EVERLIGHT |
| 6N138 | denotes Device Number |
| Y | denotes 1 digit Year code |
| WW | denotes 2 digit Week code |
| V | denotes VDE (optional) |

Tape & Reel Packing Specifications



Tape dimension

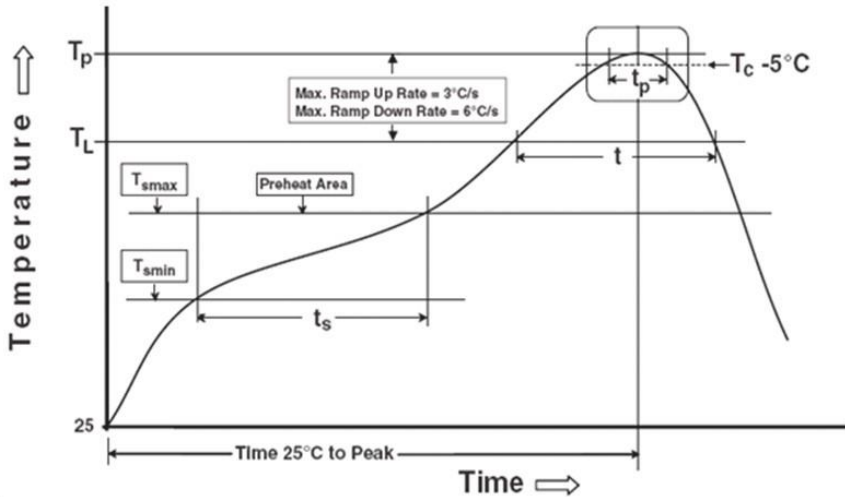


Dimension No.	A	B	Do	D1	E	F
Dimension(mm)	10.4±0.1	10.0±0.1	1.5+0.1/-0	1.5±0.25	1.75±0.1	7.5±0.1
Dimension No.	Po	P1	P2	t	W	K
Dimension(mm)	4.0±0.1	12.0±0.1	2.0±0.05	0.4±0.05	16.0±0.3	4.5±0.1

Precautions for Use

1. Soldering Condition

1.1 (A) Maximum Body Case Temperature Profile for evaluation of Reflow Profile



Note:

Reference: IPC/JEDEC J-STD-020D

Preheat

Temperature min (T_{smin})	150 °C
Temperature max (T_{smax})	200°C
Time (T_{smin} to T_{smax}) (t_s)	60-120 seconds
Average ramp-up rate (T_{smax} to T_p)	3 °C/second max

Other

Liquidus Temperature (T_L)	217 °C
Time above Liquidus Temperature (t_L)	60-100 sec
Peak Temperature (T_p)	260°C
Time within 5 °C of Actual Peak Temperature: $T_p - 5^\circ\text{C}$	30 s
Ramp- Down Rate from Peak Temperature	6°C /second max.
Time 25°C to peak temperature	8 minutes max.
Reflow times	3 times

DISCLAIMER

1. Above specification may be changed without notice. EVERLIGHT will reserve authority on material change for above specification.
2. The graphs shown in this datasheet are representing typical data only and do not show guaranteed values.
3. When using this product, please observe the absolute maximum ratings and the instructions for use outlined in these specification sheets. EVERLIGHT assumes no responsibility for any damage resulting from use of the product which does not comply with the absolute maximum ratings and the instructions included in these specification sheets.
4. These specification sheets include materials protected under copyright of EVERLIGHT. Reproduction in any form is prohibited without the specific consent of EVERLIGHT.
5. This product is not intended to be used for military, aircraft, automotive, medical, life sustaining or life saving applications or any other application which can result in human injury or death. Please contact authorized Everlight sales agent for special application request.
6. Statements regarding the suitability of products for certain types of applications are based on Everlight's knowledge of typical requirements that are often placed on Everlight products in generic applications. Such statements are not binding statements about the suitability of products for a particular application. It is the customer's responsibility to validate that a particular product with the properties described in the product specification is suitable for use in a particular application. Parameters provided in datasheets and/or specifications may vary in different applications and performance may vary over time. All operating parameters, including typical parameters, must be validated for each customer application by the customer's technical experts. Product specifications do not expand or otherwise modify Everlight's terms and conditions of purchase, including but not limited to the warranty expressed therein.