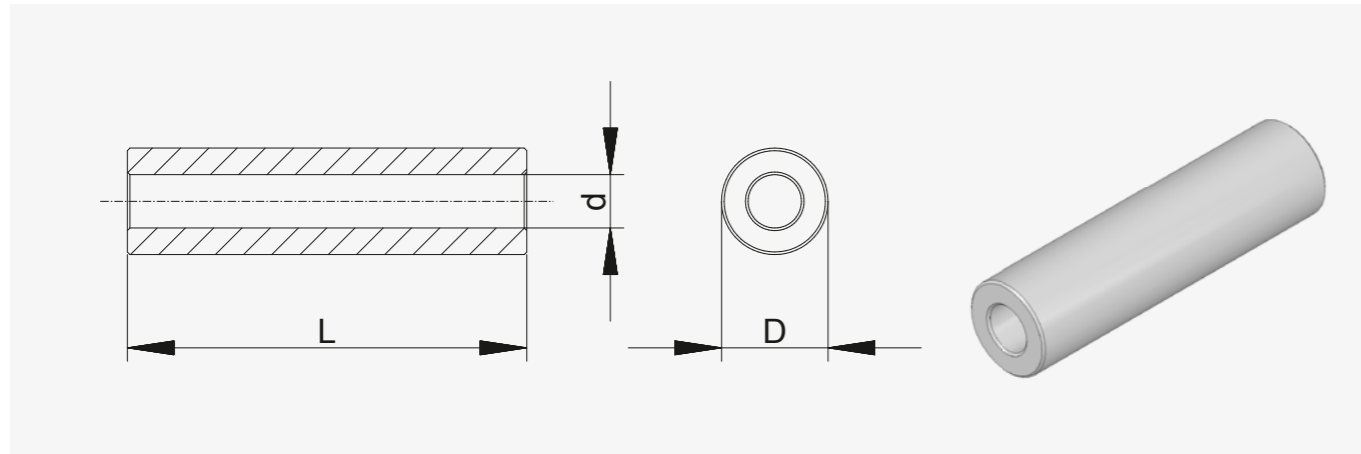


# Spacer sleeves

Metal



## Spacer sleeves

- Type** round
- Material** Brass CuZn39Pb3 – nickel-plated  
 Brass CuZn39Pb3 – uncoated\*  
 Steel 11SMnPb30 – zinc-plated  
 Steel 11SMnPb30 – uncoated\*  
 Aluminium AlCuBiPb – uncoated  
 Stainless steel 1.4305 – uncoated
- MOQ** 1000 pcs



\* see page 6

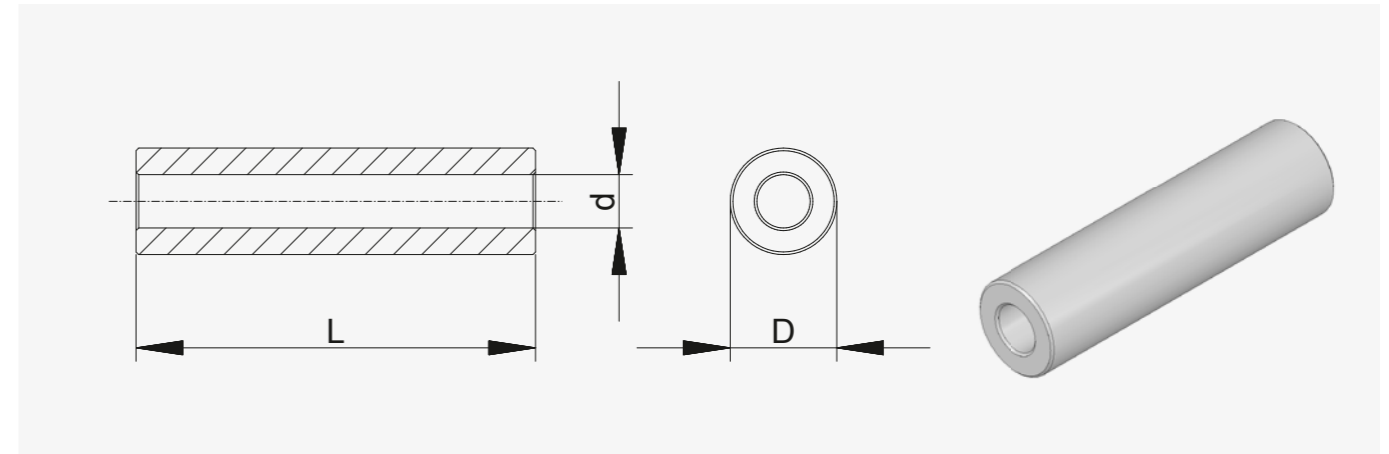
Tolerance for length dimensions: +/- 0.1 mm

Type	Material				External diameter D (mm)	/	Internal diameter d (mm)	x	Length in mm (L)
	Brass 1	Steel 2	Aluminium 3	Stainless steel 4					
Spacer sleeves					4-36 mm		free selectable		1-60 mm
		e.g. steel			e.g. 4		e.g. 2.1		e.g. 10

Order sample: **324/2.1 x 10** = spacer sleeve / steel / external diameter 4mm / internal diameter 2.1mm x length 10 mm

# Spacer sleeves

Polyamide



## Spacer sleeves

- Type** round
- Material** polyamide 6.6 GV\*
- Colour** black
- MOQ** 1000 pcs

Contact resistance: ~ 10<sup>12</sup> Ohm/cm  
 Dielectric strength: 80 kV / mm  
 Tolerance for length dimensions: +/- 0.1 mm  
 Heat resistance: -40° C to +110° C

Order number	External diameter D (mm)	Internal diameter d (mm)	Standard lengths in mm (L)
384 / 1.5 x (length)	4	1.5	from 2 mm to 20 mm
384 / 2.2 x	4	2.2	from 1 mm to 50 mm
385 / 2.7 x	5	2.7	from 2 mm to 55 mm
386 / 3.4 x	6	3.4	from 2 mm to 60 mm
388 / 4.2 x	8	4.2	from 2 mm to 60 mm
3810 / 5.2 x	10	5.2	from 2 mm to 57 mm
3810 / 6.2 x	10	6.2	from 2 mm to 55 mm
3812 / 8.2 x	12	8.2	from 2 mm to 63 mm
3816 / 10.4 x	16	10.4	from 2 mm to 50 mm

\*GV: Glass-fiber reinforced

Order sample: 386 / 3.4 x 25 = DH / polyamide / 6 (3.4) x 25

