

# 2JW1115-C952B

868/915 MHz ISM Connector Mount

## Key Features

### 868/915 MHz ISM

- 863-870 MHz

- 902-928 MHz

Connector Mount

High Performance

Ground Plane Independent

Hinged Connector

Dimensions 135 × 19 × 10 mm



## 1. Antenna and electrical specifications

Parameters	868/915 MHz ISM Antenna	
<b>Standards</b>	ZigBee, ISM, SIGFOX, LoRa	
<b>Band (MHz)</b>	868	915
<b>Frequency (MHz)</b>	863-870	902-928
<b>Return Loss (dB)</b>	~-15.1	~-6.1
<b>VSWR</b>	~1.5:1	~3.0:1
<b>Efficiency (%)</b>	~70.0	~70.9
<b>Peak Gain (dBi)</b>	~-2.3	~-3.3
<b>Average Gain (dB)</b>	~-1.6	~-1.5
<b>Impedance (Ohm)</b>	50	
<b>Polarisation</b>	Linear	
<b>Radiation Pattern</b>	Omni-Directional	
<b>Max. Input Power (W)</b>	25	
<b>Connector Type</b>	SMA-Male Standard	

### Antenna Measurement Conditions:

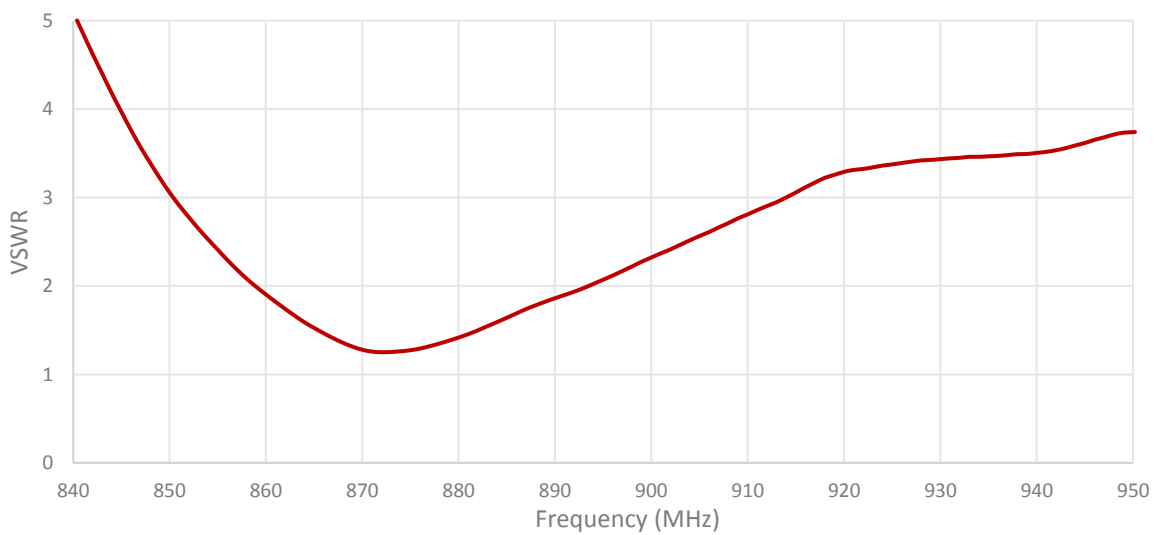
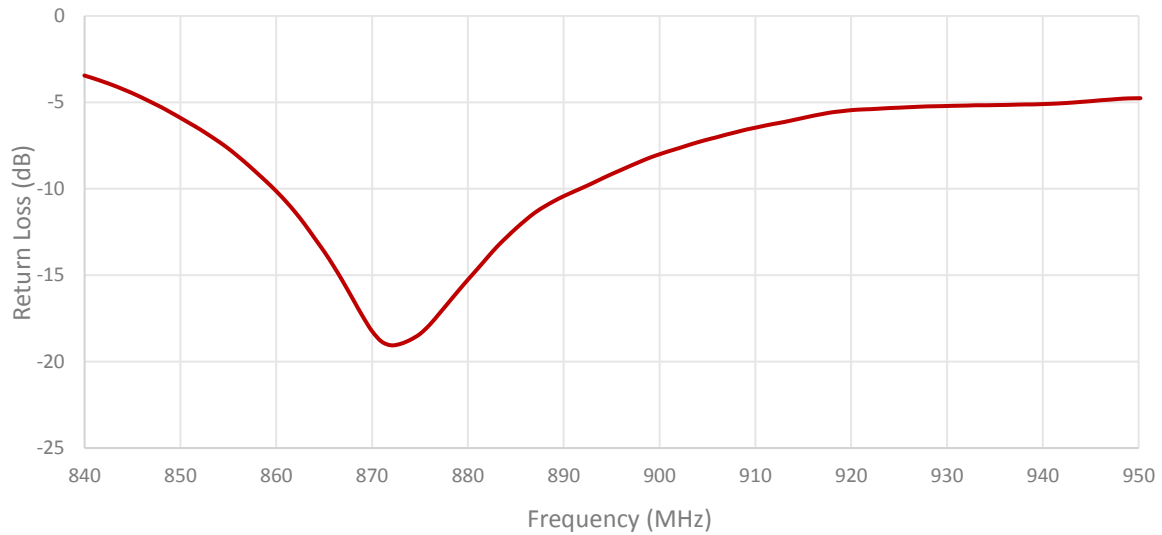
Free Space

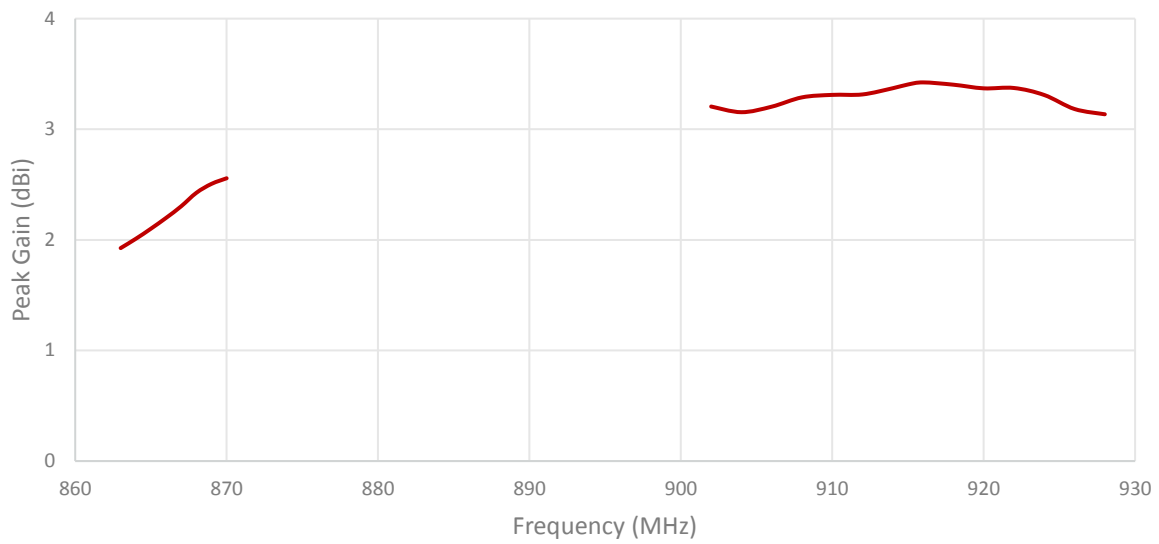
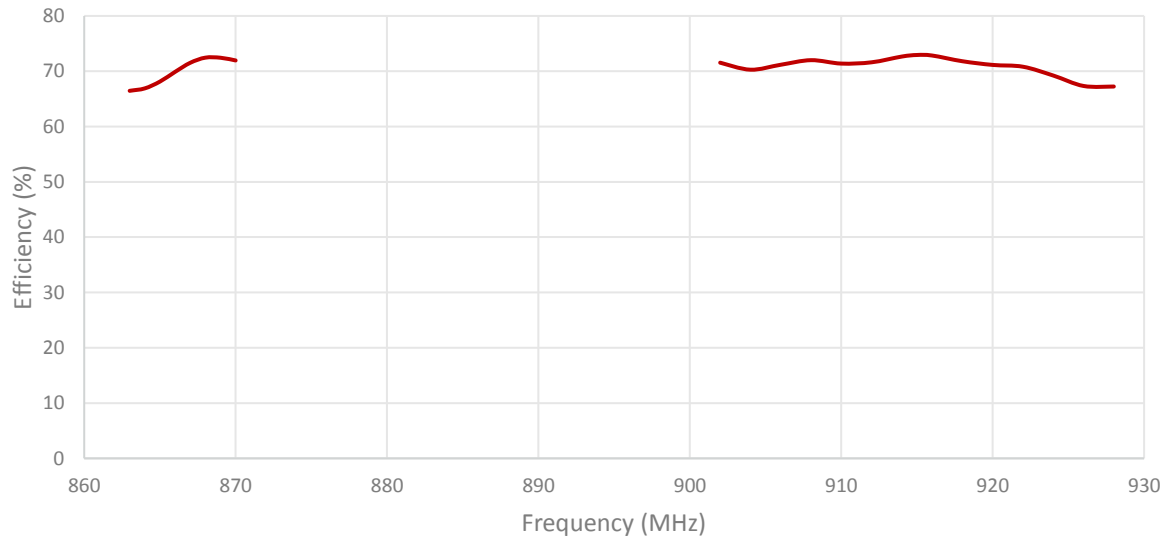
Measured in Certified CTIA 3D Anechoic Chamber

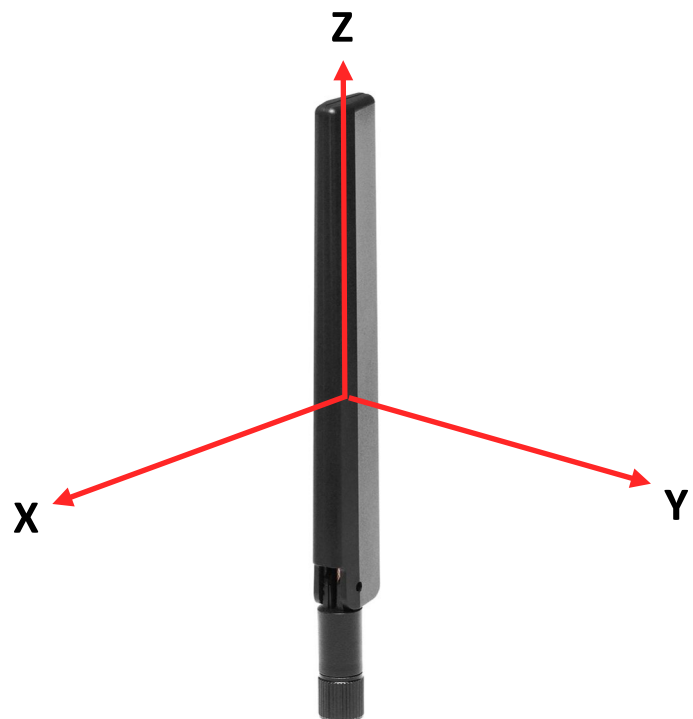
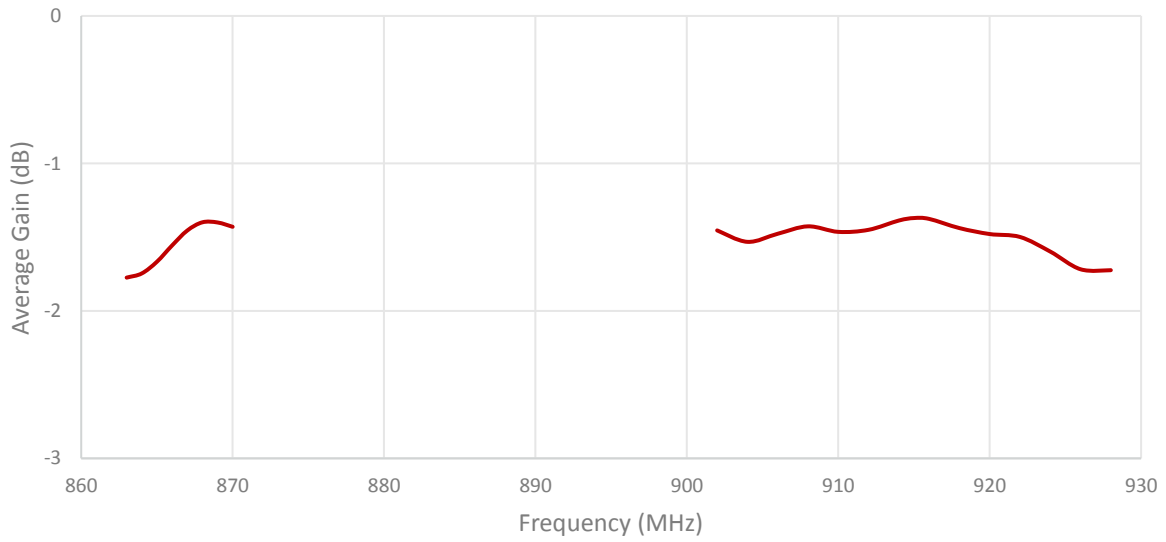
## 2. Mechanical and environmental specifications

Specifications	2JW1115-C952B
<b>Mounting Type</b>	Connector Mount
<b>Dimensions (mm)</b>	135 × 19 × 10
<b>Radome</b>	ASA
<b>Radome color</b>	Black
<b>Connector Feature</b>	Hinged
<b>Operating Temperature (C)</b>	-40 to +85
<b>Storage Temperature (C)</b>	-40 to +85
<b>Substance Compliance</b>	RoHS

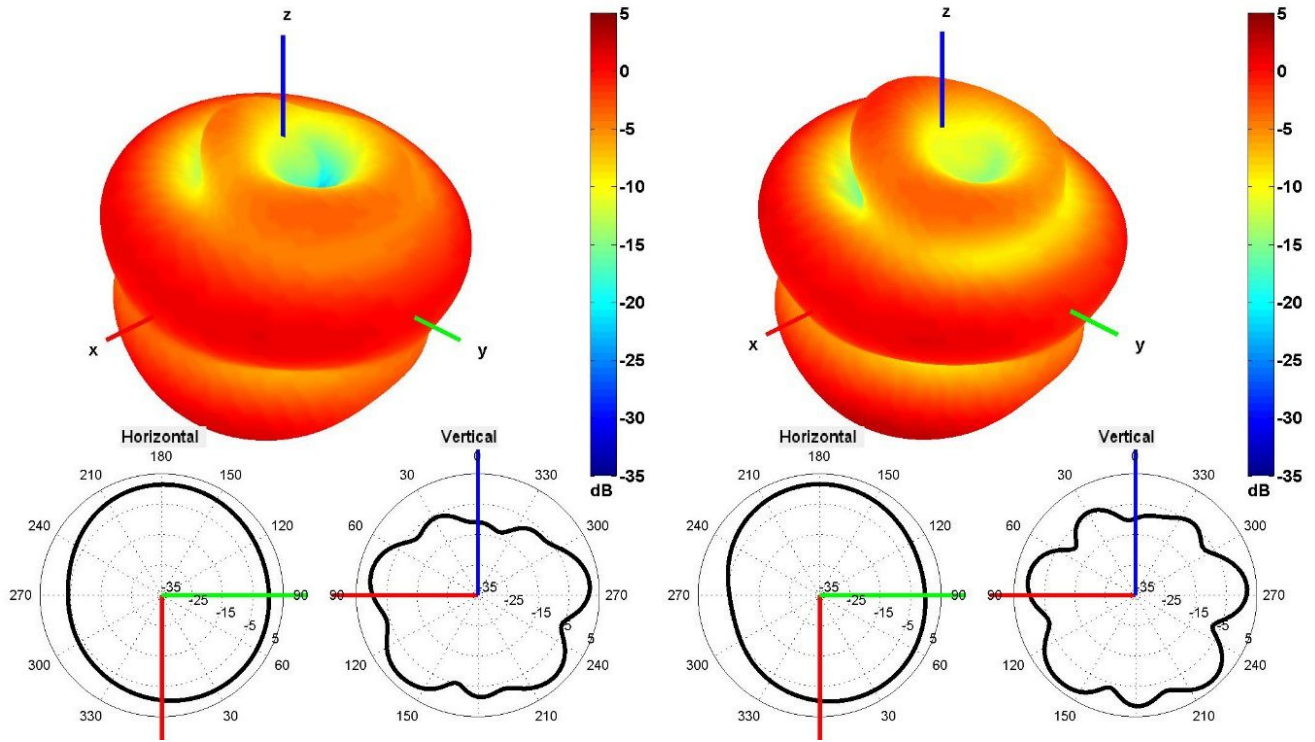
## 3. Antenna parameters







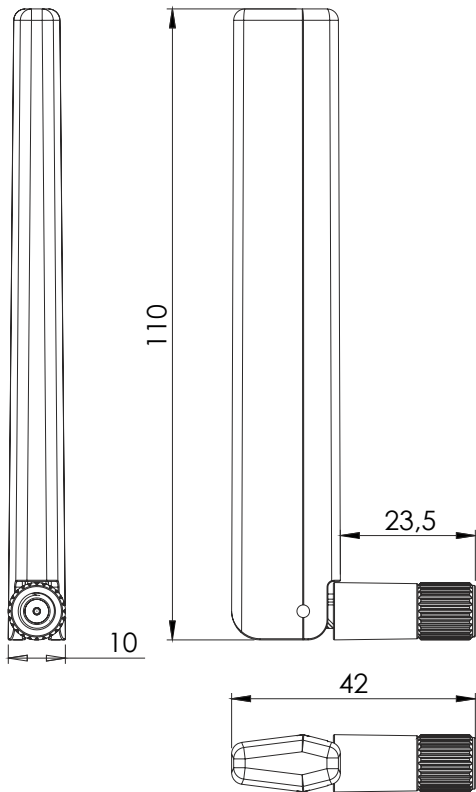
Radiation pattern reference



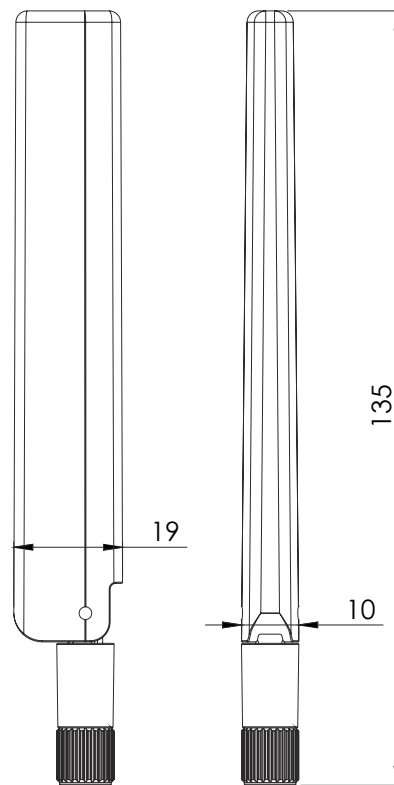
868 and 915 MHz Radiation pattern

## 4. Antenna drawings

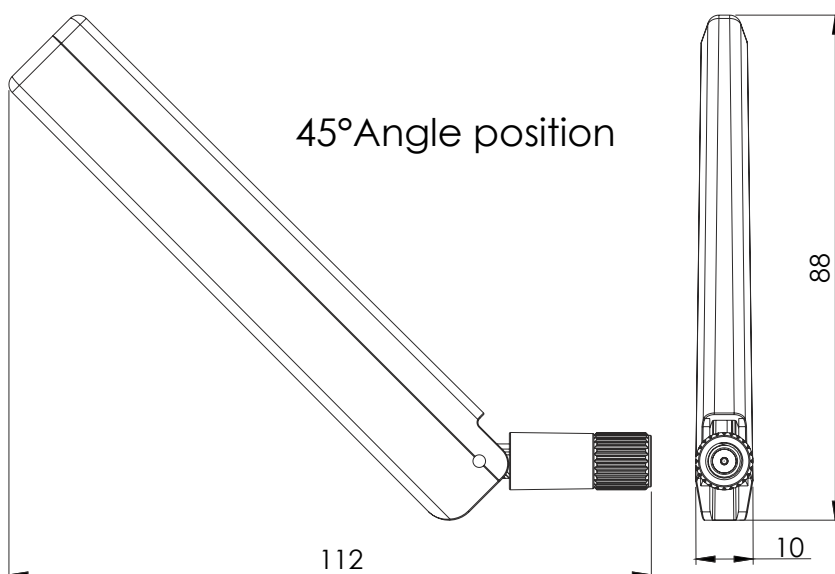
Right Angle position



Straight position



45° Angle position



5. Antenna Images

